

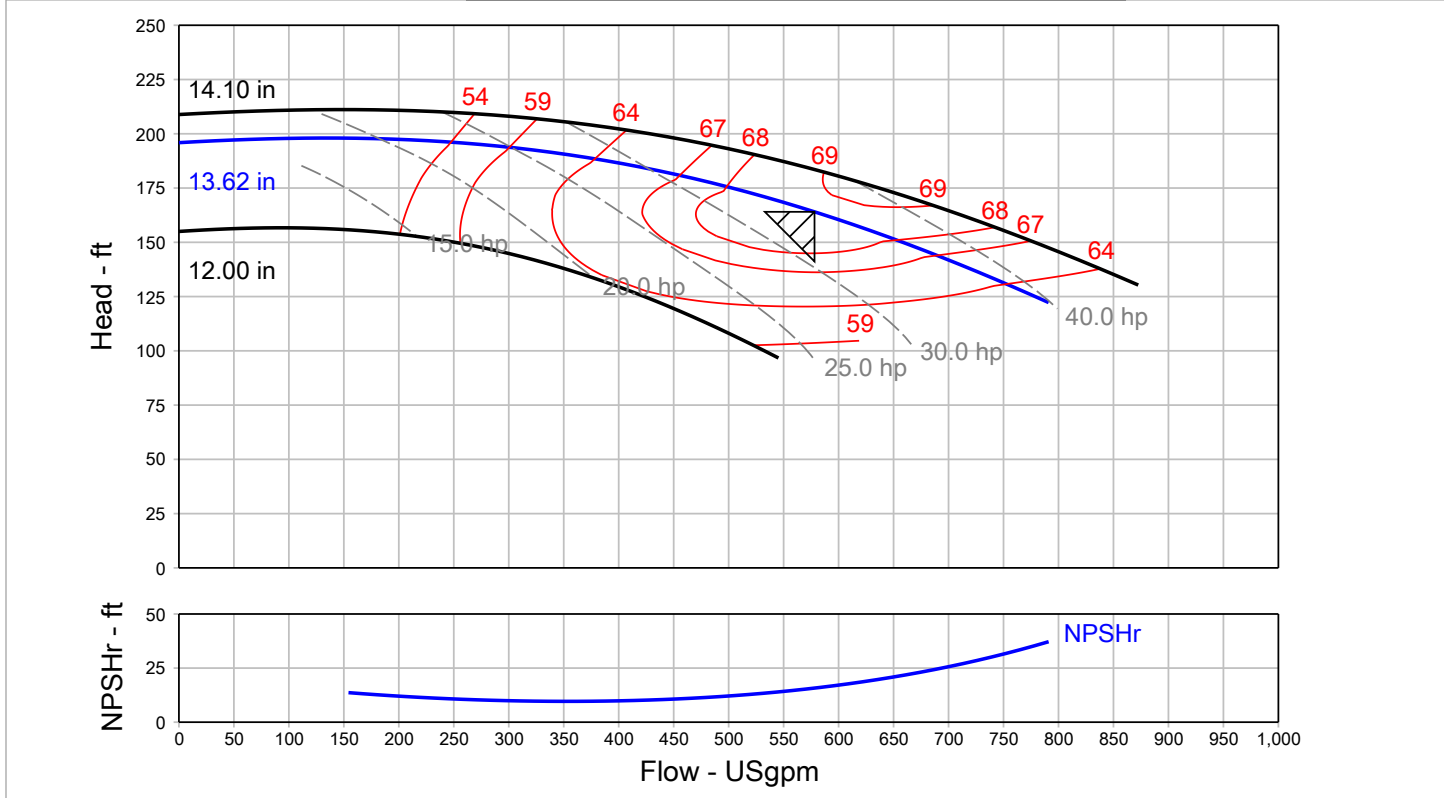
Pump Performance Datasheet

Customer :	Quote Number / ID :	1471203
Customer ref. / PO :	Model :	40159 VLS
Tag Number : 001	Stages :	1
Service :	Based on curve number :	VLS_40159_4P Rev May22
Quantity : 1	Basic model number :	-
	Date last saved :	01/20/2023 1:50 AM

Operating Conditions		Liquid	
Flow, rated	: 578.1 USgpm	Liquid type	: Cold Water
Differential head / pressure, rated (requested)	: 164.0 ft	Additional liquid description	:
Differential head / pressure, rated (actual)	: 164.0 ft	Solids diameter, max	: 0.00 in
Suction pressure, rated / max	: 0.00 / 0.00 psi.g	Solids concentration, by volume	: 0.00 %
NPSH available, rated	: Ample	Temperature, max	: 68.00 deg F
Site Supply Frequency	: 60 Hz	Fluid density, rated / max	: 1.000 / 1.000 SG
		Viscosity, rated	: 1.00 cP
		Vapor pressure, rated	: 0.34 psi.a

Performance		Material	
Speed, rated	: 1780 rpm	Material selected	: Ductile iron
Impeller diameter, rated	: 13.62 in		
Impeller diameter, maximum	: 14.10 in		
Impeller diameter, minimum	: 12.00 in		
Efficiency	: 68.75 %		
NPSH required / margin required	: 15.75 / 0.00 ft		
nq (imp. eye flow) / S (imp. eye flow)	: 18 / 92 Metric units		
MCSF	: 167.5 USgpm		
Head, maximum, rated diameter	: 198.0 ft		
Head rise to shutoff	: 19.43 %		
Flow, best eff. point	: 578.1 USgpm		
Flow ratio, rated / BEP	: 100.00 %		
Diameter ratio (rated / max)	: 96.60 %		
Head ratio (rated dia / max dia)	: 89.37 %		
Cq/Ch/Ce/Cn [ANSI/HI 9.6.7-2010]	: 1.00 / 1.00 / 1.00 / 1.00		
Selection status	: Acceptable		

Energy Indexes	
PEI (CL)	: 1.00
ER (CL)	: 0



Grundfos Series VLS - In-Line Centrifugal Pump, Split Coupled

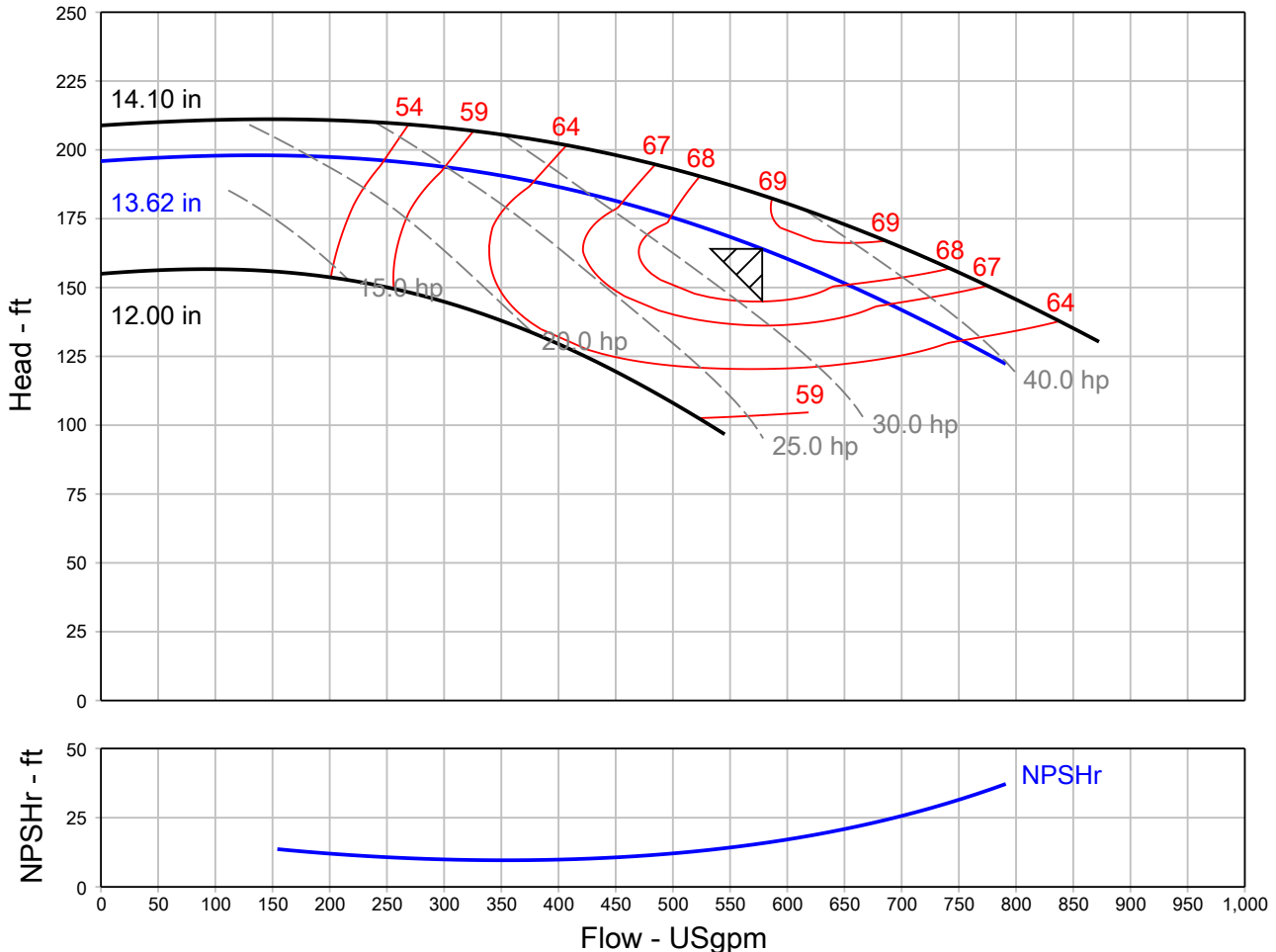
QUOTE NUMBER / ID 1471203	UNIT TAG 001	QUANTITY 1
REPRESENTATIVE	SERVICE	
ENGINEER	SUBMITTED BY	DATE
CONTRACTOR	APPROVED BY	DATE
	ORDER #	DATE



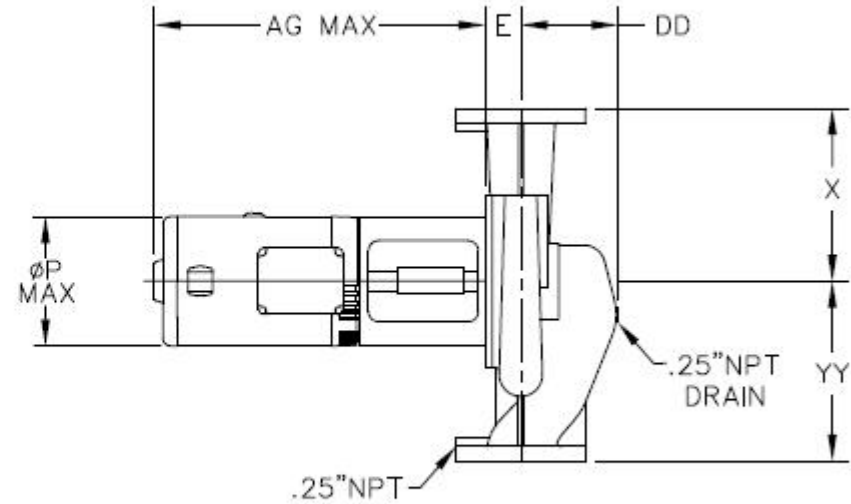
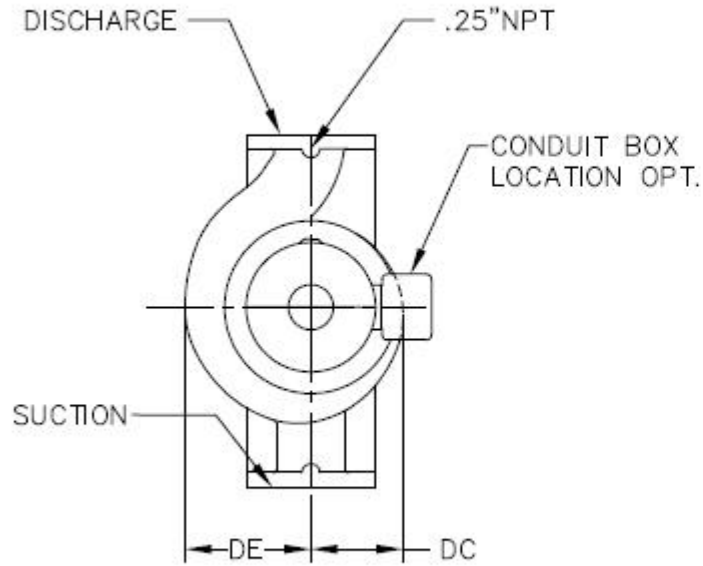
VLS 40159
1780 rpm

Part Number N/A

Conditions of Service		Pump Data		Motor Data	
Flow	578.1 USgpm	Impeller Diameter	13.62 in	Motor HP	40 HP
Head	164.0 ft	Max. Imp. Dia.	14.10 in	BHP	34.82 HP
Liquid	Cold Water	Min. Imp. Dia.	12.00 in	Enclosure	TEFC
Temperature	68.00 deg F	Efficiency	68.75 %	Voltage	230/460 V
NPSHr	15.75 ft	Suction	4 in.	Phase	3 Phase
Viscosity	1.00 cP	Discharge	4 in.	Cycle	60
Specific Gravity	1.000 SG	PEI (CL)	1	Frame Size	324TC
		ER (CL)	0		



Grundfos Series VLS - In-Line Centrifugal Pump, Split Coupled



NOT FOR CONSTRUCTION, unless certified and referenced on order

Units	Frame	S x D	AG (Max)	DC	DD	DE	E	P (Max)	X	YY	Weight
inches	324TC	4 X 4	47.00	9.25	9.73	11.22	1.69	21.00	17.00	17.00	TBD