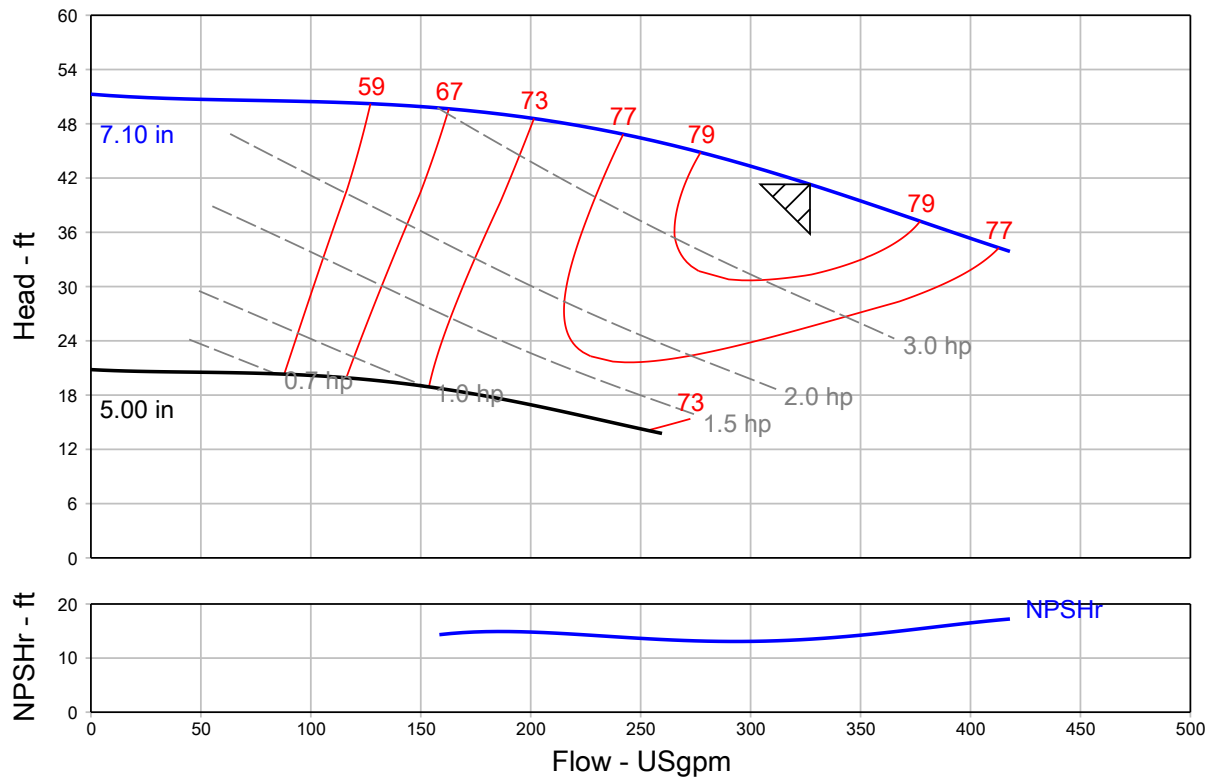


Pump Performance Datasheet

Customer :	Quote Number / ID :	1471203
Customer ref. / PO :	Model :	40707 VLS
Tag Number : 001	Stages :	1
Service :	Based on curve number :	VLS_40707_4P Rev Aug21
Quantity : 1	Basic model number :	-
	Date last saved :	01/20/2023 2:04 AM

Operating Conditions		Liquid	
Flow, rated	: 327.0 USgpm	Liquid type	: Cold Water
Differential head / pressure, rated (requested)	: 41.31 ft	Additional liquid description	:
Differential head / pressure, rated (actual)	: 41.31 ft	Solids diameter, max	: 0.00 in
Suction pressure, rated / max	: 0.00 / 0.00 psi.g	Solids concentration, by volume	: 0.00 %
NPSH available, rated	: Ample	Temperature, max	: 68.00 deg F
Site Supply Frequency	: 60 Hz	Fluid density, rated / max	: 1.000 / 1.000 SG
		Viscosity, rated	: 1.00 cP
		Vapor pressure, rated	: 0.34 psi.a
Performance		Material	
Speed, rated	: 1760 rpm	Material selected	: Cast iron - 125#
Impeller diameter, rated	: 7.10 in	Pressure Data	
Impeller diameter, maximum	: 7.10 in	Maximum working pressure	: 22.19 psi.g
Impeller diameter, minimum	: 5.00 in	Maximum allowable working pressure	: 175.0 psi.g
Efficiency	: 79.98 %	Maximum allowable suction pressure	: 175.0 psi.g
NPSH required / margin required	: 13.49 / 0.00 ft	Hydrostatic test pressure	: 263.0 psi.g
nq (imp. eye flow) / S (imp. eye flow)	: 38 / 88 Metric units	Driver & Power Data (@Max density)	
MCSF	: 94.04 USgpm	Motor sizing specification	: Max power (non-overloading)
Head, maximum, rated diameter	: 51.27 ft	Margin over specification	: 0.00 %
Head rise to shutoff	: 24.12 %	Service factor	: 1.00
Flow, best eff. point	: 327.0 USgpm	Power, hydraulic	: 3.41 hp
Flow ratio, rated / BEP	: 100.00 %	Rated power (based on duty point)	: 4.26 hp
Diameter ratio (rated / max)	: 100.00 %	Max power (non-overloading)	: 4.67 hp
Head ratio (rated dia / max dia)	: 100.00 %	Nameplate motor rating	: 5.00 hp / 3.73 kW
Cq/Ch/Ce/Cn [ANSI/HI 9.6.7-2010]	: 1.00 / 1.00 / 1.00 / 1.00		
Selection status	: Acceptable		
Energy Indexes			
PEI (CL)	: 0.94		
ER (CL)	: 6		



Grundfos Series VLS - In-Line Centrifugal Pump, Split Coupled

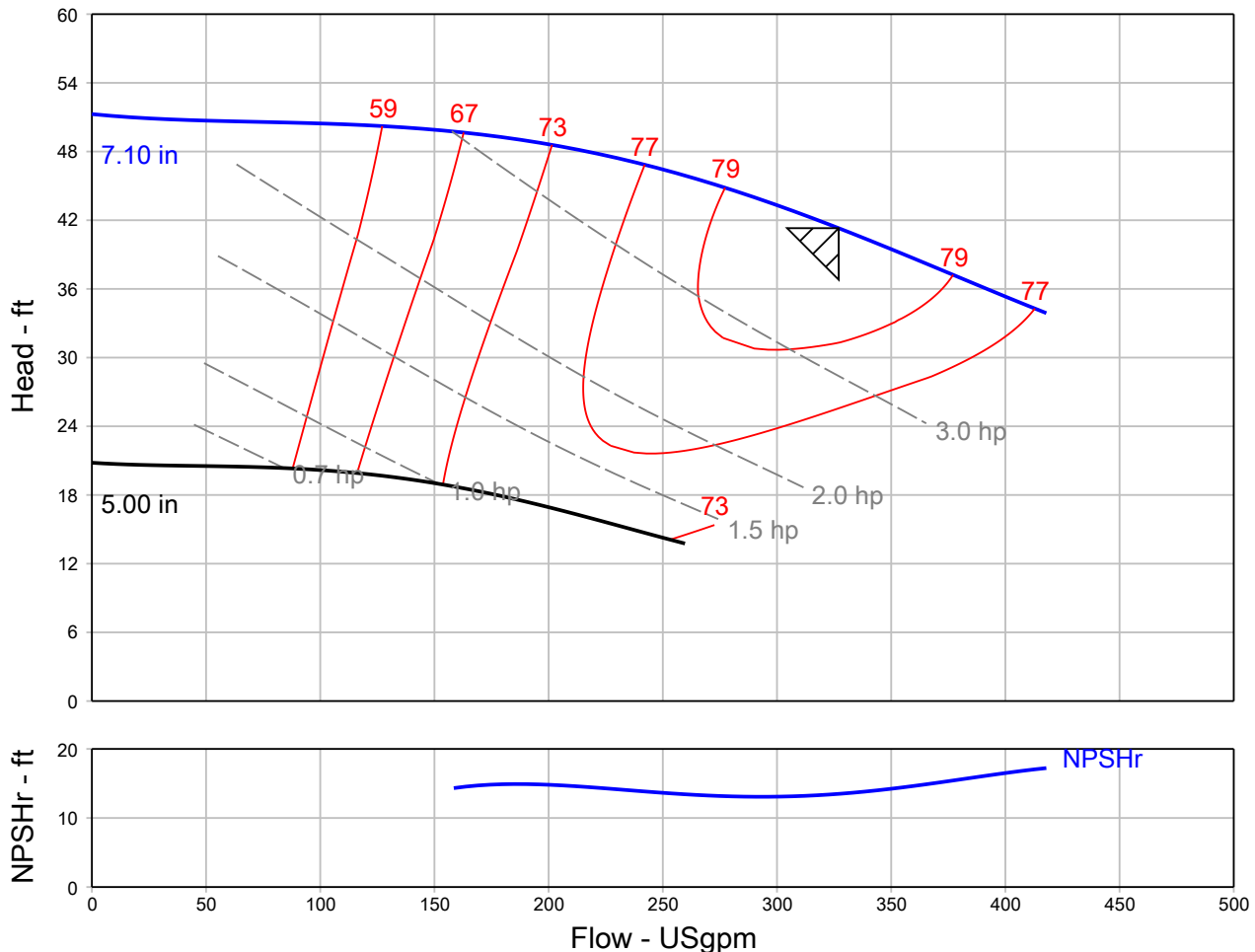
QUOTE NUMBER / ID 1471203	UNIT TAG 001	QUANTITY 1
REPRESENTATIVE	SERVICE	
ENGINEER	SUBMITTED BY	DATE
CONTRACTOR	APPROVED BY	DATE
	ORDER #	DATE



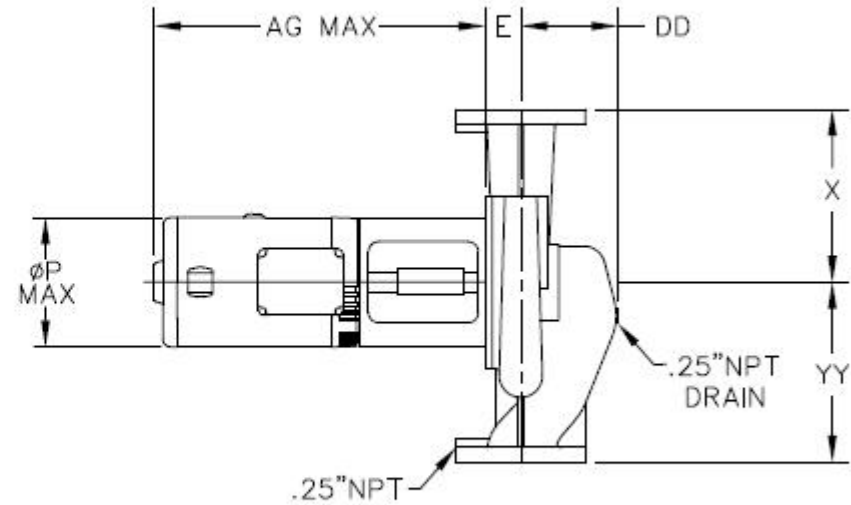
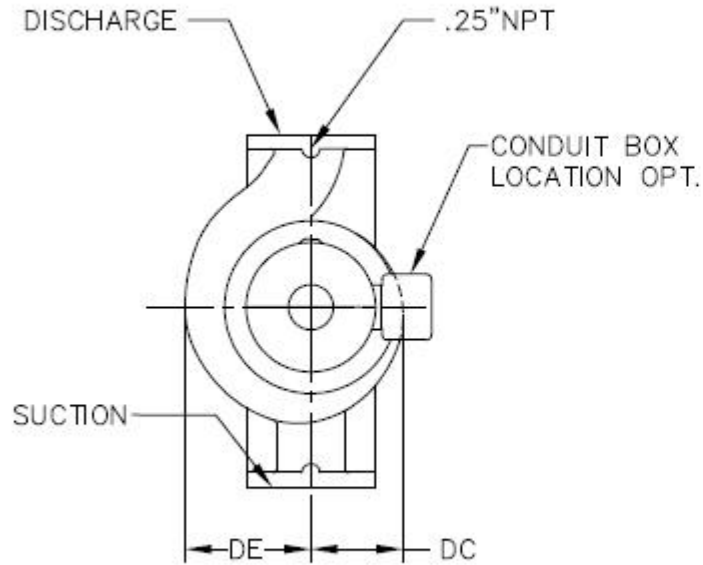
VLS 40707
1760 rpm

Part Number N/A

Conditions of Service		Pump Data		Motor Data	
Flow	327.0 USgpm	Impeller Diameter	7.10 in	Motor HP	5 HP
Head	41.31 ft	Max. Imp. Dia.	7.10 in	BHP	4.26 HP
Liquid	Cold Water	Min. Imp. Dia.	5.00 in	Enclosure	TEFC
Temperature	68.00 deg F	Efficiency	79.98 %	Voltage	230/460 V
NPSHr	13.49 ft	Suction	4 in.	Phase	3 Phase
Viscosity	1.00 cP	Discharge	4 in.	Cycle	60
Specific Gravity	1.000 SG	PEI (CL)	0.94	Frame Size	184TC
		ER (CL)	6		



Grundfos Series VLS - In-Line Centrifugal Pump, Split Coupled



NOT FOR CONSTRUCTION, unless certified and referenced on order

Units	Frame	S x D	AG (Max)	DC	DD	DE	E	P (Max)	X	YY	Weight
inches	184TC	4 X 4	28.50	5.13	6.69	7.38	1.97	13.25	10.00	10.00	TBD