

## Pump Performance Datasheet

|                      |                         |                    |
|----------------------|-------------------------|--------------------|
| Customer :           | Quote Number / ID :     | 1471203            |
| Customer ref. / PO : | Model :                 | 30125 VLS          |
| Tag Number : 001     | Stages :                | 1                  |
| Service :            | Based on curve number : | VLS_30125_4P Rev 0 |
| Quantity : 1         | Basic model number :    | -                  |
|                      | Date last saved :       | 01/19/2023 3:09 PM |

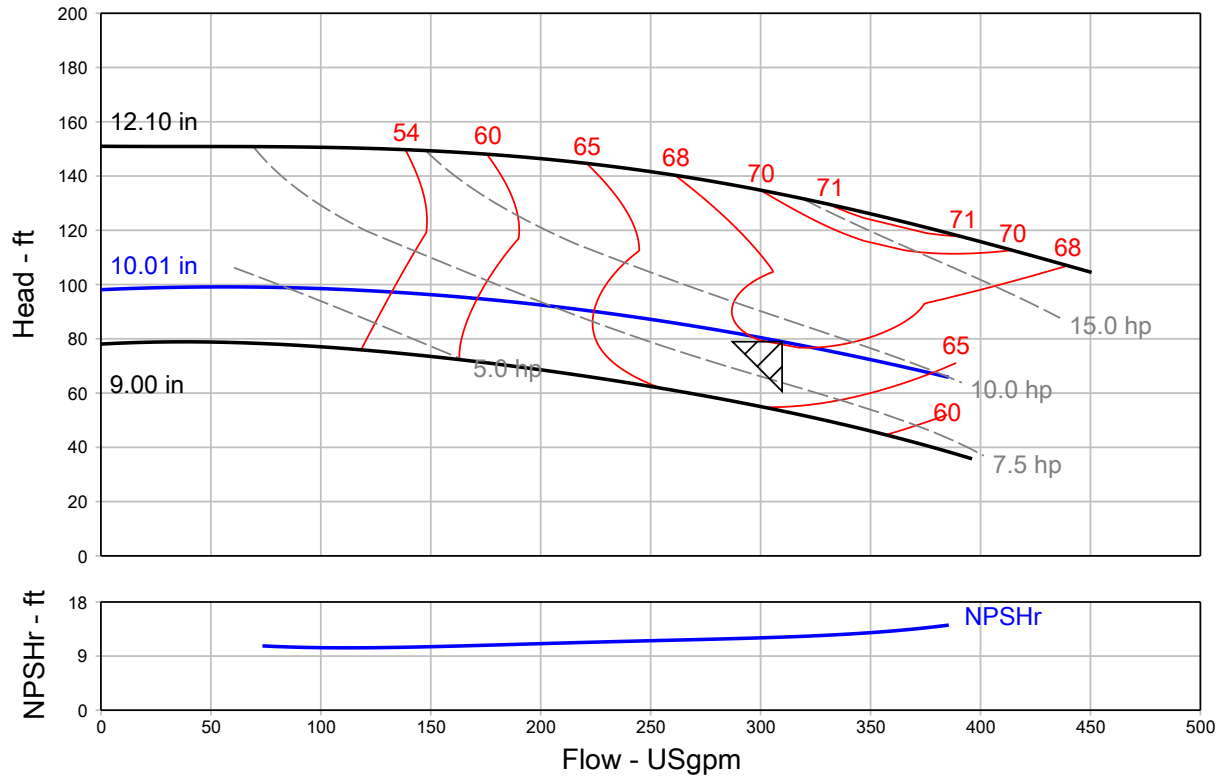
| Operating Conditions                                       | Liquid  |
|--|---|
| Flow, rated : 309.8 USgpm                                  | Liquid type : Cold Water                      |
| Differential head / pressure, rated (requested) : 78.95 ft | Additional liquid description :               |
| Differential head / pressure, rated (actual) : 78.95 ft    | Solids diameter, max : 0.00 in                |
| Suction pressure, rated / max : 0.00 / 0.00 psi.g          | Solids concentration, by volume : 0.00 %      |
| NPSH available, rated : Ample                              | Temperature, max : 68.00 deg F                |
| Site Supply Frequency : 60 Hz                              | Fluid density, rated / max : 1.000 / 1.000 SG |
|  | Viscosity, rated : 1.00 cP                    |
|  | Vapor pressure, rated : 0.34 psi.a            |

| Performance   | Material                             |
|---|--------------------------------------|
| Speed, rated : 1780 rpm                                       | Material selected : Cast iron - 125# |
| Impeller diameter, rated : 10.01 in                           |                                      |
| Impeller diameter, maximum : 12.10 in                         |                                      |
| Impeller diameter, minimum : 9.00 in                          |                                      |
| Efficiency : 68.11 %  |                                      |
| NPSH required / margin required : 12.15 / 0.00 ft             |                                      |
| nq (imp. eye flow) / S (imp. eye flow) : 18 / 94 Metric units |                                      |
| MCSF : 81.07 USgpm  |                                      |
| Head, maximum, rated diameter : 99.14 ft                      |                                      |
| Head rise to shutoff : 24.27 %                                |                                      |
| Flow, best eff. point : 309.8 USgpm                           |                                      |
| Flow ratio, rated / BEP : 100.00 %                            |                                      |
| Diameter ratio (rated / max) : 82.73 %                        |                                      |
| Head ratio (rated dia / max dia) : 59.26 %                    |                                      |
| Cq/Ch/Ce/Cn [ANSI/HI 9.6.7-2010] : 1.00 / 1.00 / 1.00 / 1.00  |                                      |
| Selection status : Acceptable                                 |                                      |

| Pressure Data                                    |
|--|
| Maximum working pressure : 42.91 psi.g           |
| Maximum allowable working pressure : 175.0 psi.g |
| Maximum allowable suction pressure : 175.0 psi.g |
| Hydrostatic test pressure : 263.0 psi.g          |

| Driver & Power Data (@Max density)                       |
|--|
| Motor sizing specification : Max power (non-overloading) |
| Margin over specification : 0.00 %                       |
| Service factor : 1.00                                    |
| Power, hydraulic : 6.17 hp                               |
| Rated power (based on duty point) : 9.07 hp              |
| Max power (non-overloading) : 9.99 hp                    |
| Nameplate motor rating : 10.00 hp / 7.46 kW              |

| Energy Indexes  |
|-----------------|
| PEI (CL) : 0.93 |
| ER (CL) : 7     |



## Grundfos Series VLS - In-Line Centrifugal Pump, Split Coupled

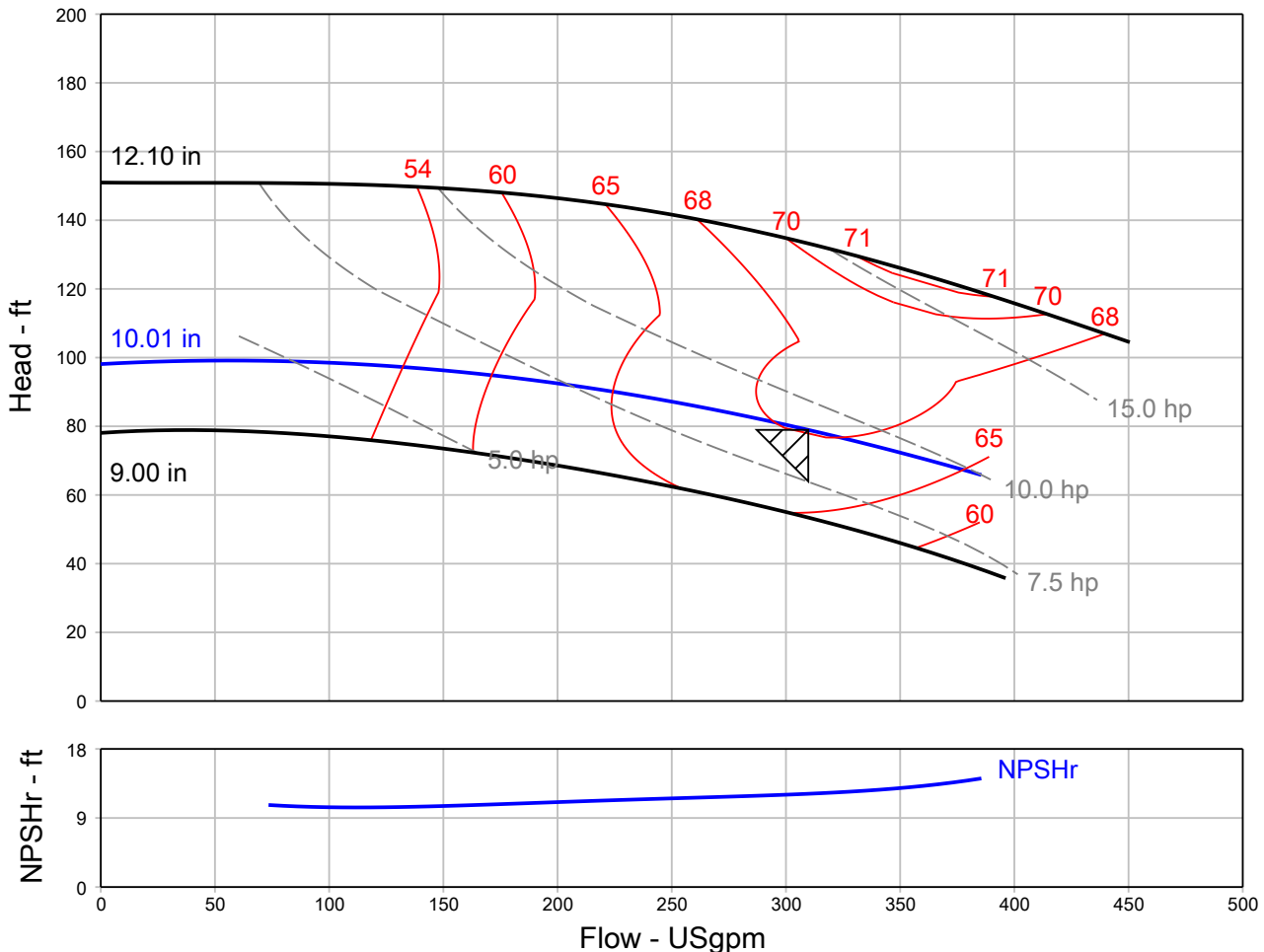
|                           |              |            |
|---------------------------|--------------|------------|
| QUOTE NUMBER / ID 1471203 | UNIT TAG 001 | QUANTITY 1 |
| REPRESENTATIVE            | SERVICE      |            |
| ENGINEER                  | SUBMITTED BY | DATE       |
| CONTRACTOR                | APPROVED BY  | DATE       |
|                           | ORDER #      | DATE       |



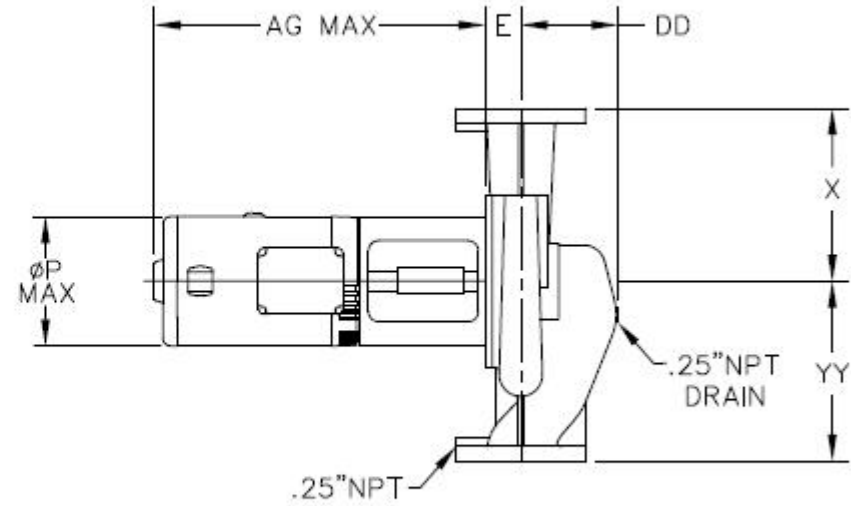
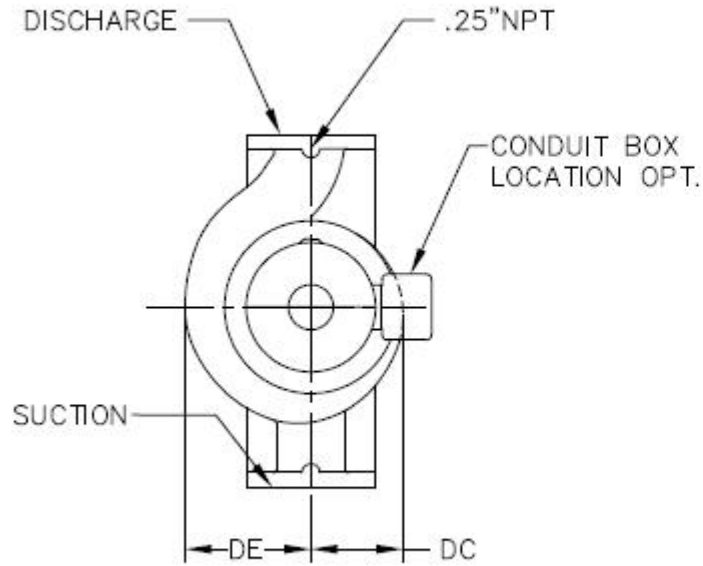
**VLS 30125**  
**1780 rpm**

Part Number N/A

| Conditions of Service |             | Pump Data         |          | Motor Data |           |
|-----------------------|-------------|-------------------|----------|------------|-----------|
| Flow                  | 309.8 USgpm | Impeller Diameter | 10.01 in | Motor HP   | 10 HP     |
| Head                  | 78.95 ft    | Max. Imp. Dia.    | 12.10 in | BHP        | 9.07 HP   |
| Liquid                | Cold Water  | Min. Imp. Dia.    | 9.00 in  | Enclosure  | TEFC      |
| Temperature           | 68.00 deg F | Efficiency        | 68.11 %  | Voltage    | 230/460 V |
| NPSHr                 | 12.15 ft    | Suction           | 3 in.    | Phase      | 3 Phase   |
| Viscosity             | 1.00 cP     | Discharge         | 3 in.    | Cycle      | 60        |
| Specific Gravity      | 1.000 SG    | PEI (CL)          | 0.93     | Frame Size | 215TC     |
|                       |             | ER (CL)           | 7        |            |           |



**Grundfos Series VLS - In-Line Centrifugal Pump, Split Coupled**



NOT FOR CONSTRUCTION, unless certified and referenced on order

| Units  | Frame | S x D | AG (Max) | DC   | DD   | DE   | E    | P (Max) | X     | YY    | Weight |
|--------|-------|-------|----------|------|------|------|------|---------|-------|-------|--------|
| inches | 215TC | 3 X 3 | 31.00    | 7.25 | 6.25 | 8.75 | 1.94 | 14.75   | 12.50 | 12.50 | TBD    |