

## Pump Performance Datasheet

Customer :	Quote Number / ID :	1471203
Customer ref. / PO :	Model :	25121 VLS
Tag Number : 001	Stages :	1
Service :	Based on curve number :	VLS_25121_4P Rev 0
Quantity : 1	Basic model number :	-
	Date last saved :	01/19/2023 2:33 PM

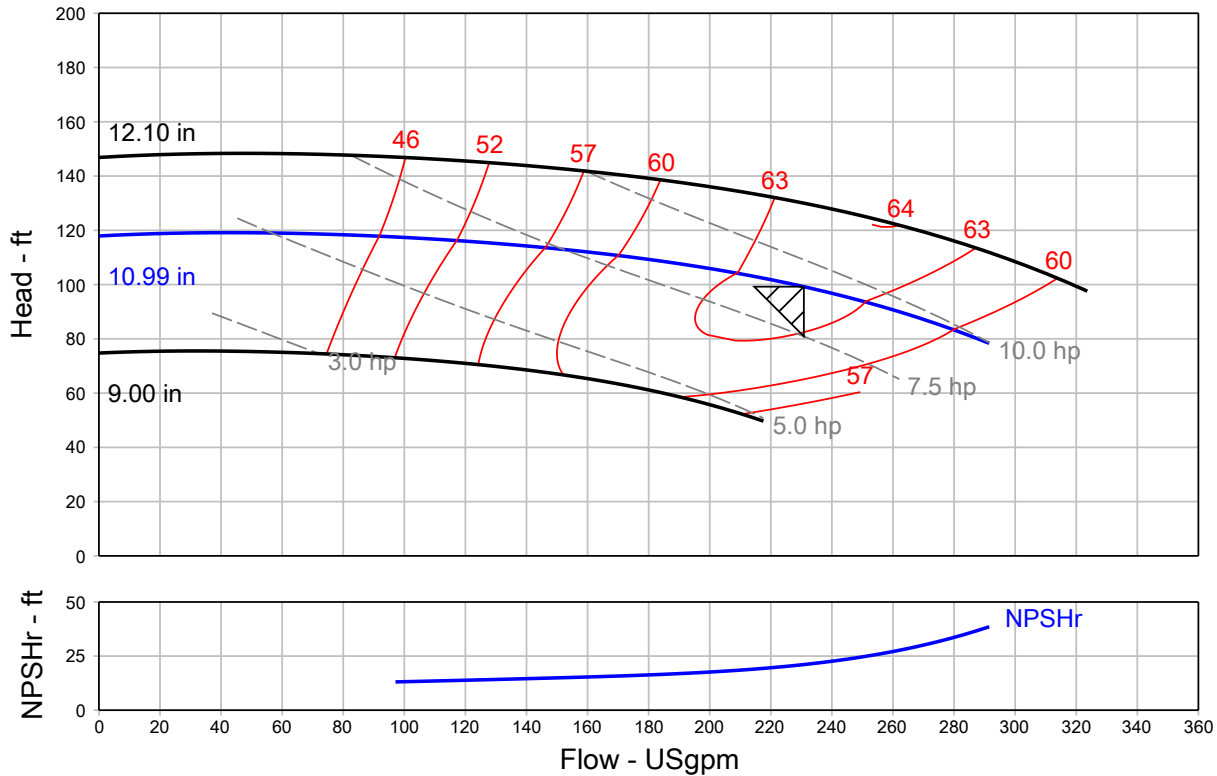
Operating Conditions	Liquid
Flow, rated : 230.8 USgpm	Liquid type : Cold Water
Differential head / pressure, rated (requested) : 99.22 ft	Additional liquid description :
Differential head / pressure, rated (actual) : 99.22 ft	Solids diameter, max : 0.00 in
Suction pressure, rated / max : 0.00 / 0.00 psi.g	Solids concentration, by volume : 0.00 %
NPSH available, rated : Ample	Temperature, max : 68.00 deg F
Site Supply Frequency : 60 Hz	Fluid density, rated / max : 1.000 / 1.000 SG
	Viscosity, rated : 1.00 cP
	Vapor pressure, rated : 0.34 psi.a

Performance	Material
Speed, rated : 1760 rpm	Material selected : Cast iron - 125#
Impeller diameter, rated : 10.99 in	
Impeller diameter, maximum : 12.10 in	
Impeller diameter, minimum : 9.00 in	
Efficiency : 63.52 %	
NPSH required / margin required : 21.08 / 0.00 ft	
nq (imp. eye flow) / S (imp. eye flow) : 15 / 47 Metric units	
MCSF : 68.56 USgpm	
Head, maximum, rated diameter : 119.1 ft	
Head rise to shutoff : 18.83 %	
Flow, best eff. point : 230.8 USgpm	
Flow ratio, rated / BEP : 100.00 %	
Diameter ratio (rated / max) : 90.83 %	
Head ratio (rated dia / max dia) : 76.32 %	
Cq/Ch/Ce/Cn [ANSI/HI 9.6.7-2010] : 1.00 / 1.00 / 1.00 / 1.00	
Selection status : Acceptable	

Pressure Data
Maximum working pressure : 51.55 psi.g
Maximum allowable working pressure : 175.0 psi.g
Maximum allowable suction pressure : 175.0 psi.g
Hydrostatic test pressure : 263.0 psi.g

Driver & Power Data (@Max density)
Motor sizing specification : Max power (non-overloading)
Margin over specification : 0.00 %
Service factor : 1.00
Power, hydraulic : 5.78 hp
Rated power (based on duty point) : 9.10 hp
Max power (non-overloading) : 9.97 hp
Nameplate motor rating : 10.00 hp / 7.46 kW

Energy Indexes
PEI (CL) : 0.99
ER (CL) : 1



## Grundfos Series VLS - In-Line Centrifugal Pump, Split Coupled

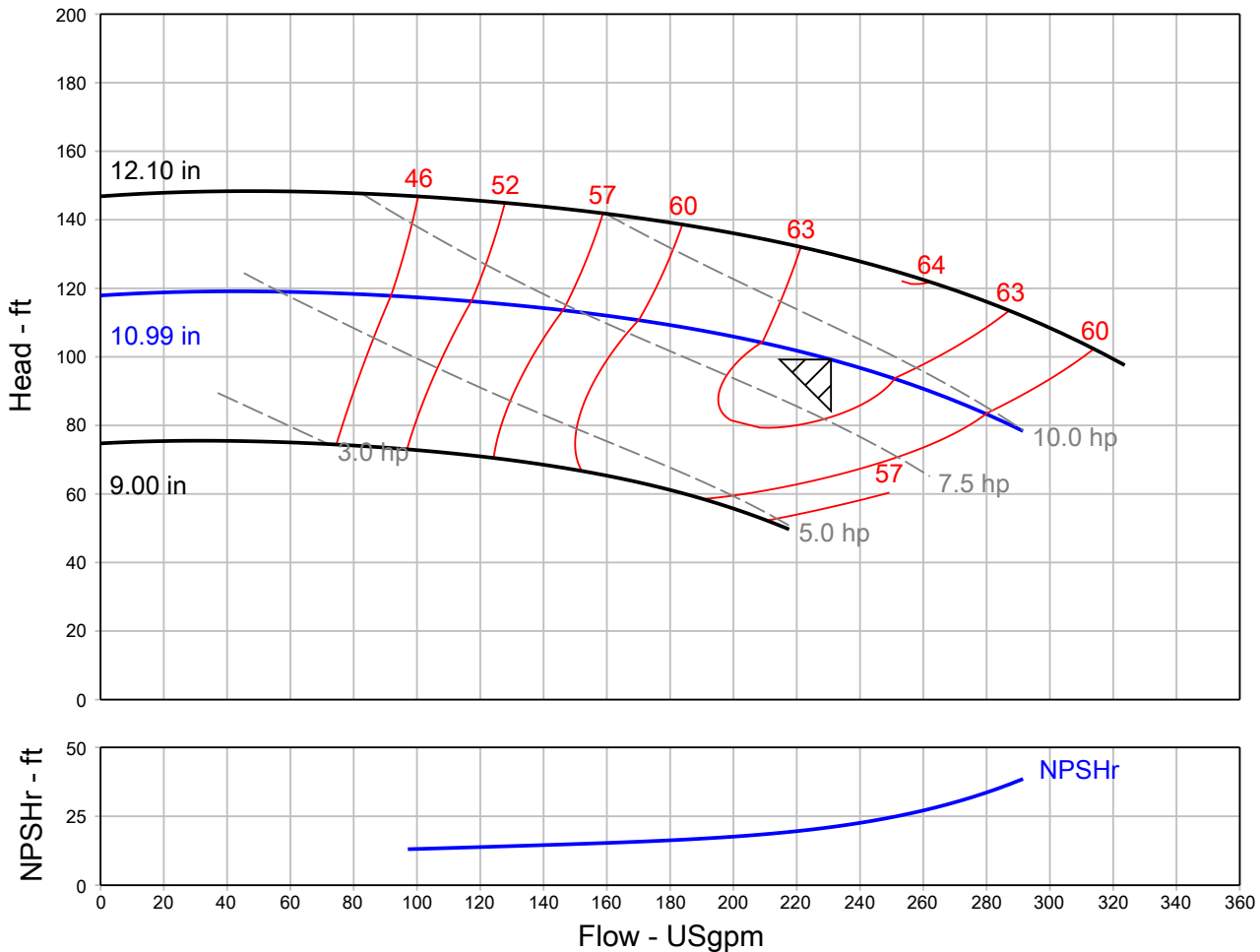
QUOTE NUMBER / ID 1471203	UNIT TAG 001	QUANTITY 1
REPRESENTATIVE	SERVICE	
ENGINEER	SUBMITTED BY	DATE
CONTRACTOR	APPROVED BY	DATE
	ORDER #	DATE



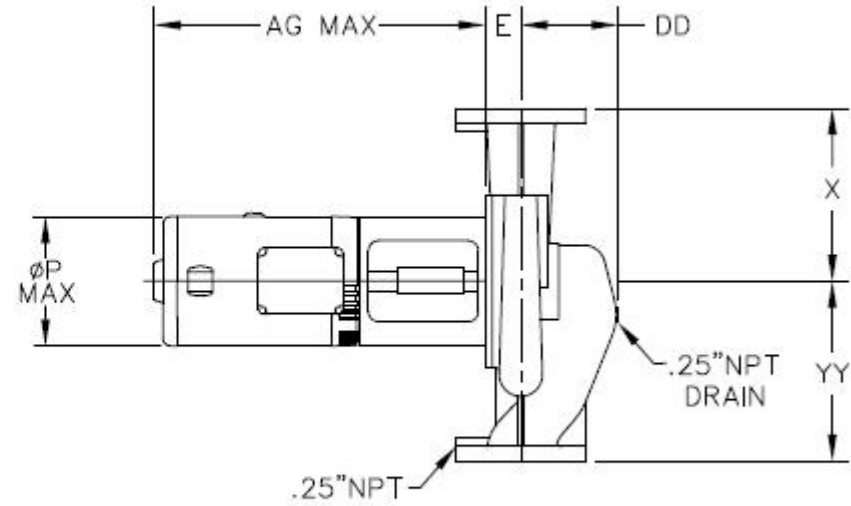
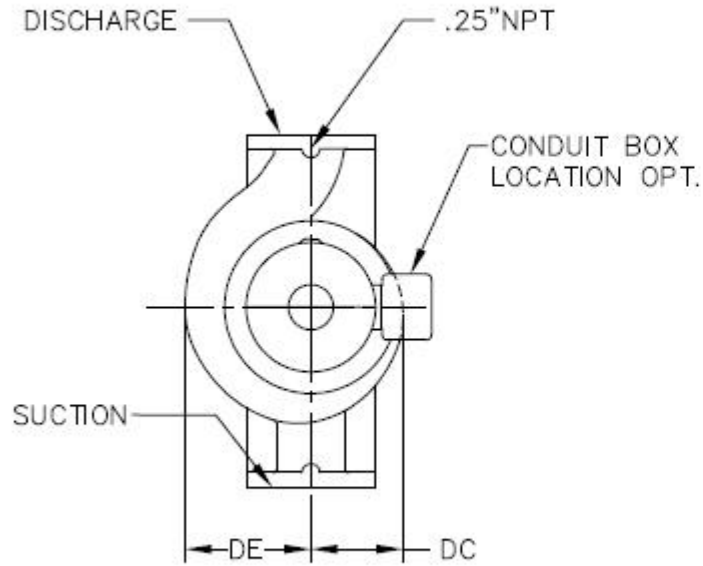
**VLS 25121**  
**1760 rpm**

Part Number N/A

Conditions of Service		Pump Data		Motor Data	
Flow	230.8 USgpm	Impeller Diameter	10.99 in	Motor HP	10 HP
Head	99.22 ft	Max. Imp. Dia.	12.10 in	BHP	9.1 HP
Liquid	Cold Water	Min. Imp. Dia.	9.00 in	Enclosure	TEFC
Temperature	68.00 deg F	Efficiency	63.52 %	Voltage	230/460 V
NPSHr	21.08 ft	Suction	2.5 in.	Phase	3 Phase
Viscosity	1.00 cP	Discharge	2.5 in.	Cycle	60
Specific Gravity	1.000 SG	PEI (CL)	0.99	Frame Size	215TC
		ER (CL)	1		



**Grundfos Series VLS - In-Line Centrifugal Pump, Split Coupled**



NOT FOR CONSTRUCTION, unless certified and referenced on order

Units	Frame	S x D	AG (Max)	DC	DD	DE	E	P (Max)	X	YY	Weight
inches	215TC	2.5 X 2.5	31.00	7.25	6.25	7.75	1.81	14.75	11.50	11.50	TBD