

## Pump Performance Datasheet

Customer :	Quote Number / ID : 1471203
Customer ref. / PO :	Model : 25953 VLS
Tag Number : 001	Stages : 1
Service :	Based on curve number : VLS_25953_4P Rev Aug21
Quantity : 1	Basic model number : -
	Date last saved : 01/19/2023 2:53 PM

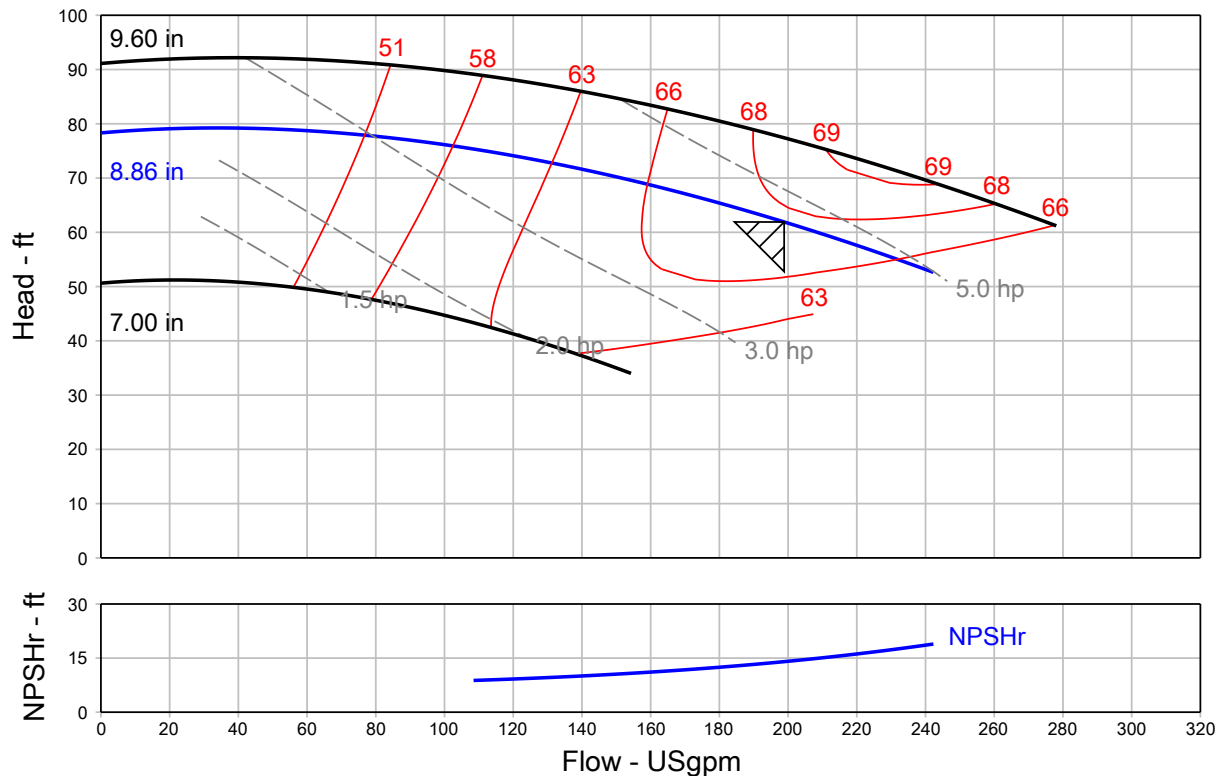
Operating Conditions	Liquid
Flow, rated : 198.9 USgpm	Liquid type : Cold Water
Differential head / pressure, rated (requested) : 61.90 ft	Additional liquid description :
Differential head / pressure, rated (actual) : 62.11 ft	Solids diameter, max : 0.00 in
Suction pressure, rated / max : 0.00 / 0.00 psi.g	Solids concentration, by volume : 0.00 %
NPSH available, rated : Ample	Temperature, max : 68.00 deg F
Site Supply Frequency : 60 Hz	Fluid density, rated / max : 1.000 / 1.000 SG
	Viscosity, rated : 1.00 cP
	Vapor pressure, rated : 0.34 psi.a

Performance	Material
Speed, rated : 1760 rpm	Material selected : Cast iron - 125#
Impeller diameter, rated : 8.86 in	
Impeller diameter, maximum : 9.60 in	
Impeller diameter, minimum : 7.00 in	
Efficiency : 67.74 %	
NPSH required / margin required : 14.01 / 0.00 ft	
nq (imp. eye flow) / S (imp. eye flow) : 21 / 61 Metric units	
MCSF : 58.17 USgpm	
Head, maximum, rated diameter : 79.23 ft	
Head rise to shutoff : 26.51 %	
Flow, best eff. point : 198.9 USgpm	
Flow ratio, rated / BEP : 99.99 %	
Diameter ratio (rated / max) : 92.29 %	
Head ratio (rated dia / max dia) : 79.97 %	
Cq/Ch/Ce/Cn [ANSI/HI 9.6.7-2010] : 1.00 / 1.00 / 1.00 / 1.00	
Selection status : Acceptable	

Pressure Data
Maximum working pressure : 34.29 psi.g
Maximum allowable working pressure : 175.0 psi.g
Maximum allowable suction pressure : 175.0 psi.g
Hydrostatic test pressure : 263.0 psi.g

Driver & Power Data (@Max density)
Motor sizing specification : Max power (non-overloading)
Margin over specification : 0.00 %
Service factor : 1.00
Power, hydraulic : 3.11 hp
Rated power (based on duty point) : 4.59 hp
Max power (non-overloading) : 4.99 hp
Nameplate motor rating : 5.00 hp / 3.73 kW

Energy Indexes
PEI (CL) : 0.97
ER (CL) : 3



## Grundfos Series VLS - In-Line Centrifugal Pump, Split Coupled

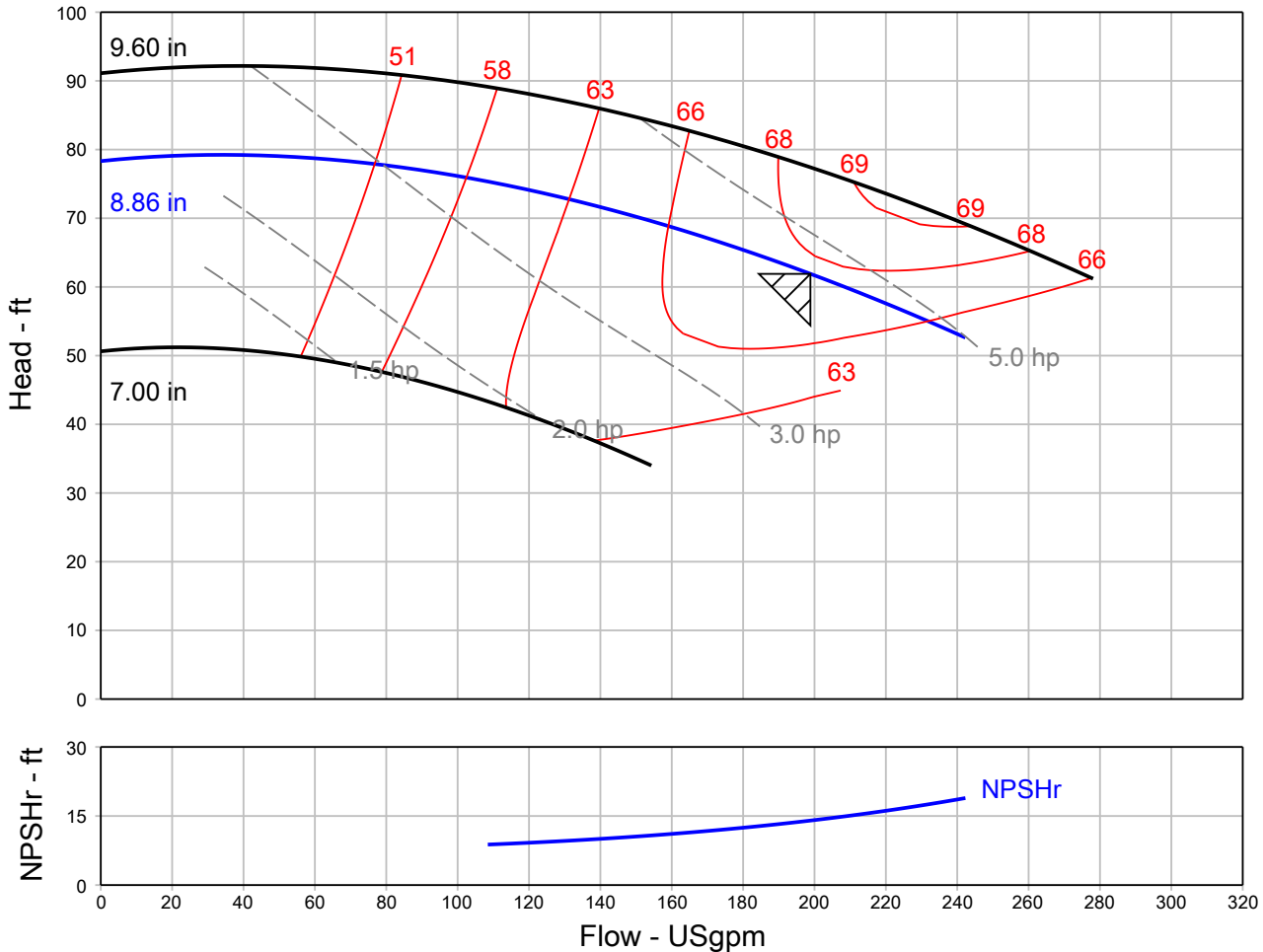
QUOTE NUMBER / ID 1471203	UNIT TAG 001	QUANTITY 1
REPRESENTATIVE	SERVICE	
ENGINEER	SUBMITTED BY	DATE
CONTRACTOR	APPROVED BY	DATE
	ORDER #	DATE



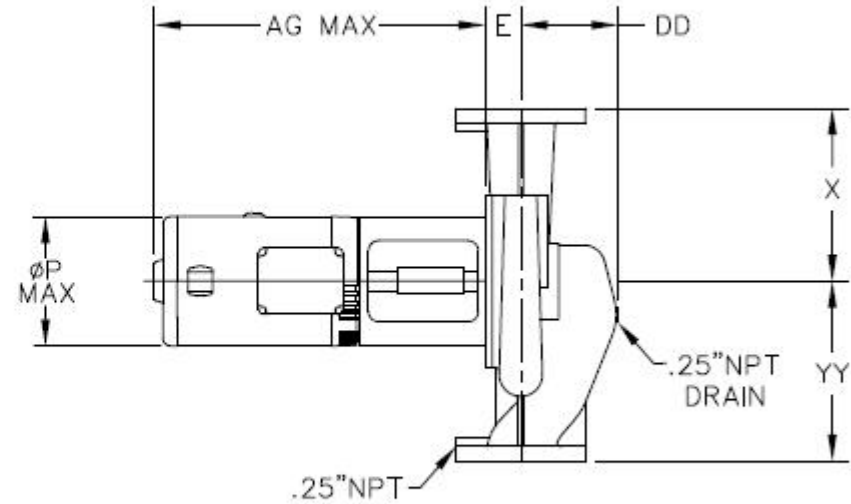
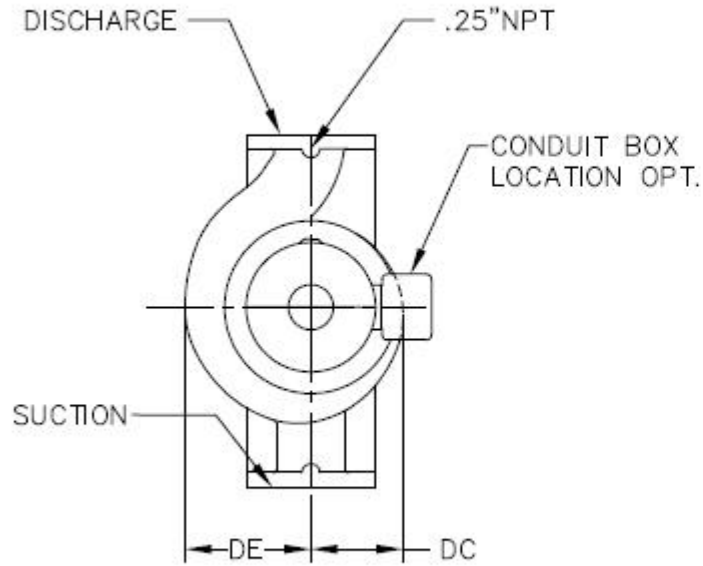
**VLS 25953**  
**1760 rpm**

Part Number N/A

Conditions of Service		Pump Data		Motor Data	
Flow	198.9 USgpm	Impeller Diameter	8.85 in	Motor HP	5 HP
Head	61.90 ft	Max. Imp. Dia.	9.60 in	BHP	4.59 HP
Liquid	Cold Water	Min. Imp. Dia.	7.00 in	Enclosure	TEFC
Temperature	68.00 deg F	Efficiency	67.74 %	Voltage	230/460 V
NPSHr	14.01 ft	Suction	2.5 in.	Phase	3 Phase
Viscosity	1.00 cP	Discharge	2.5 in.	Cycle	60
Specific Gravity	1.000 SG	PEI (CL)	0.97	Frame Size	184TC
		ER (CL)	3		



**Grundfos Series VLS - In-Line Centrifugal Pump, Split Coupled**



NOT FOR CONSTRUCTION, unless certified and referenced on order

Units	Frame	S x D	AG (Max)	DC	DD	DE	E	P (Max)	X	YY	Weight
inches	184TC	2.5 X 2.5	28.50	6.13	6.38	6.63	1.88	13.25	9.50	9.50	TBD