

Pump Performance Datasheet

Customer :	Quote Number / ID :	1471203
Customer ref. / PO :	Model :	20955 VLS
Tag Number : 001	Stages :	1
Service :	Based on curve number :	VLS_20955_4P Rev Aug21
Quantity : 1	Basic model number :	-
	Date last saved :	01/18/2023 3:45 PM

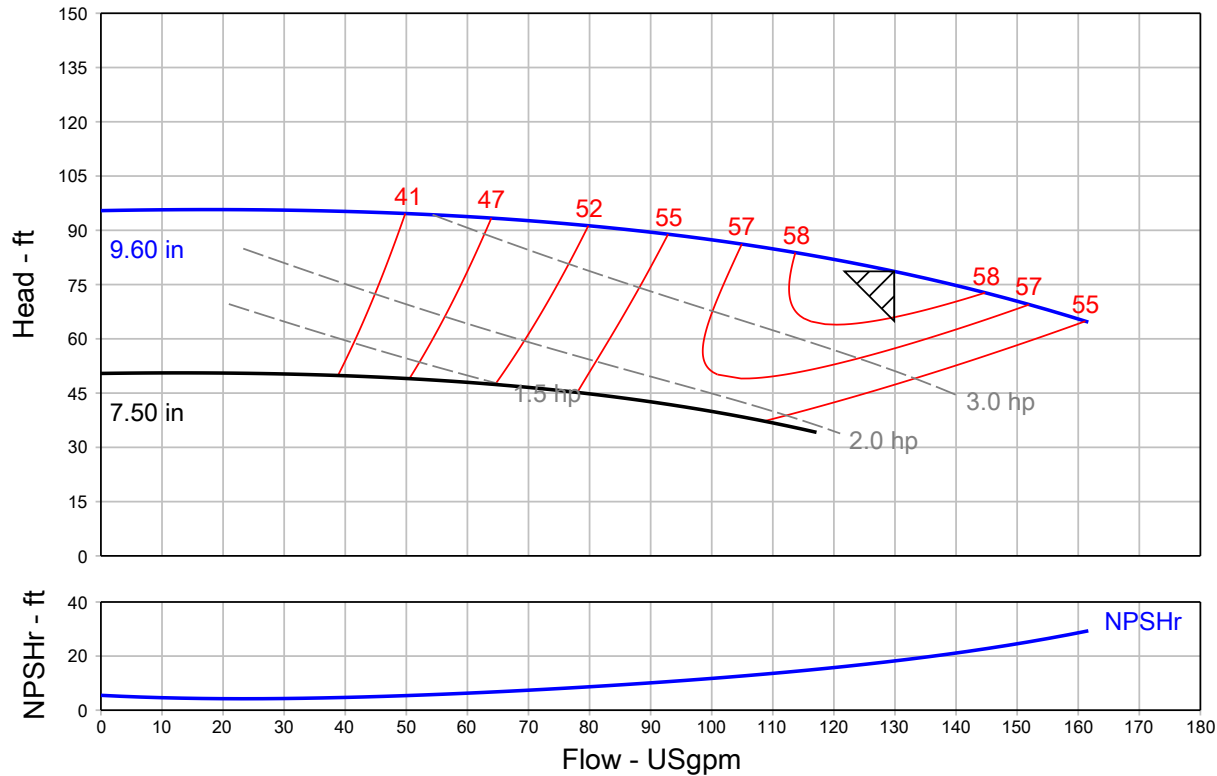
Operating Conditions		Liquid	
Flow, rated	: 129.9 USgpm	Liquid type	: Cold Water
Differential head / pressure, rated (requested)	: 78.65 ft	Additional liquid description	:
Differential head / pressure, rated (actual)	: 78.65 ft	Solids diameter, max	: 0.00 in
Suction pressure, rated / max	: 0.00 / 0.00 psi.g	Solids concentration, by volume	: 0.00 %
NPSH available, rated	: Ample	Temperature, max	: 68.00 deg F
Site Supply Frequency	: 60 Hz	Fluid density, rated / max	: 1.000 / 1.000 SG

Performance		Material	
Speed, rated	: 1760 rpm	Material selected	: Cast iron - 125#
Impeller diameter, rated	: 9.60 in		
Impeller diameter, maximum	: 9.60 in		
Impeller diameter, minimum	: 7.50 in		

Performance		Pressure Data	
Efficiency	: 58.77 %	Maximum working pressure	: 41.43 psi.g
NPSH required / margin required	: 18.19 / 0.00 ft	Maximum allowable working pressure	: 175.0 psi.g
nq (imp. eye flow) / S (imp. eye flow)	: 15 / 44 Metric units	Maximum allowable suction pressure	: 175.0 psi.g
MCSF	: 38.80 USgpm	Hydrostatic test pressure	: 263.0 psi.g
Head, maximum, rated diameter	: 95.73 ft		
Head rise to shutoff	: 21.35 %		

Performance		Driver & Power Data (@Max density)	
Flow, best eff. point	: 129.9 USgpm	Motor sizing specification	: Max power (non-overloading)
Flow ratio, rated / BEP	: 100.00 %	Margin over specification	: 0.00 %
Diameter ratio (rated / max)	: 100.00 %	Service factor	: 1.00
Head ratio (rated dia / max dia)	: 100.00 %	Power, hydraulic	: 2.58 hp
Cq/Ch/Ce/Cn [ANSI/HI 9.6.7-2010]	: 1.00 / 1.00 / 1.00 / 1.00	Rated power (based on duty point)	: 4.39 hp
Selection status	: Acceptable	Max power (non-overloading)	: 4.81 hp
		Nameplate motor rating	: 5.00 hp / 3.73 kW

Energy Indexes	
PEI (CL)	: 0.96
ER (CL)	: 4



Grundfos Series VLS - In-Line Centrifugal Pump, Split Coupled

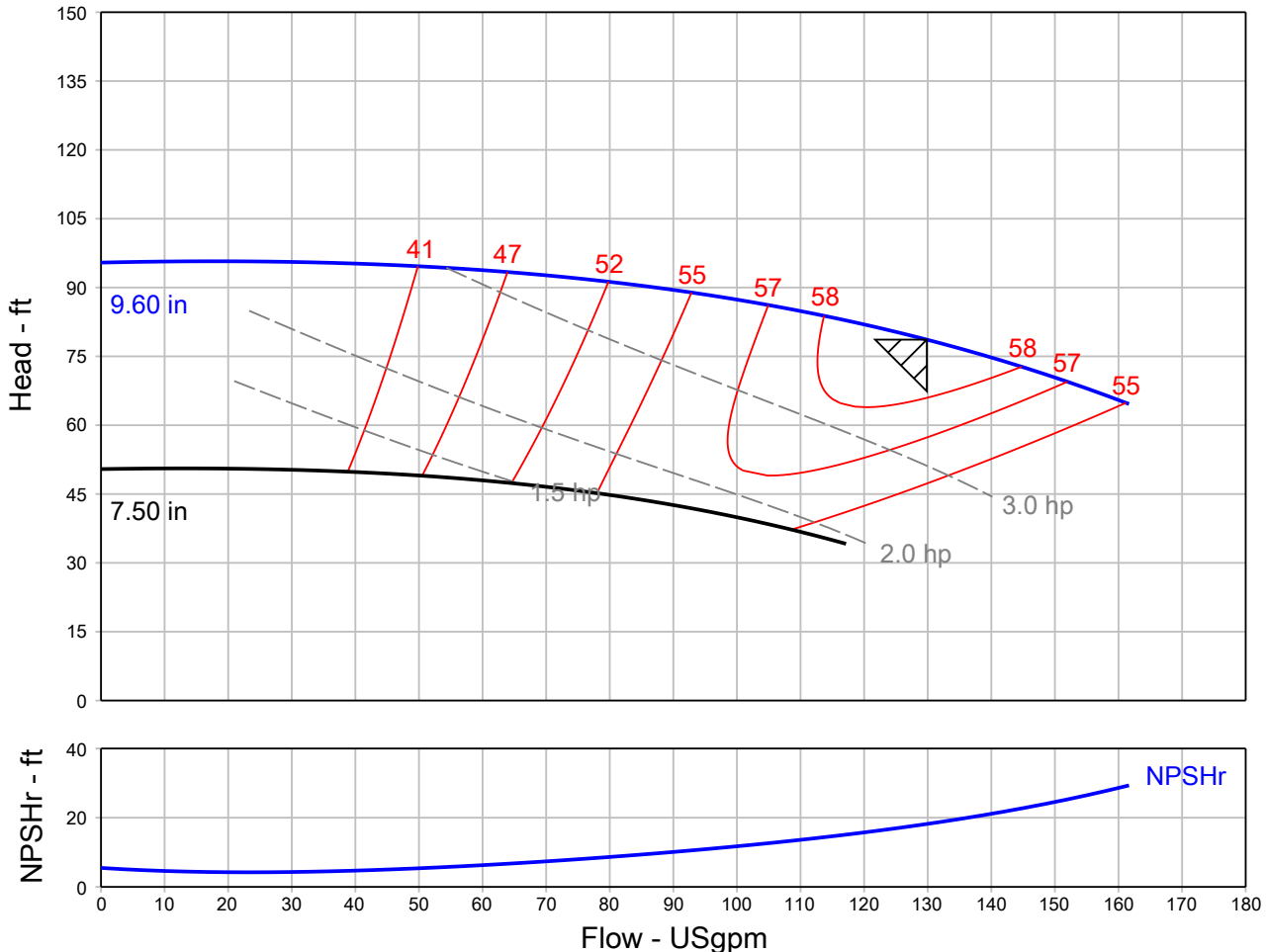
QUOTE NUMBER / ID 1471203	UNIT TAG 001	QUANTITY 1
REPRESENTATIVE	SERVICE	
ENGINEER	SUBMITTED BY	DATE
CONTRACTOR	APPROVED BY	DATE
	ORDER #	DATE



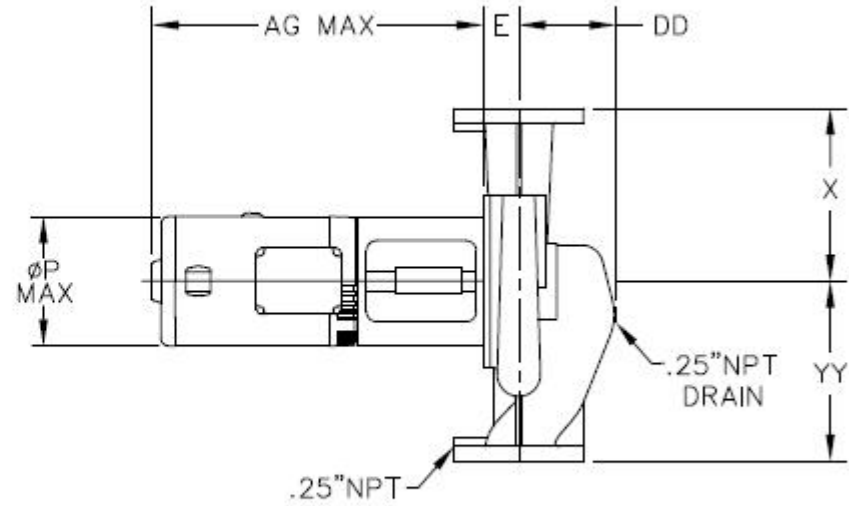
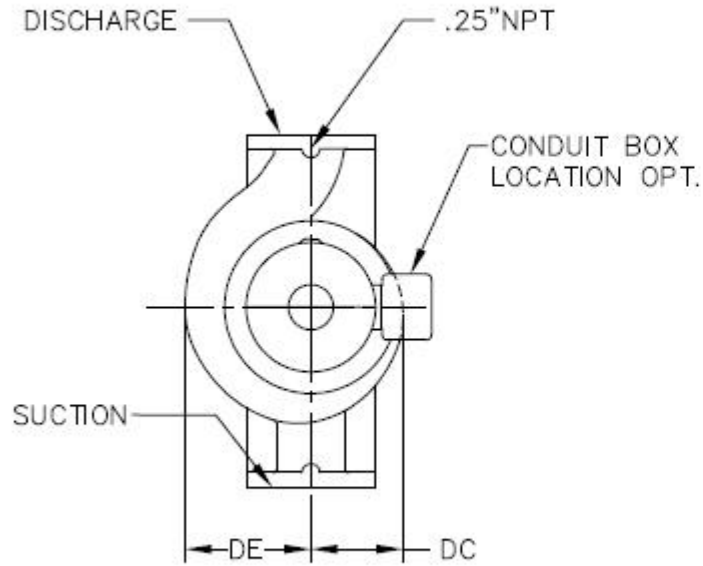
VLS 20955
1760 rpm

Part Number N/A

Conditions of Service		Pump Data		Motor Data	
Flow	129.9 USgpm	Impeller Diameter	9.60 in	Motor HP	5 HP
Head	78.65 ft	Max. Imp. Dia.	9.60 in	BHP	4.39 HP
Liquid	Cold Water	Min. Imp. Dia.	7.50 in	Enclosure	ODP
Temperature	68.00 deg F	Efficiency	58.77 %	Voltage	230/460 V
NPSHr	18.19 ft	Suction	2 in.	Phase	3 Phase
Viscosity	1.00 cP	Discharge	2 in.	Cycle	60
Specific Gravity	1.000 SG	PEI (CL)	0.96	Frame Size	184TC
		ER (CL)	4		



Grundfos Series VLS - In-Line Centrifugal Pump, Split Coupled



NOT FOR CONSTRUCTION, unless certified and referenced on order

Units	Frame	S x D	AG (Max)	DC	DD	DE	E	P (Max)	X	YY	Weight
inches	184TC	2 X 2	28.50	6.00	4.88	6.25	1.50	13.25	9.00	9.00	TBD