

Pump Performance Datasheet

Customer :	Quote Number / ID :	1471203
Customer ref. / PO :	Model :	20955 VLS
Tag Number : 001	Stages :	1
Service :	Based on curve number :	VLS_20955_4P Rev Aug21
Quantity : 1	Basic model number :	-
	Date last saved :	01/18/2023 3:39 PM

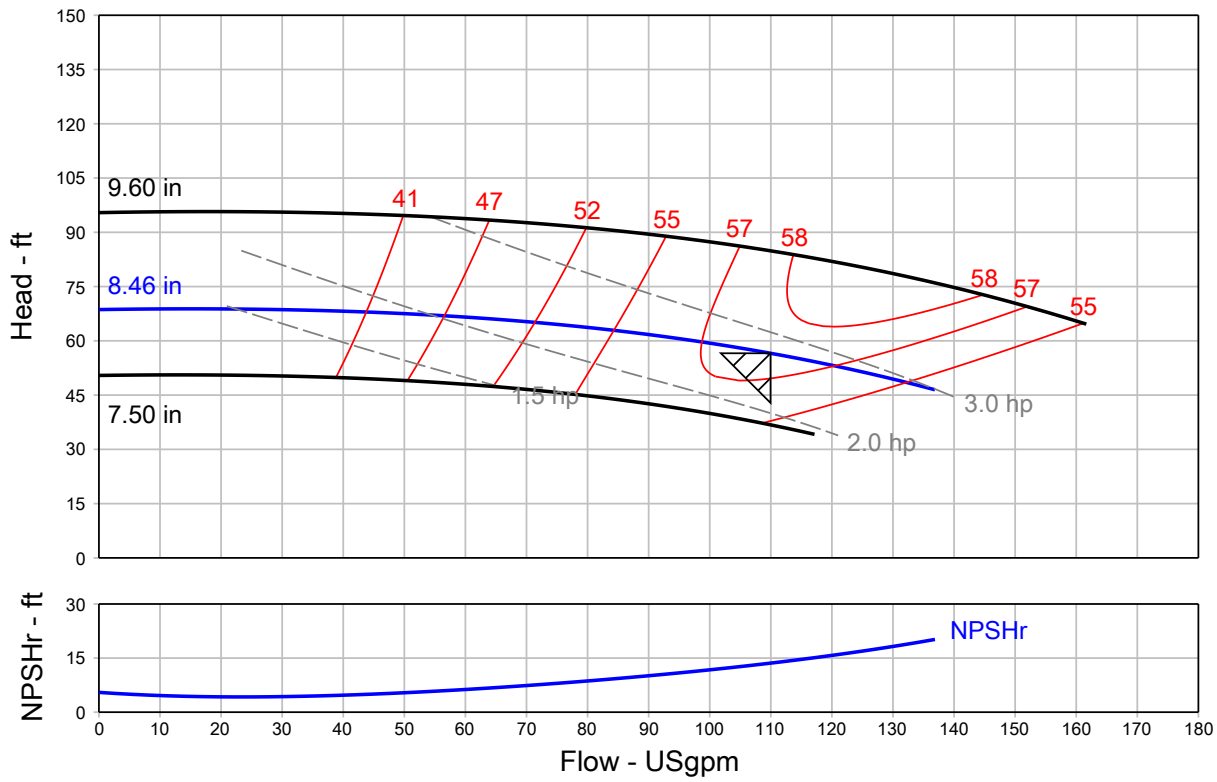
Operating Conditions	Liquid
Flow, rated : 110.0 USgpm	Liquid type : Cold Water
Differential head / pressure, rated (requested) : 56.56 ft	Additional liquid description :
Differential head / pressure, rated (actual) : 56.79 ft	Solids diameter, max : 0.00 in
Suction pressure, rated / max : 0.00 / 0.00 psi.g	Solids concentration, by volume : 0.00 %
NPSH available, rated : Ample	Temperature, max : 68.00 deg F
Site Supply Frequency : 60 Hz	Fluid density, rated / max : 1.000 / 1.000 SG
	Viscosity, rated : 1.00 cP
	Vapor pressure, rated : 0.34 psi.a

Performance	Material
Speed, rated : 1760 rpm	Material selected : Cast iron - 125#
Impeller diameter, rated : 8.46 in	
Impeller diameter, maximum : 9.60 in	
Impeller diameter, minimum : 7.50 in	
Efficiency : 57.51 %	
NPSH required / margin required : 13.60 / 0.00 ft	
nq (imp. eye flow) / S (imp. eye flow) : 15 / 44 Metric units	
MCSF : 32.95 USgpm	
Head, maximum, rated diameter : 68.84 ft	
Head rise to shutoff : 21.35 %	
Flow, best eff. point : 110.0 USgpm	
Flow ratio, rated / BEP : 100.00 %	
Diameter ratio (rated / max) : 88.13 %	
Head ratio (rated dia / max dia) : 66.63 %	
Cq/Ch/Ce/Cn [ANSI/HI 9.6.7-2010] : 1.00 / 1.00 / 1.00 / 1.00	
Selection status : Acceptable	

Pressure Data
Maximum working pressure : 29.79 psi.g
Maximum allowable working pressure : 175.0 psi.g
Maximum allowable suction pressure : 175.0 psi.g
Hydrostatic test pressure : 263.0 psi.g

Driver & Power Data (@Max density)
Motor sizing specification : Max power (non-overloading)
Margin over specification : 0.00 %
Service factor : 1.00
Power, hydraulic : 1.57 hp
Rated power (based on duty point) : 2.73 hp
Max power (non-overloading) : 2.99 hp
Nameplate motor rating : 3.00 hp / 2.24 kW

Energy Indexes
PEI (CL) : 0.96
ER (CL) : 4



Grundfos Series VLS - In-Line Centrifugal Pump, Split Coupled

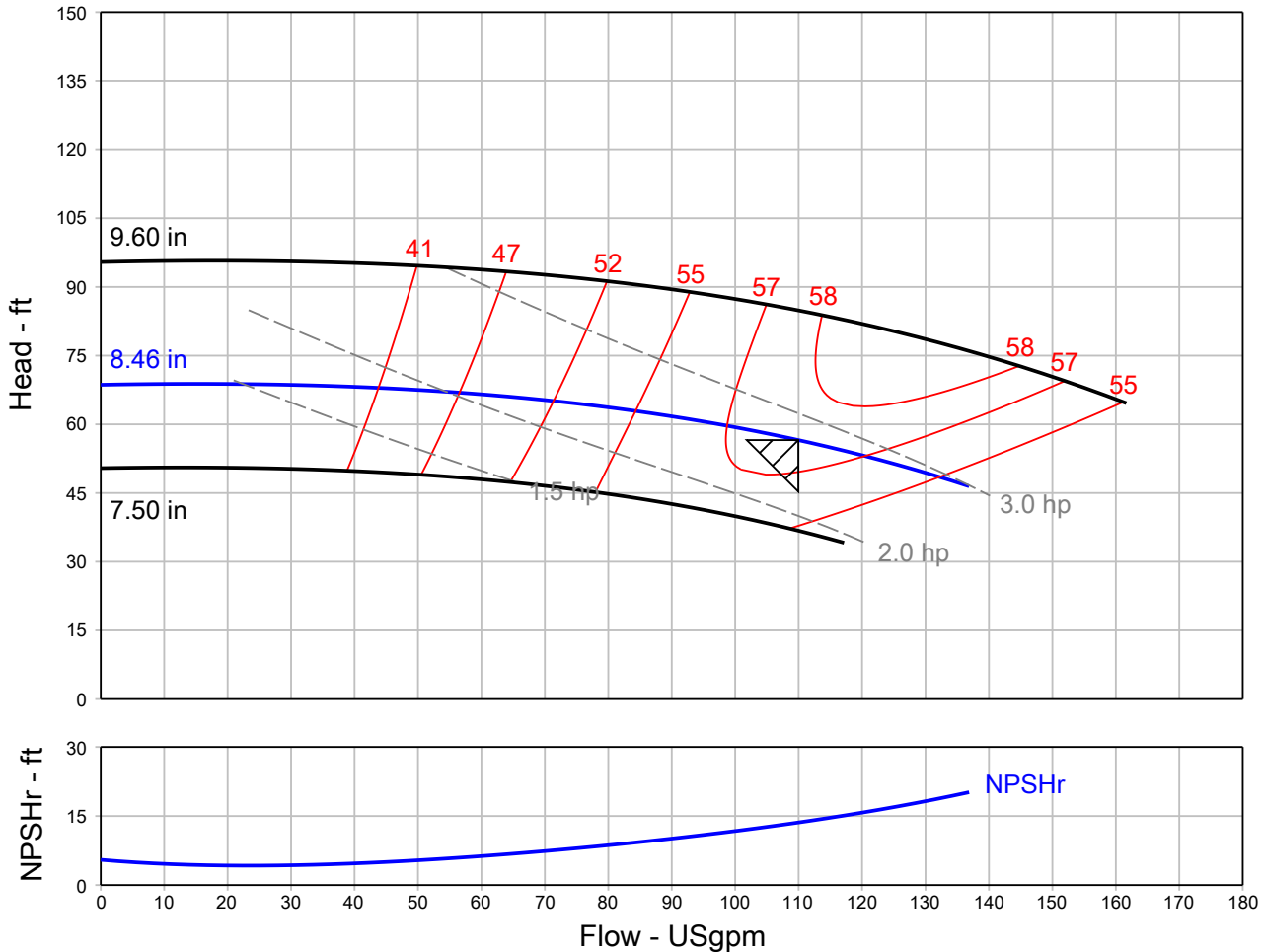
QUOTE NUMBER / ID 1471203	UNIT TAG 001	QUANTITY 1
REPRESENTATIVE	SERVICE	
ENGINEER	SUBMITTED BY	DATE
CONTRACTOR	APPROVED BY	DATE
	ORDER #	DATE



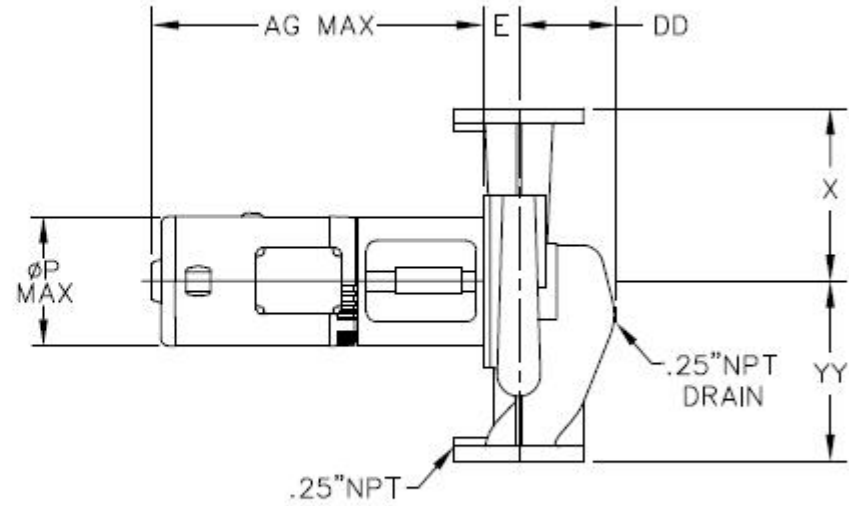
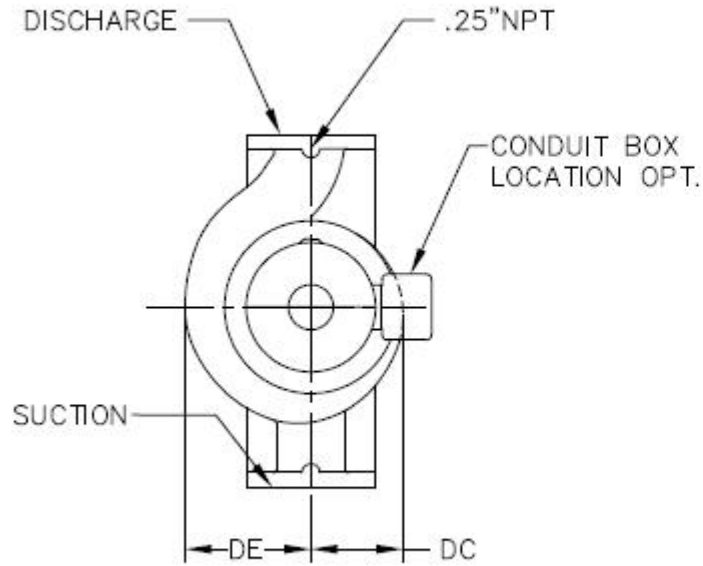
VLS 20955
1760 rpm

Part Number N/A

Conditions of Service		Pump Data		Motor Data	
Flow	110.0 USgpm	Impeller Diameter	8.45 in	Motor HP	3 HP
Head	56.56 ft	Max. Imp. Dia.	9.60 in	BHP	2.73 HP
Liquid	Cold Water	Min. Imp. Dia.	7.50 in	Enclosure	TEFC
Temperature	68.00 deg F	Efficiency	57.51 %	Voltage	230/460 V
NPSHr	13.60 ft	Suction	2 in.	Phase	3 Phase
Viscosity	1.00 cP	Discharge	2 in.	Cycle	60
Specific Gravity	1.000 SG	PEI (CL)	0.96	Frame Size	182TC
		ER (CL)	4		



Grundfos Series VLS - In-Line Centrifugal Pump, Split Coupled



NOT FOR CONSTRUCTION, unless certified and referenced on order

Units	Frame	S x D	AG (Max)	DC	DD	DE	E	P (Max)	X	YY	Weight
inches	182TC	2 X 2	28.50	6.00	4.88	6.25	1.50	13.25	9.00	9.00	TBD