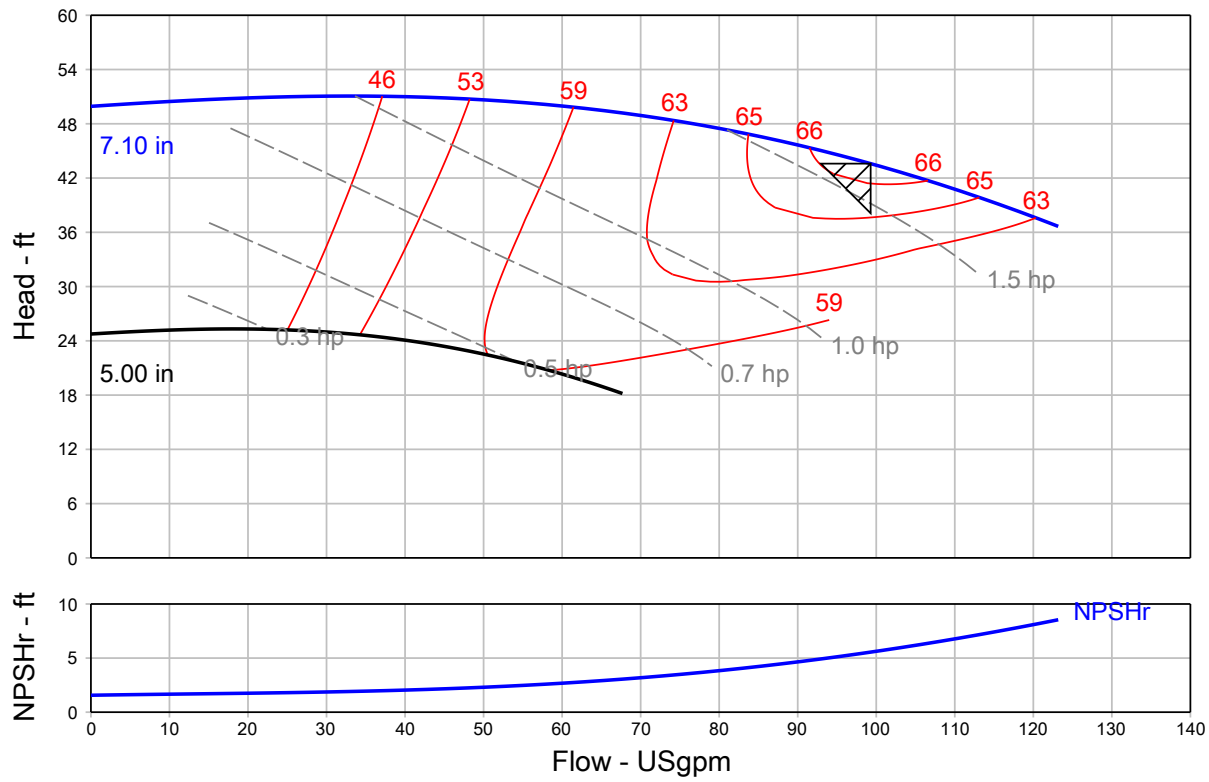


Pump Performance Datasheet

Customer :	Quote Number / ID :	1471203
Customer ref. / PO :	Model :	20705 VLS
Tag Number : 001	Stages :	1
Service :	Based on curve number :	VLS_20705_4P Rev Aug21
Quantity : 1	Basic model number :	-
	Date last saved :	01/18/2023 3:32 PM

Operating Conditions		Liquid	
Flow, rated	: 99.29 USgpm	Liquid type	: Cold Water
Differential head / pressure, rated (requested)	: 43.59 ft	Additional liquid description	:
Differential head / pressure, rated (actual)	: 43.59 ft	Solids diameter, max	: 0.00 in
Suction pressure, rated / max	: 0.00 / 0.00 psi.g	Solids concentration, by volume	: 0.00 %
NPSH available, rated	: Ample	Temperature, max	: 68.00 deg F
Site Supply Frequency	: 60 Hz	Fluid density, rated / max	: 1.000 / 1.000 SG
		Viscosity, rated	: 1.00 cP
		Vapor pressure, rated	: 0.34 psi.a
Performance		Material	
Speed, rated	: 1730 rpm	Material selected	: Cast iron - 125#
Impeller diameter, rated	: 7.10 in		
Impeller diameter, maximum	: 7.10 in	Pressure Data	
Impeller diameter, minimum	: 5.00 in	Maximum working pressure	: 22.10 psi.g
Efficiency	: 66.36 %	Maximum allowable working pressure	: 175.0 psi.g
NPSH required / margin required	: 5.55 / 0.00 ft	Maximum allowable suction pressure	: 175.0 psi.g
nq (imp. eye flow) / S (imp. eye flow)	: 20 / 92 Metric units	Hydrostatic test pressure	: 263.0 psi.g
MCSF	: 29.56 USgpm		
Head, maximum, rated diameter	: 51.06 ft	Driver & Power Data (@Max density)	
Head rise to shutoff	: 14.53 %	Motor sizing specification	: Max power (non-overloading)
Flow, best eff. point	: 99.29 USgpm	Margin over specification	: 0.00 %
Flow ratio, rated / BEP	: 100.00 %	Service factor	: 1.00
Diameter ratio (rated / max)	: 100.00 %	Power, hydraulic	: 1.09 hp
Head ratio (rated dia / max dia)	: 100.00 %	Rated power (based on duty point)	: 1.65 hp
Cq/Ch/Ce/Cn [ANSI/HI 9.6.7-2010]	: 1.00 / 1.00 / 1.00 / 1.00	Max power (non-overloading)	: 1.84 hp
Selection status	: Acceptable	Nameplate motor rating	: 3.00 hp / 2.24 kW
Energy Indexes			
PEI (CL)	: 0.93		
ER (CL)	: 7		



Grundfos Series VLS - In-Line Centrifugal Pump, Split Coupled

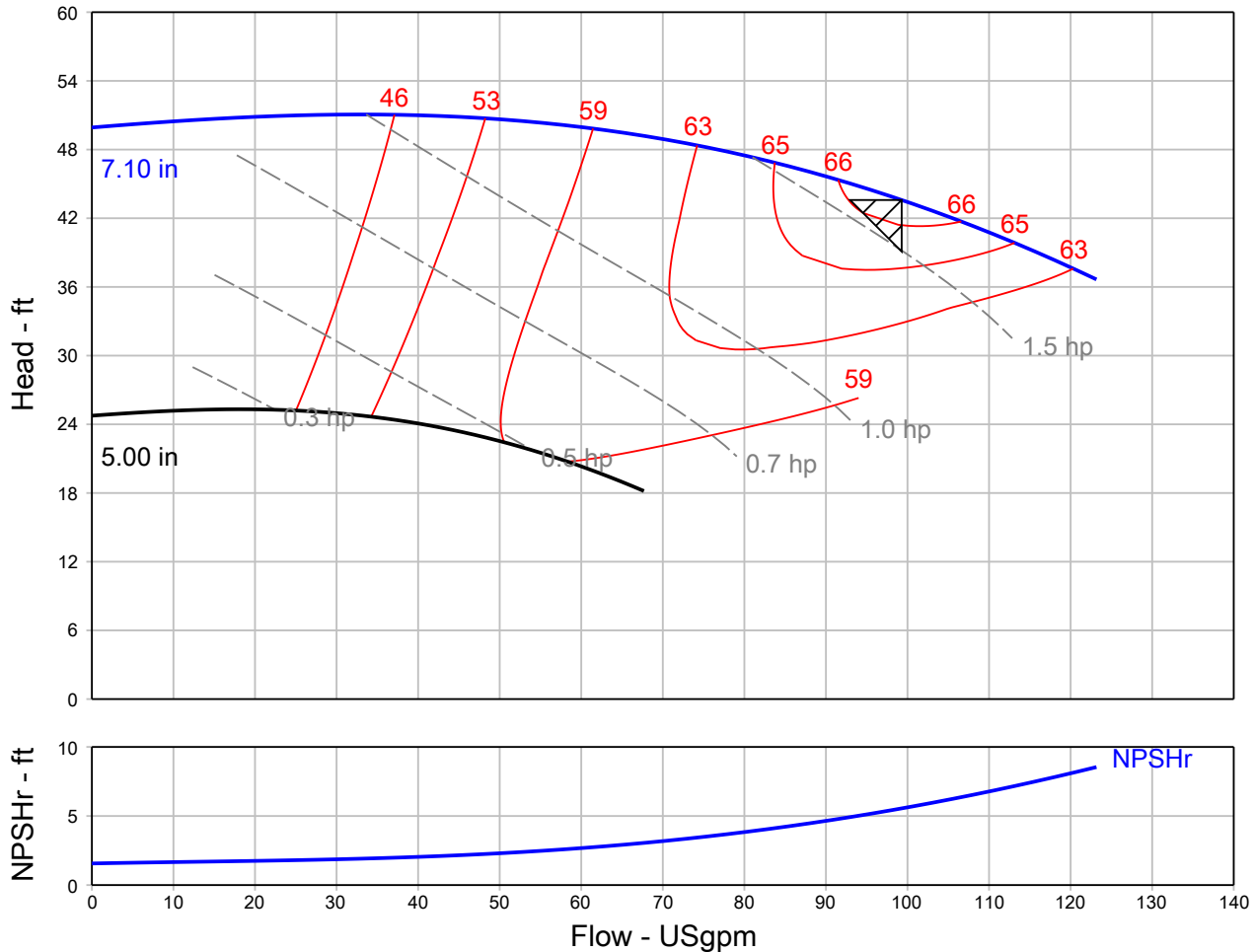
QUOTE NUMBER / ID 1471203	UNIT TAG 001	QUANTITY 1
REPRESENTATIVE	SERVICE	
ENGINEER	SUBMITTED BY	DATE
CONTRACTOR	APPROVED BY	DATE
	ORDER #	DATE



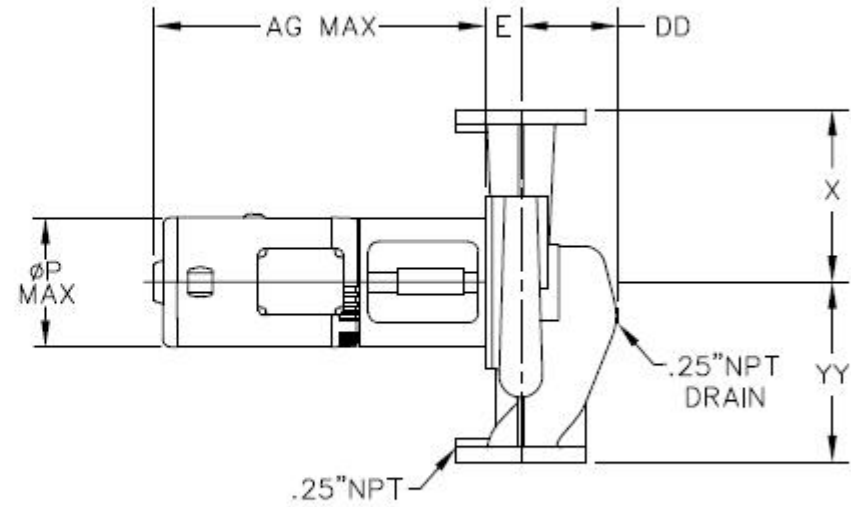
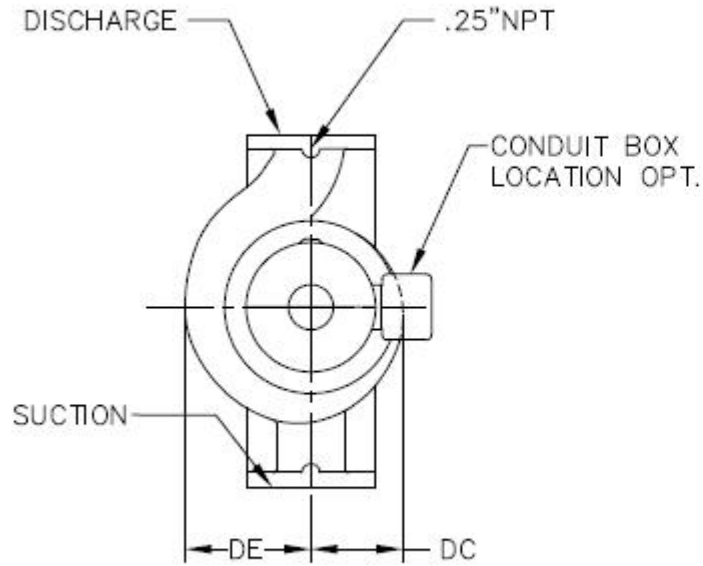
VLS 20705
1730 rpm

Part Number N/A

Conditions of Service		Pump Data		Motor Data	
Flow	99.29 USgpm	Impeller Diameter	7.10 in	Motor HP	3 HP
Head	43.59 ft	Max. Imp. Dia.	7.10 in	BHP	1.65 HP
Liquid	Cold Water	Min. Imp. Dia.	5.00 in	Enclosure	TEFC
Temperature	68.00 deg F	Efficiency	66.36 %	Voltage	230/460 V
NPSHr	5.55 ft	Suction	2 in.	Phase	3 Phase
Viscosity	1.00 cP	Discharge	2 in.	Cycle	60
Specific Gravity	1.000 SG	PEI (CL)	0.93	Frame Size	182TC
		ER (CL)	7		



Grundfos Series VLS - In-Line Centrifugal Pump, Split Coupled



NOT FOR CONSTRUCTION, unless certified and referenced on order

Units	Frame	S x D	AG (Max)	DC	DD	DE	E	P (Max)	X	YY	Weight
inches	182TC	2 X 2	30.00	4.75	5.50	5.25	1.91	13.25	8.00	8.00	TBD