

Pump Performance Datasheet

Customer :	Quote Number / ID :	1471203
Customer ref. / PO :	Model :	12707 VLS
Tag Number : 001	Stages :	1
Service :	Based on curve number :	VLS_12707_4P Rev 0
Quantity : 1	Basic model number :	-
	Date last saved :	01/18/2023 2:57 PM

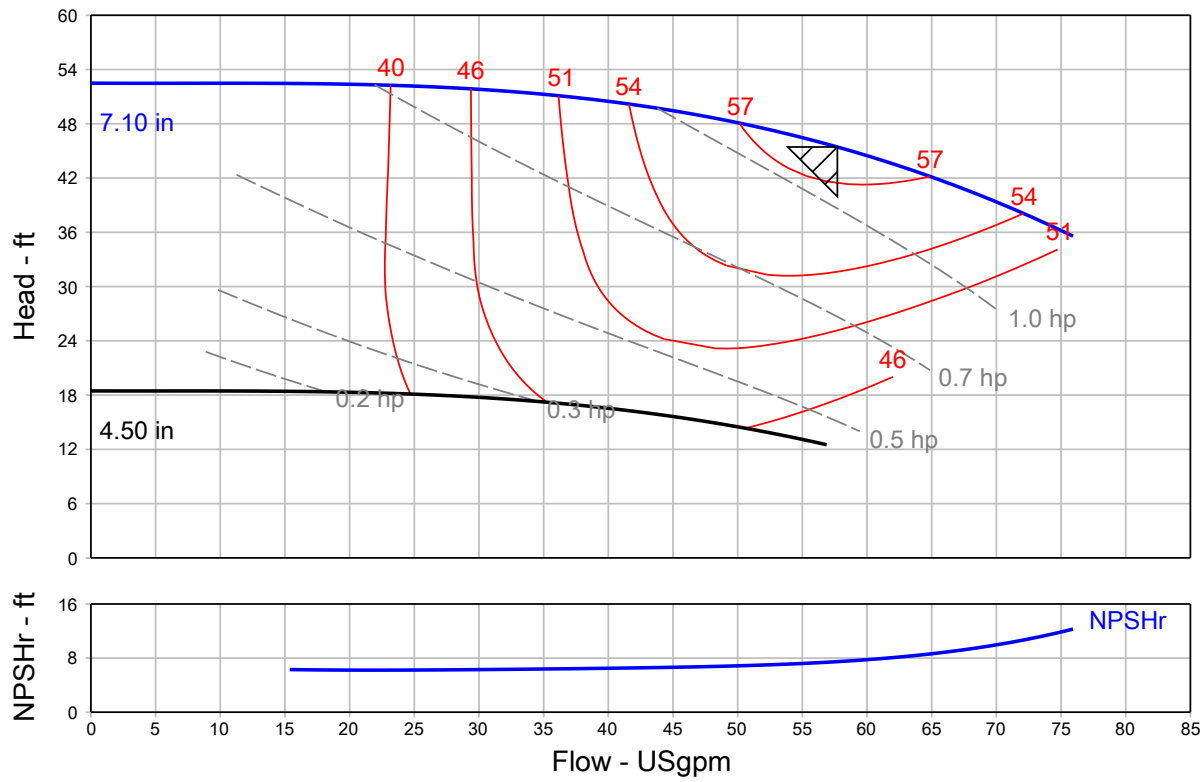
Operating Conditions		Liquid	
Flow, rated	: 57.71 USgpm	Liquid type	: Cold Water
Differential head / pressure, rated (requested)	: 45.43 ft	Additional liquid description	:
Differential head / pressure, rated (actual)	: 45.43 ft	Solids diameter, max	: 0.00 in
Suction pressure, rated / max	: 0.00 / 0.00 psi.g	Solids concentration, by volume	: 0.00 %
NPSH available, rated	: Ample	Temperature, max	: 68.00 deg F
Site Supply Frequency	: 60 Hz	Fluid density, rated / max	: 1.000 / 1.000 SG
		Viscosity, rated	: 1.00 cP
		Vapor pressure, rated	: 0.34 psi.a

Performance		Material	
Speed, rated	: 1730 rpm	Material selected	: Cast iron - 125#
Impeller diameter, rated	: 7.10 in		
Impeller diameter, maximum	: 7.10 in		
Impeller diameter, minimum	: 4.50 in		
Efficiency	: 57.90 %		
NPSH required / margin required	: 7.47 / 0.00 ft		
nq (imp. eye flow) / S (imp. eye flow)	: 15 / 56 Metric units		
MCSF	: 17.52 USgpm		
Head, maximum, rated diameter	: 52.49 ft		
Head rise to shutoff	: 15.53 %		
Flow, best eff. point	: 57.71 USgpm		
Flow ratio, rated / BEP	: 100.00 %		
Diameter ratio (rated / max)	: 100.00 %		
Head ratio (rated dia / max dia)	: 100.00 %		
Cq/Ch/Ce/Cn [ANSI/HI 9.6.7-2010]	: 1.00 / 1.00 / 0.99 / 1.00		
Selection status	: Acceptable		

Pressure Data	
Maximum working pressure	: 22.72 psi.g
Maximum allowable working pressure	: 175.0 psi.g
Maximum allowable suction pressure	: 175.0 psi.g
Hydrostatic test pressure	: 263.0 psi.g

Driver & Power Data (@Max density)	
Motor sizing specification	: Max power (non-overloading)
Margin over specification	: 0.00 %
Service factor	: 1.00
Power, hydraulic	: 0.66 hp
Rated power (based on duty point)	: 1.14 hp
Max power (non-overloading)	: 1.33 hp
Nameplate motor rating	: 3.00 hp / 2.24 kW

Energy Indexes	
PEI (CL)	: 0.86
ER (CL)	: 14



Grundfos Series VLS - In-Line Centrifugal Pump, Split Coupled

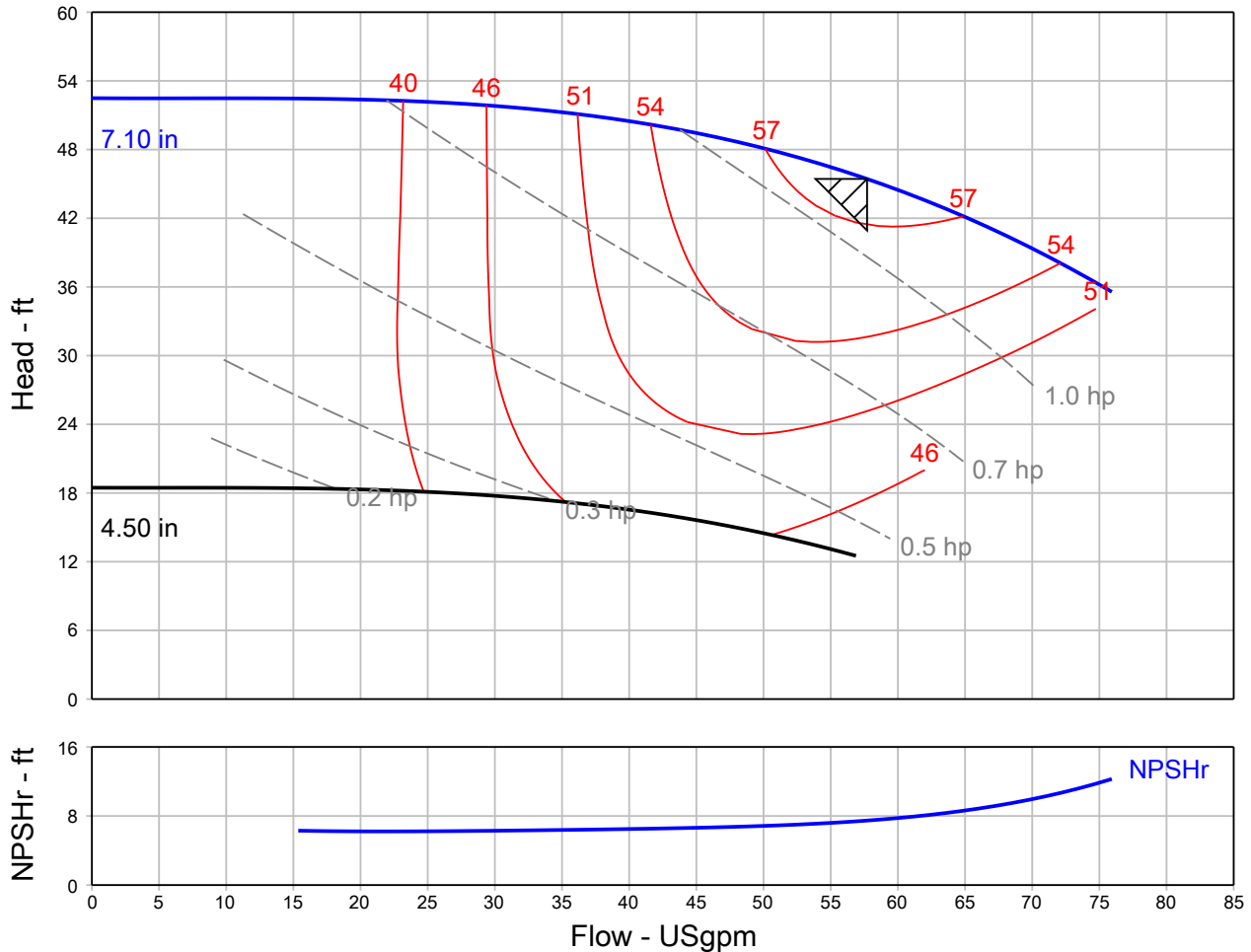
QUOTE NUMBER / ID 1471203	UNIT TAG 001	QUANTITY 1
REPRESENTATIVE	SERVICE	
ENGINEER	SUBMITTED BY	DATE
CONTRACTOR	APPROVED BY	DATE
	ORDER #	DATE



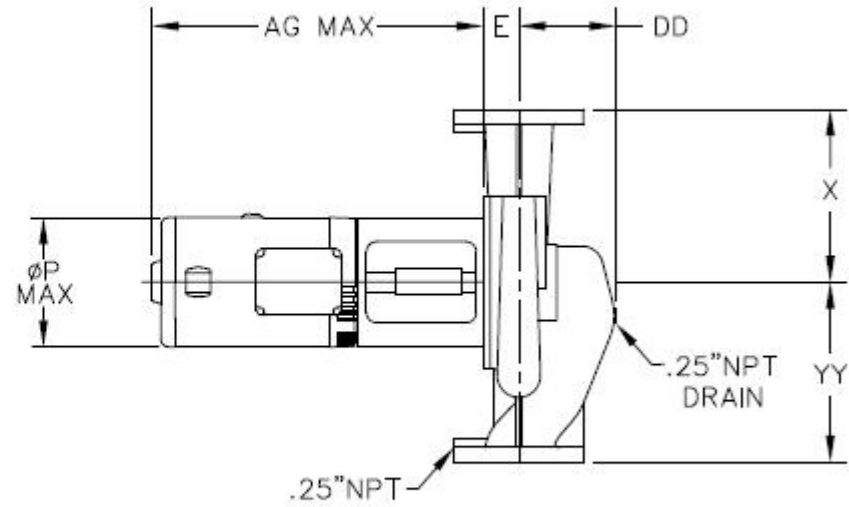
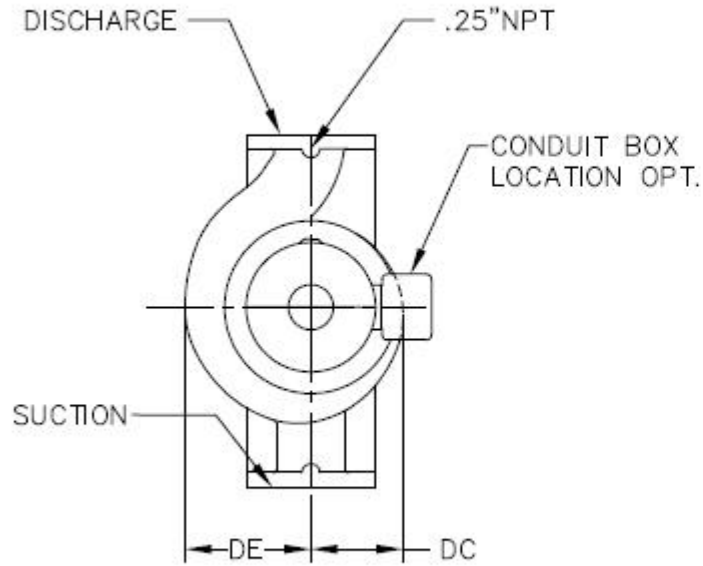
VLS 12707
1730 rpm

Part Number N/A

Conditions of Service		Pump Data		Motor Data	
Flow	57.71 USgpm	Impeller Diameter	7.10 in	Motor HP	3 HP
Head	45.43 ft	Max. Imp. Dia.	7.10 in	BHP	1.14 HP
Liquid	Cold Water	Min. Imp. Dia.	4.50 in	Enclosure	TEFC
Temperature	68.00 deg F	Efficiency	57.9 %	Voltage	230/460 V
NPSHr	7.47 ft	Suction	1.25 in.	Phase	3 Phase
Viscosity	1.00 cP	Discharge	1.25 in.	Cycle	60
Specific Gravity	1.000 SG	PEI (CL)	0.86	Frame Size	182TC
		ER (CL)	14		



Grundfos Series VLS - In-Line Centrifugal Pump, Split Coupled



NOT FOR CONSTRUCTION, unless certified and referenced on order

Units	Frame	S x D	AG (Max)	DC	DD	DE	E	P (Max)	X	YY	Weight
inches	182TC	1.25 X 1.25	30.00	4.19	4.13	4.38	1.63	13.25	7.00	7.00	TBD