

PROJECT: _____	UNIT TAG: _____	QUANTITY: _____
REPRESENTATIVE: _____	TYPE OF SERVICE: _____	DATE: _____
ENGINEER: _____	SUBMITTED BY: _____	DATE: _____
CONTRACTOR: _____	APPROVED BY: _____	DATE: _____
	ORDER NO.: _____	DATE: _____

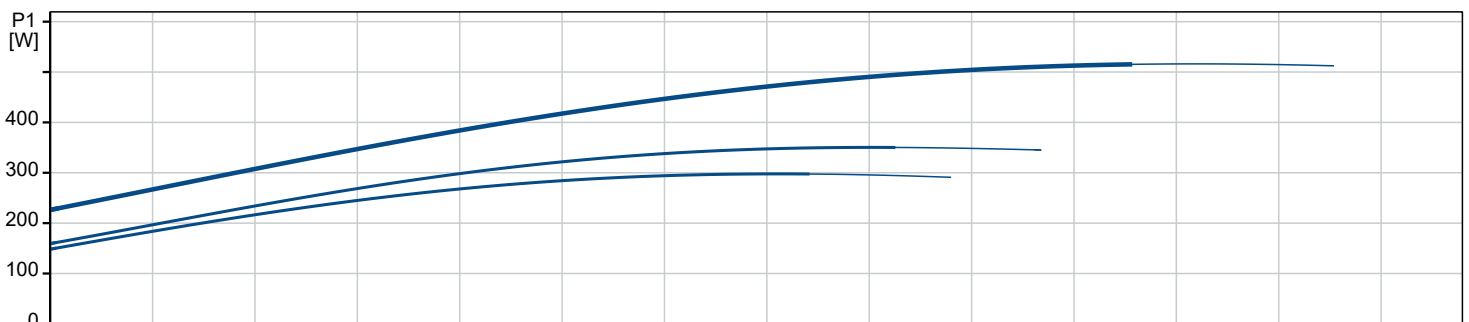
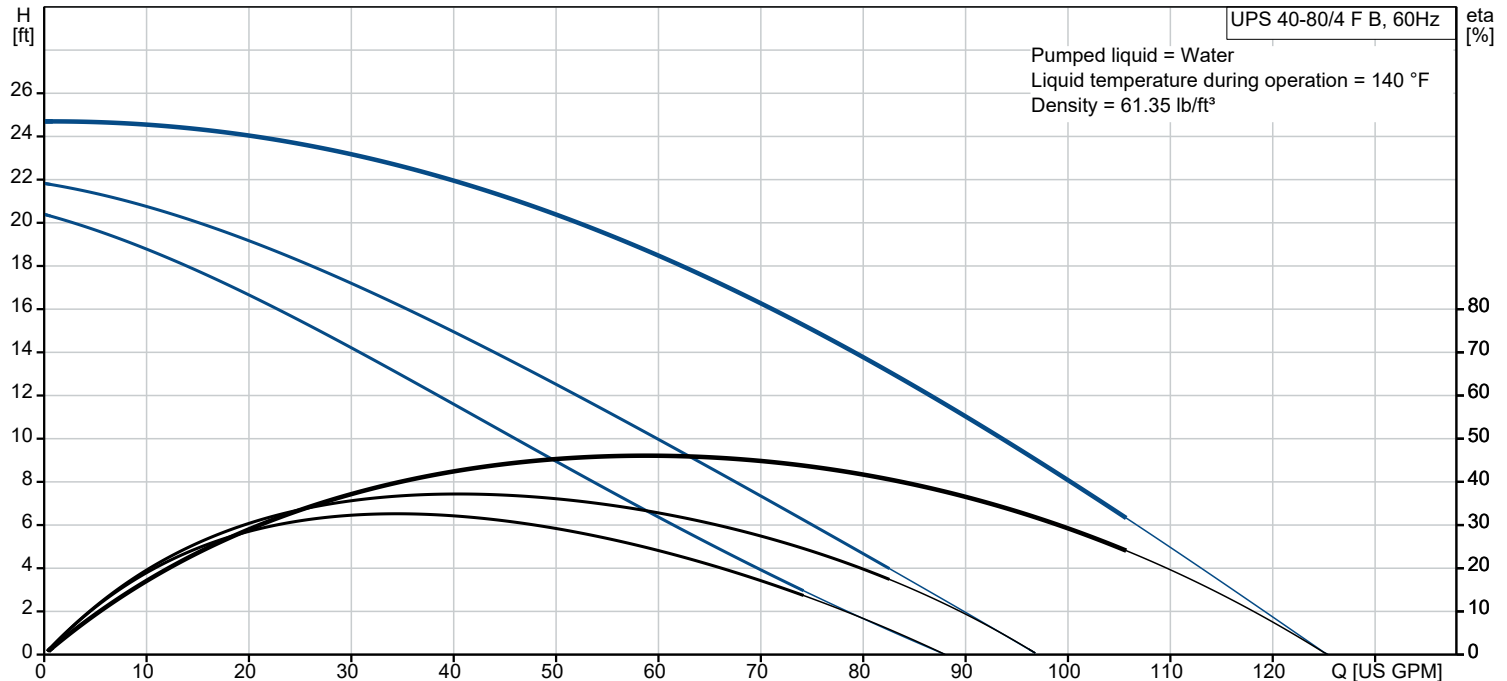


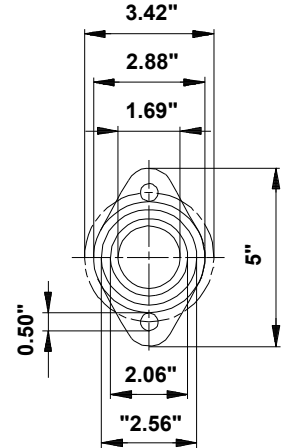
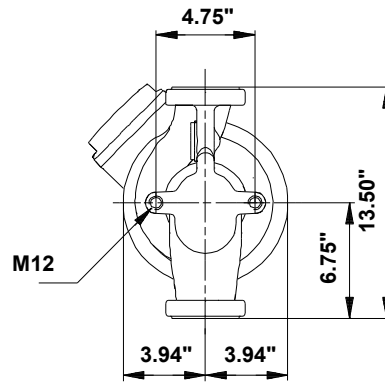
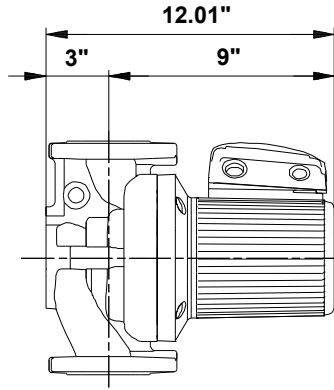
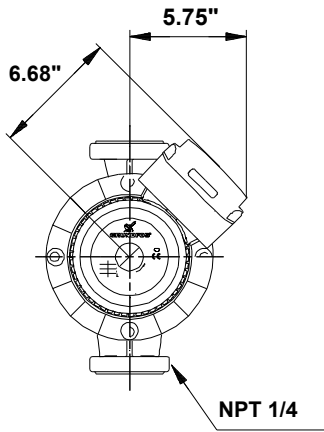
UPS 40-80/4 F B

UPS B is a three-speed circulator pump with a corrosion-resistant bronze pump housing designed for hot-water recirculation. The pump provides reliable and maintenance-free operation.

Note! Product picture may differ from actual product

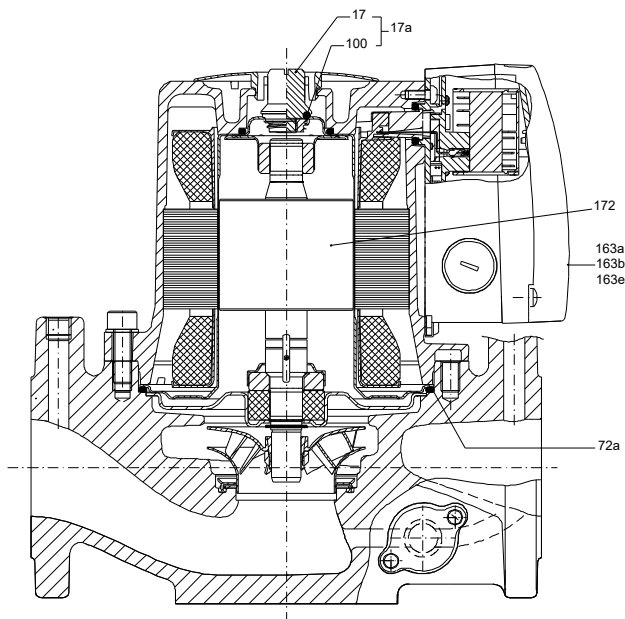
Conditions of Service		Pump Data		Motor Data	
Liquid:	Water	Maximum operating pressure:	145.04 psi	Max. power input:	550 W
Temperature:	140 °F	Liquid temperature range:	14 .. 248 °F	Rated voltage:	208-230 V
Specific Gravity:	0.985	Maximum ambient temperature:	104 °F	Mains frequency:	60 Hz
		Approvals:	CUL	Number of poles:	4
		Type of connection:	F	Enclosure class:	X4D
		Flange standard:	USA Oval	Insulation class:	H
		Pipe connection:	GF 40/43	Motor protection:	CONTACT
		Product number:	96404955	Thermal protection:	external





Materials:

- Pump housing: Bronze
- Pump housing: DIN W.-Nr. 2.1176.01
- Impeller: Stainless steel
- Impeller: DIN W.-Nr. 1.4301
- Impeller: AISI 304



Qty.	Description
1	<p>UPS 40-80/4 F B Product No.: 96404955 The pump is of the canned rotor type, i.e. pump and motor form an integral unit without shaft seal and with only two gaskets for sealing. The bearings are lubricated by the pumped liquid.</p> <p>In order to avoid problems in connection with disposal, great importance has been attached to using as few different materials as possible. The pump is characterized by:</p> <ul style="list-style-type: none"> * 3 speed motor. * Ceramic radial bearings. * Carbon axial bearing. * Stainless steel rotor can, bearing plate and rotor cladding. * Aluminium alloy stator housing. * Bronze pump housing. * Stator with built-in thermal switch. <p>The motor is a 3-phase motor.</p> <p>The pump is supplied with a standard module in the terminal box. The standard module is to be connected to the mains supply via external contactor.</p> <p>Controls: Relay: without relay</p> <p>Liquid: Pumped liquid: Water Liquid temperature range: 14 .. 248 °F Selected liquid temperature: 140 °F Density: 61.35 lb/ft³</p> <p>Technical: Approvals: CUL</p> <p>Materials: Pump housing: Bronze DIN W.-Nr. 2.1176.01 Impeller: Stainless steel DIN W.-Nr. 1.4301 AISI 304</p> <p>Installation: Range of ambient temperature: 32 .. 104 °F Maximum operating pressure: 145.04 psi Flange standard: USA Oval Type of connection: F Pipe connection: GF 40/43 Pressure rating: 145 psi Port-to-port length: 13 1/2 in</p> <p>Electrical data: Power input in speed 1: 0.409 HP Power input in speed 2: 370 W Max. power input: 550 W Mains frequency: 60 Hz Rated voltage: 3 x 208-230 V Current in speed 1: 1 A Current in speed 2: 1.2 A Current in speed 3: 1.98 A</p>



Company name: Hurley Engineering

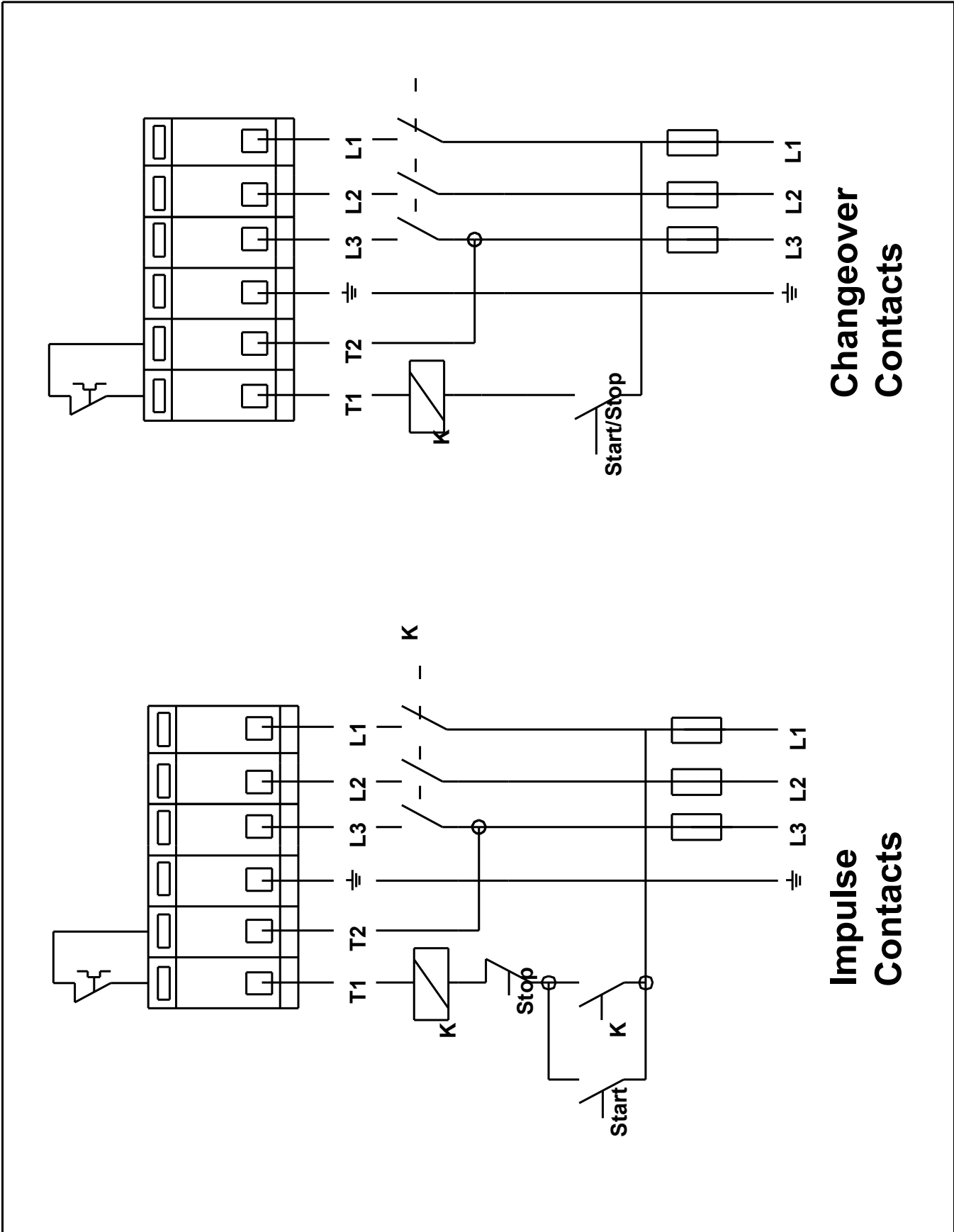
Created by:

Phone:

Date: 05/12/2022

Qty.	Description																						
1	<table><tr><td>Cos phi in speed 1:</td><td>0.77</td></tr><tr><td>Cos phi in speed 2:</td><td>0.77</td></tr><tr><td>Cos phi:</td><td>0.7</td></tr><tr><td>Number of poles:</td><td>4</td></tr><tr><td>Enclosure class (IEC 34-5):</td><td>X4D</td></tr><tr><td>Insulation class (IEC 85):</td><td>H</td></tr><tr><td>Winding resistance:</td><td>46.5 - 61.0 ohm</td></tr><tr><td colspan="2">Others:</td></tr><tr><td>Net weight:</td><td>52 lb</td></tr><tr><td>Gross weight:</td><td>64.2 lb</td></tr><tr><td>Shipping volume:</td><td>3.46 ft³</td></tr></table>	Cos phi in speed 1:	0.77	Cos phi in speed 2:	0.77	Cos phi:	0.7	Number of poles:	4	Enclosure class (IEC 34-5):	X4D	Insulation class (IEC 85):	H	Winding resistance:	46.5 - 61.0 ohm	Others:		Net weight:	52 lb	Gross weight:	64.2 lb	Shipping volume:	3.46 ft ³
Cos phi in speed 1:	0.77																						
Cos phi in speed 2:	0.77																						
Cos phi:	0.7																						
Number of poles:	4																						
Enclosure class (IEC 34-5):	X4D																						
Insulation class (IEC 85):	H																						
Winding resistance:	46.5 - 61.0 ohm																						
Others:																							
Net weight:	52 lb																						
Gross weight:	64.2 lb																						
Shipping volume:	3.46 ft ³																						

96404955 UPS 40-80/4 F B 60 Hz



Note! All units are in [in] unless others are stated.