

| | | |
|-----------------------|------------------------|-----------------|
| PROJECT: _____ | UNIT TAG: _____ | QUANTITY: _____ |
| REPRESENTATIVE: _____ | TYPE OF SERVICE: _____ | DATE: _____ |
| ENGINEER: _____ | SUBMITTED BY: _____ | DATE: _____ |
| CONTRACTOR: _____ | APPROVED BY: _____ | DATE: _____ |
| | ORDER NO.: _____ | DATE: _____ |

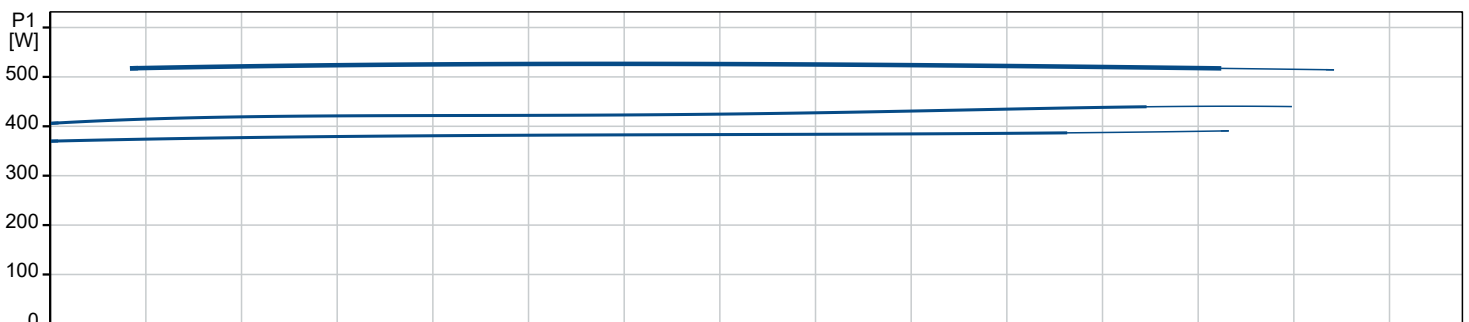
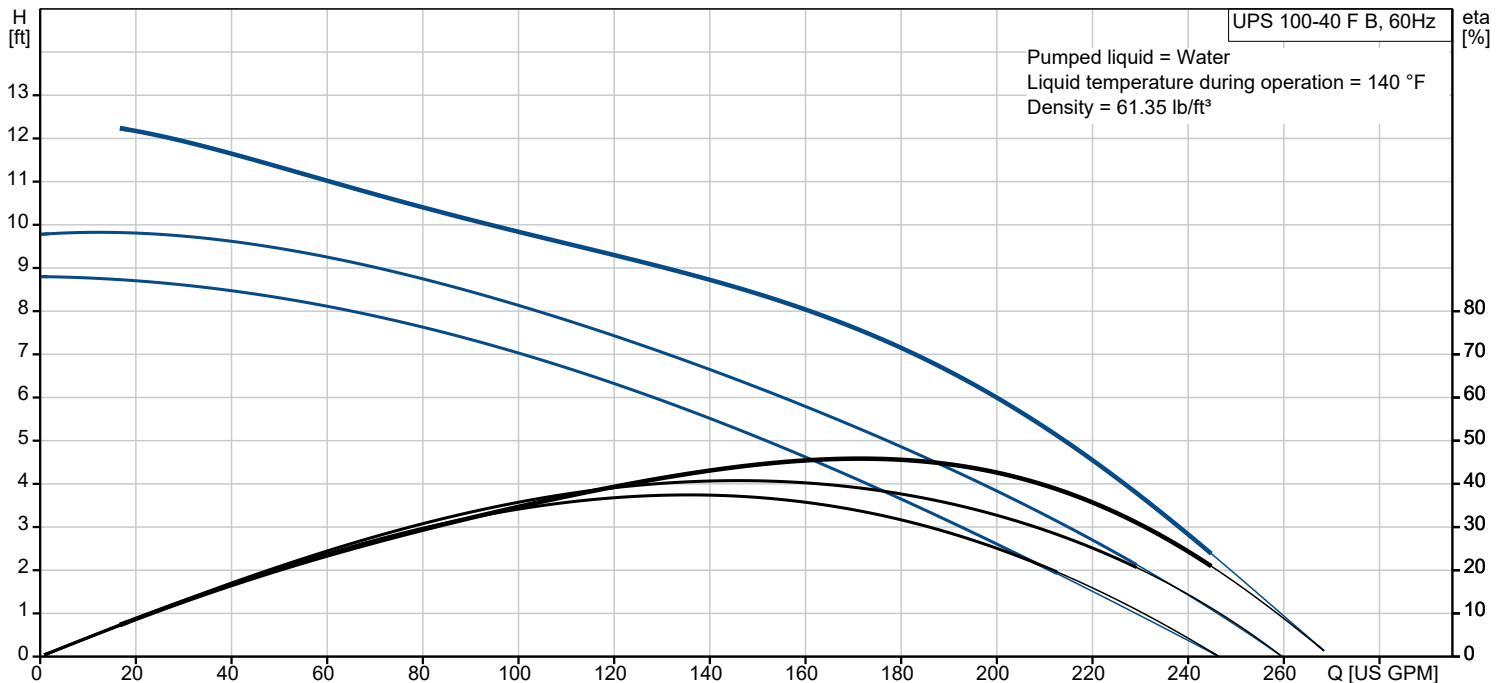


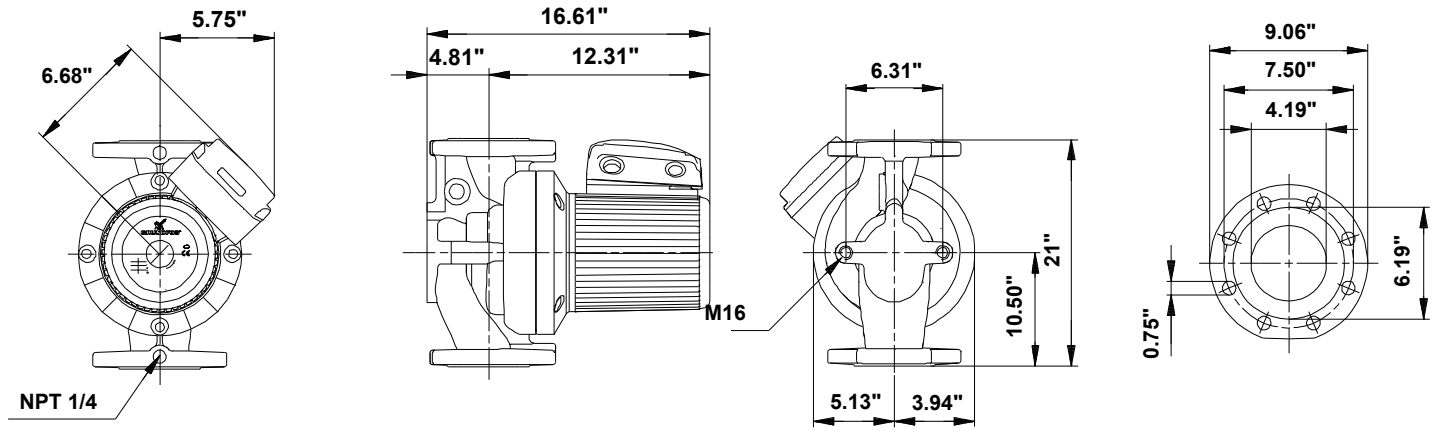
UPS 100-40 F B

UPS B is a three-speed circulator pump with a corrosion-resistant bronze pump housing designed for hot-water recirculation. The pump provides reliable and maintenance-free operation.

Note! Product picture may differ from actual product

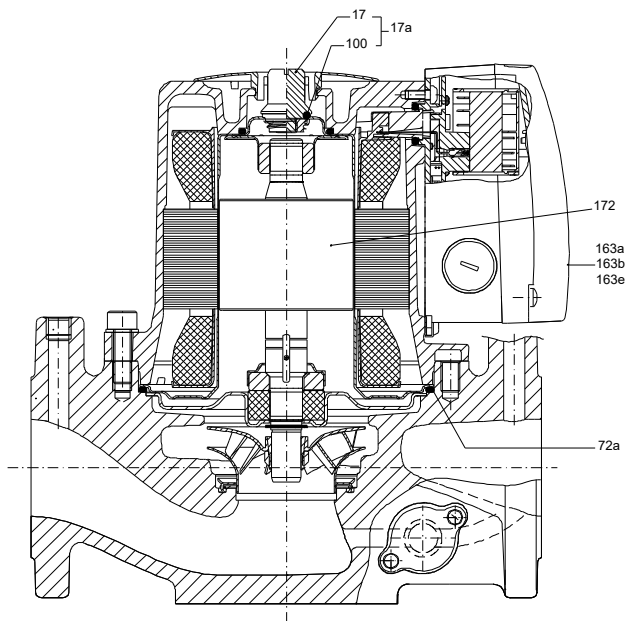
| Conditions of Service | | Pump Data | | Motor Data | |
|-----------------------|--------|------------------------------|--------------|---------------------|-----------|
| Liquid: | Water | Maximum operating pressure: | 145.04 psi | Max. power input: | 570 W |
| Temperature: | 140 °F | Liquid temperature range: | 14 .. 248 °F | Rated voltage: | 208-230 V |
| Specific Gravity: | 0.985 | Maximum ambient temperature: | 104 °F | Mains frequency: | 60 Hz |
| | | Approvals: | CUL | Enclosure class: | X4D |
| | | Type of connection: | F | Insulation class: | H |
| | | Flange standard: | ANSI | Motor protection: | CONTACT |
| | | Pipe connection: | GF 100 | Thermal protection: | external |
| | | Product number: | 96402937 | | |





Materials:

- Pump housing: Bronze
- Pump housing: DIN W.-Nr. 2.1176.01
- Impeller: Stainless steel
- Impeller: DIN W.-Nr. 1.4301
- Impeller: AISI 304





Company name: Hurley Engineering

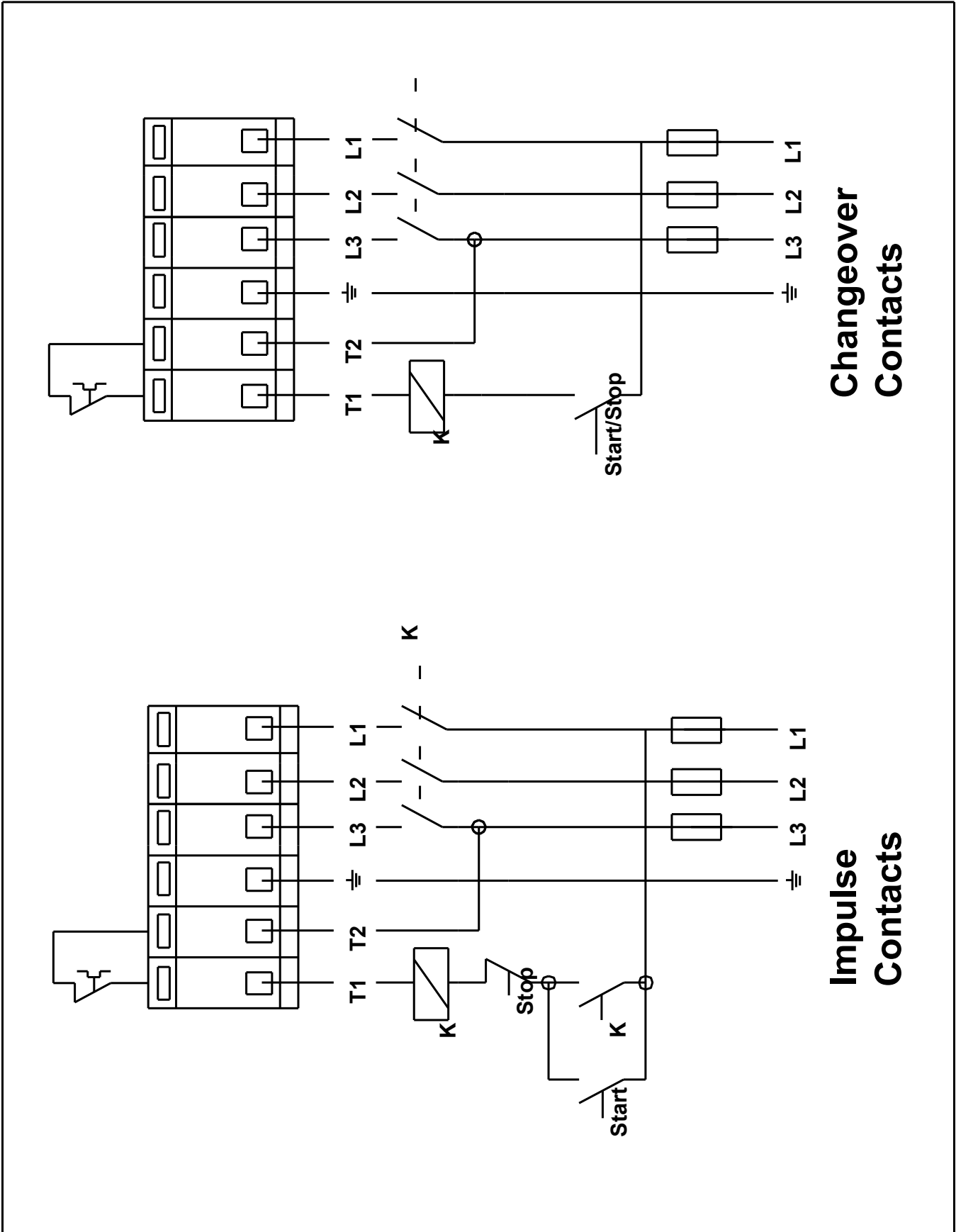
Created by:

Phone:

Date: 05/12/2022

| Qty. | Description | | | | | | | | | | | | | | | | | | | | |
|-----------------------------|---|---------------------|------|---------------------|------|----------|------|-----------------------------|-----|----------------------------|---|---------------------|-----------------|---------|--|-------------|--------|---------------|--------|------------------|----------------------|
| 1 | <table><tr><td>Cos phi in speed 1:</td><td>0.43</td></tr><tr><td>Cos phi in speed 2:</td><td>0.41</td></tr><tr><td>Cos phi:</td><td>0.29</td></tr><tr><td>Enclosure class (IEC 34-5):</td><td>X4D</td></tr><tr><td>Insulation class (IEC 85):</td><td>H</td></tr><tr><td>Winding resistance:</td><td>27.5 - 36.0 ohm</td></tr><tr><td colspan="2">Others:</td></tr><tr><td>Net weight:</td><td>140 lb</td></tr><tr><td>Gross weight:</td><td>165 lb</td></tr><tr><td>Shipping volume:</td><td>2.51 ft³</td></tr></table> | Cos phi in speed 1: | 0.43 | Cos phi in speed 2: | 0.41 | Cos phi: | 0.29 | Enclosure class (IEC 34-5): | X4D | Insulation class (IEC 85): | H | Winding resistance: | 27.5 - 36.0 ohm | Others: | | Net weight: | 140 lb | Gross weight: | 165 lb | Shipping volume: | 2.51 ft ³ |
| Cos phi in speed 1: | 0.43 | | | | | | | | | | | | | | | | | | | | |
| Cos phi in speed 2: | 0.41 | | | | | | | | | | | | | | | | | | | | |
| Cos phi: | 0.29 | | | | | | | | | | | | | | | | | | | | |
| Enclosure class (IEC 34-5): | X4D | | | | | | | | | | | | | | | | | | | | |
| Insulation class (IEC 85): | H | | | | | | | | | | | | | | | | | | | | |
| Winding resistance: | 27.5 - 36.0 ohm | | | | | | | | | | | | | | | | | | | | |
| Others: | | | | | | | | | | | | | | | | | | | | | |
| Net weight: | 140 lb | | | | | | | | | | | | | | | | | | | | |
| Gross weight: | 165 lb | | | | | | | | | | | | | | | | | | | | |
| Shipping volume: | 2.51 ft ³ | | | | | | | | | | | | | | | | | | | | |

96402937 UPS 100-40 F B 60 Hz



Note! All units are in [in] unless others are stated.