

PROJECT: _____	UNIT TAG: _____	QUANTITY: _____
REPRESENTATIVE: _____	TYPE OF SERVICE: _____	DATE: _____
ENGINEER: _____	SUBMITTED BY: _____	DATE: _____
CONTRACTOR: _____	APPROVED BY: _____	DATE: _____
	ORDER NO.: _____	DATE: _____

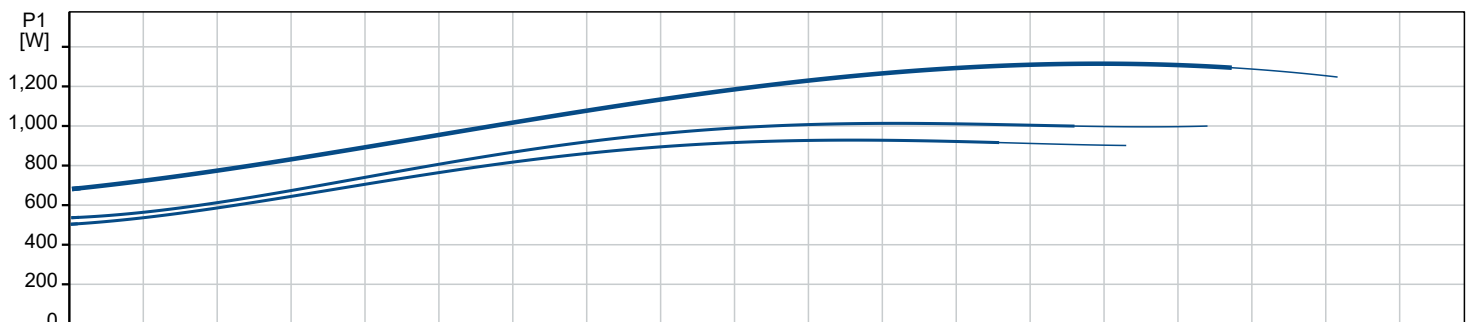
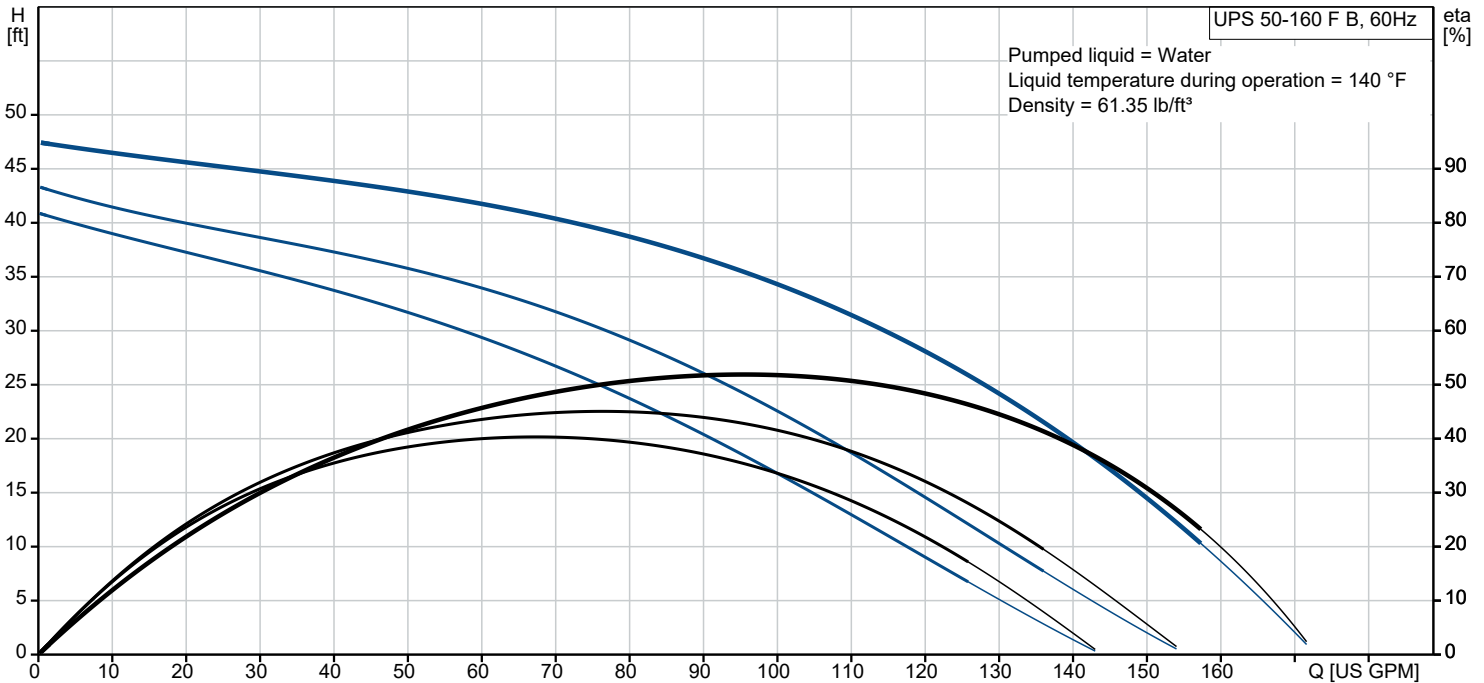


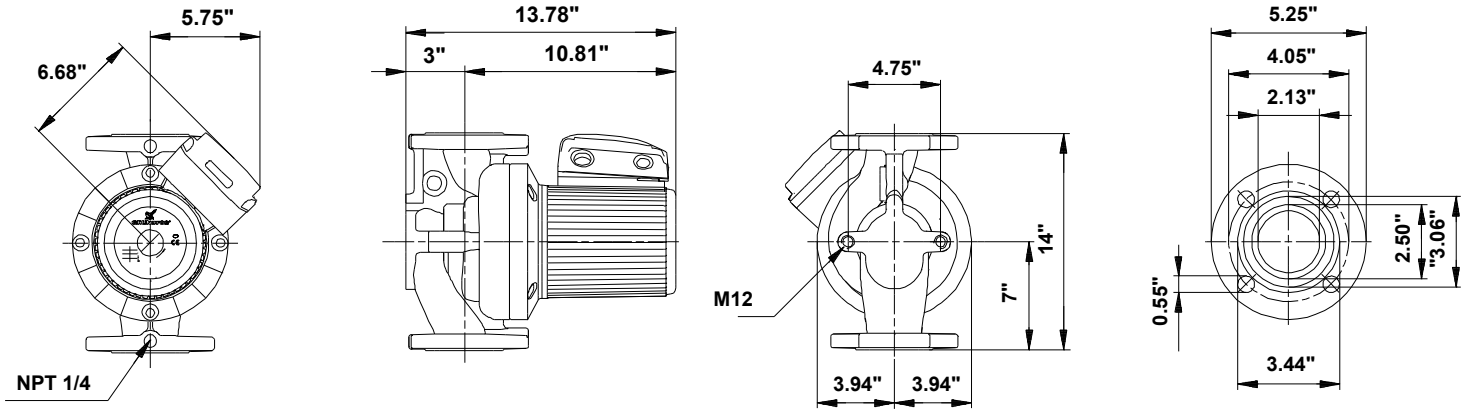
UPS 50-160 F B

UPS B is a three-speed circulator pump with a corrosion-resistant bronze pump housing designed for hot-water recirculation. The pump provides reliable and maintenance-free operation.

Note! Product picture may differ from actual product

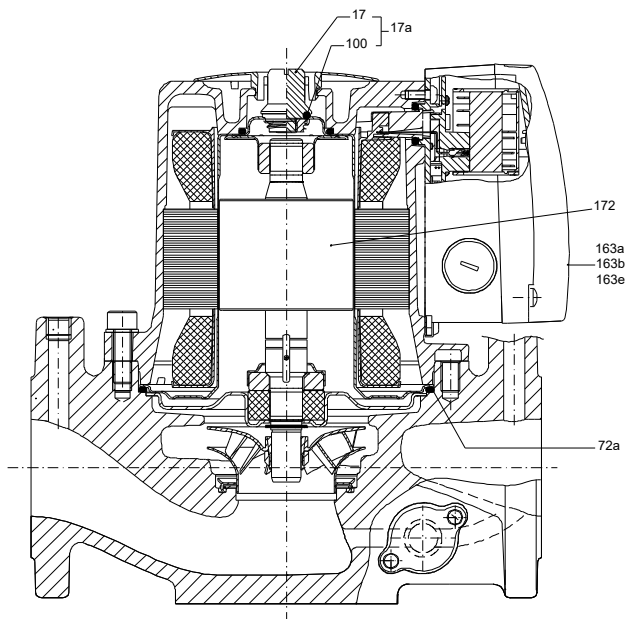
Conditions of Service		Pump Data		Motor Data	
Liquid:	Water	Maximum operating pressure:	145.04 psi	Max. power input:	1300 W
Temperature:	140 °F	Liquid temperature range:	14 .. 248 °F	Rated voltage:	208-230 V
Specific Gravity:	0.985	Maximum ambient temperature:	104 °F	Mains frequency:	60 Hz
		Approvals:	CUL	Enclosure class:	X4D
		Type of connection:	F	Insulation class:	H
		Flange standard:	USA	Motor protection:	CONTACT
		Pipe connection:	GF 50	Thermal protection:	external
		Product number:	96402866		





Materials:

- Pump housing: Bronze
- Pump housing: DIN W.-Nr. 2.1176.01
- Impeller: Stainless steel
- Impeller: DIN W.-Nr. 1.4301
- Impeller: AISI 304





Company name: Hurley Engineering

Created by:

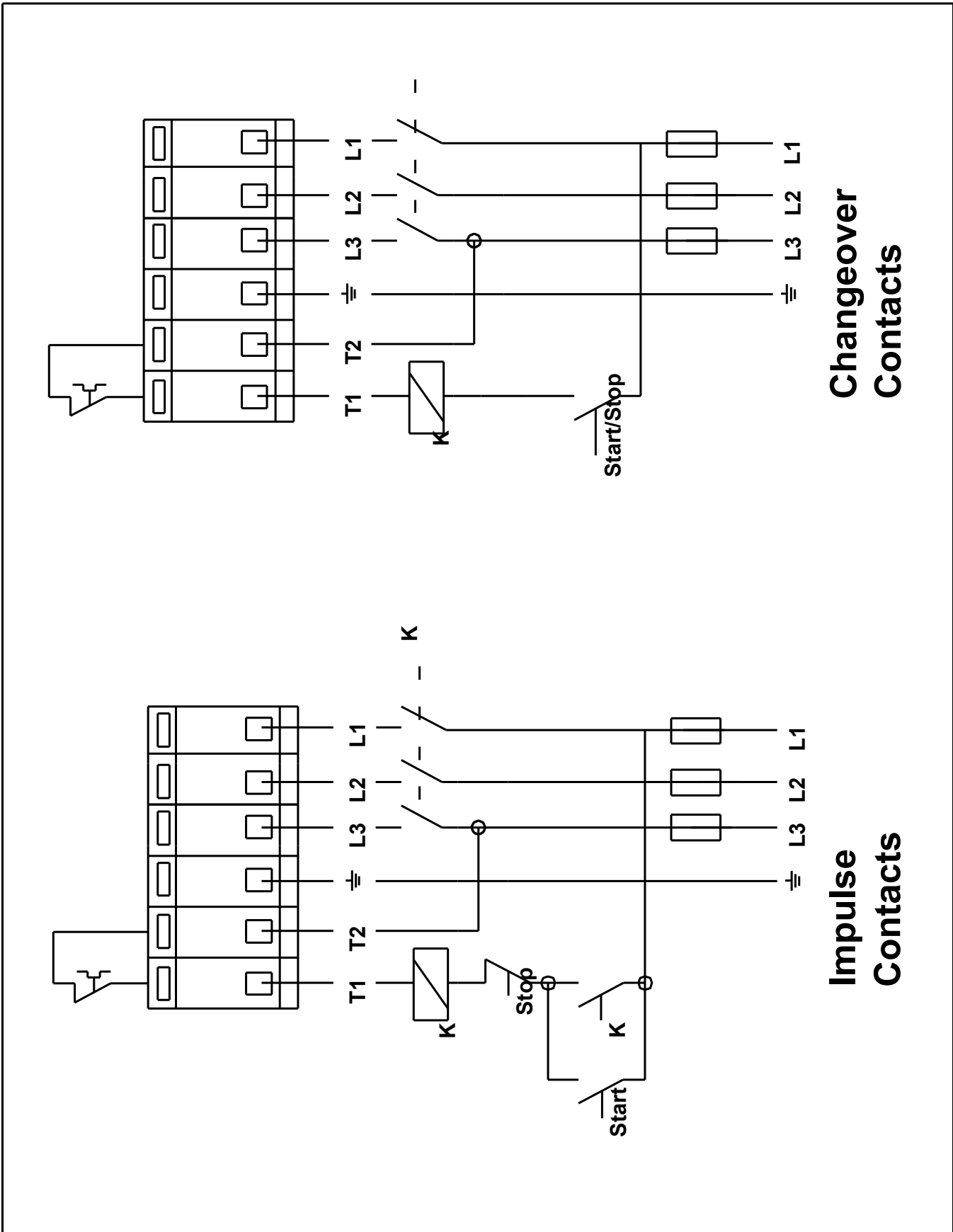
Phone:

Date:

05/12/2022

Qty.	Description
1	Cos phi in speed 1: 0.87 Cos phi in speed 2: 0.84 Cos phi: 0.82 Enclosure class (IEC 34-5): X4D Insulation class (IEC 85): H Winding resistance: 12.4 - 16.2 ohm Others: Net weight: 65.9 lb Gross weight: 69.2 lb Shipping volume: 3.46 ft ³

96402866 UPS 50-160 F B 60 Hz



Note! All units are in [in] unless others are stated.