

PROJECT: _____	UNIT TAG: _____	QUANTITY: _____
REPRESENTATIVE: _____	TYPE OF SERVICE: _____	DATE: _____
ENGINEER: _____	SUBMITTED BY: _____	DATE: _____
CONTRACTOR: _____	APPROVED BY: _____	DATE: _____
	ORDER NO.: _____	DATE: _____

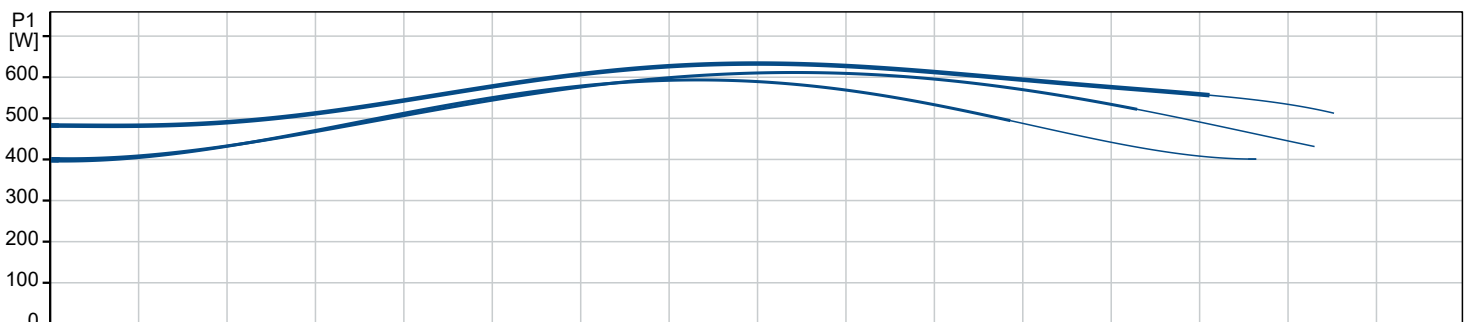
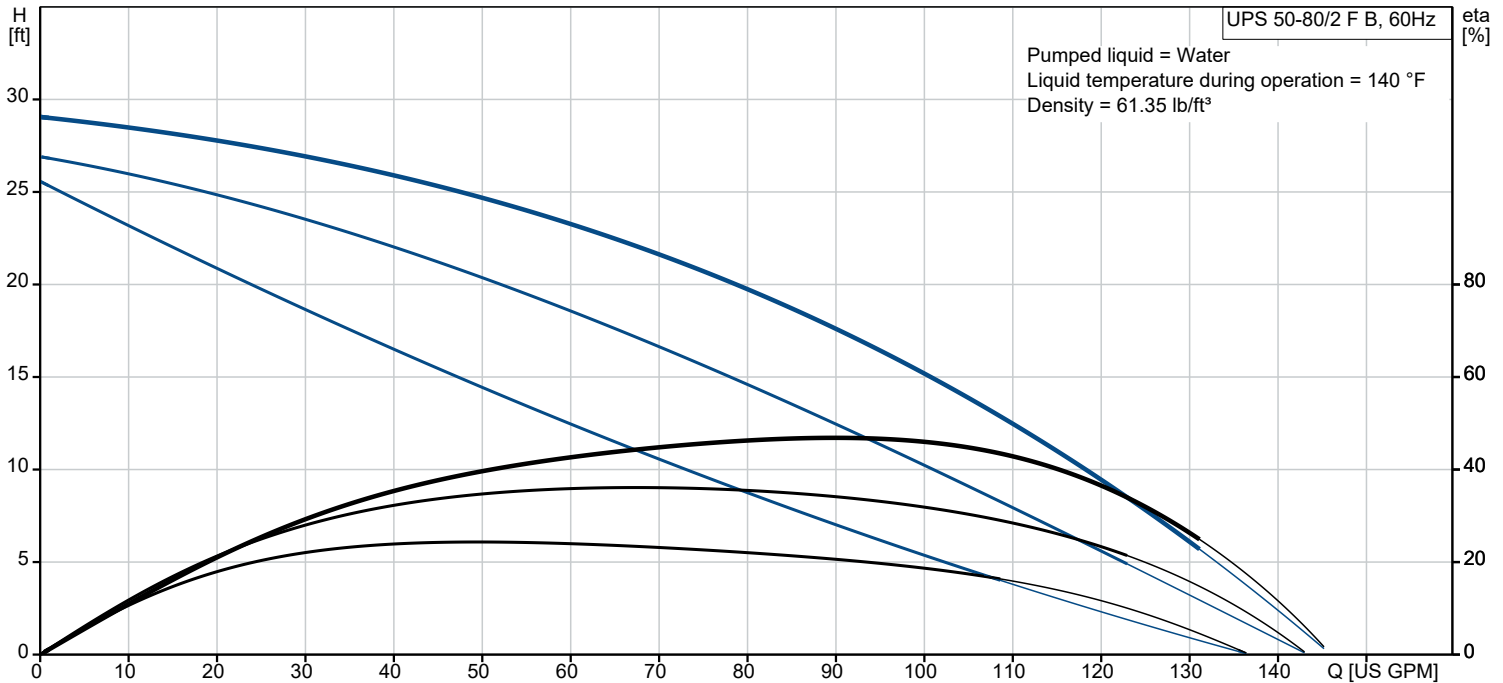


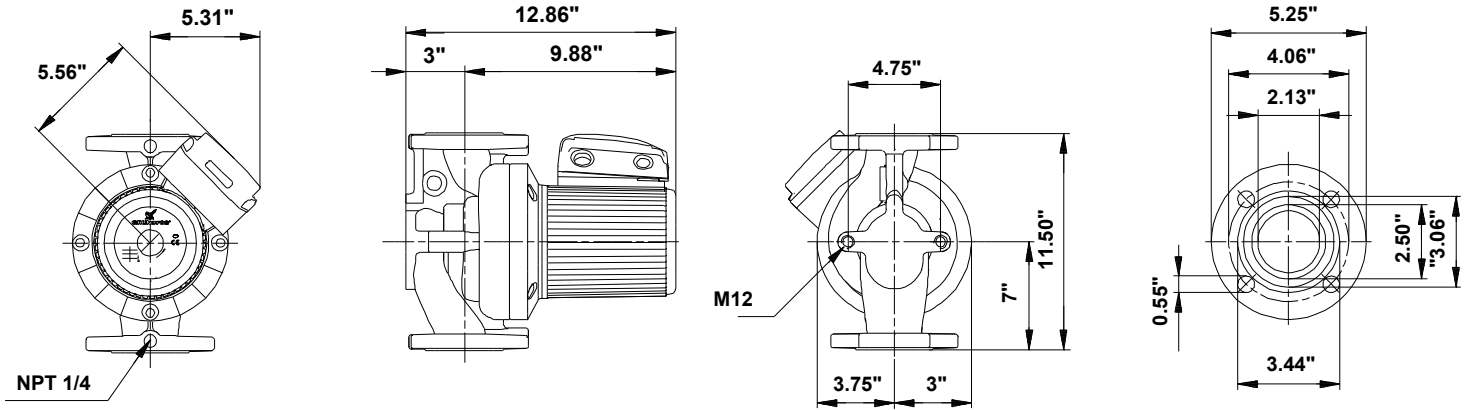
## UPS 50-80/2 F B

UPS B is a three-speed circulator pump with a corrosion-resistant bronze pump housing designed for hot-water recirculation. The pump provides reliable and maintenance-free operation.

Note! Product picture may differ from actual product

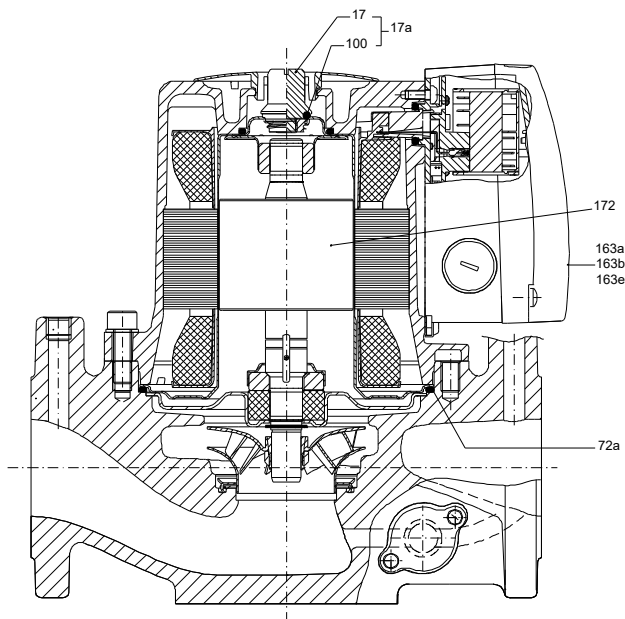
Conditions of Service		Pump Data		Motor Data	
Liquid:	Water	Maximum operating pressure:	145.04 psi	Max. power input:	630 W
Temperature:	140 °F	Liquid temperature range:	14 .. 248 °F	Rated voltage:	115 V
Specific Gravity:	0.985	Maximum ambient temperature:	104 °F	Mains frequency:	60 Hz
		Approvals:	CUL	Number of poles:	2
		Type of connection:	F	Enclosure class:	X4D
		Flange standard:	USA	Insulation class:	H
		Pipe connection:	GF 50	Motor protection:	CONTACT
		Product number:	96402843	Thermal protection:	internal





**Materials:**

- Pump housing: Bronze
- Pump housing: DIN W.-Nr. 2.1176.01
- Impeller: Stainless steel
- Impeller: DIN W.-Nr. 1.4301
- Impeller: AISI 304



Qty.	Description
1	<p data-bbox="111 246 311 280"><b>UPS 50-80/2 F B</b></p> <p data-bbox="111 280 391 313">Product No.: <a href="#">96402843</a></p> <p data-bbox="111 313 638 414">The pump is of the canned rotor type, i.e. pump and motor form an integral unit without shaft seal and with only two gaskets for sealing. The bearings are lubricatd by the pumped liquid.</p> <p data-bbox="111 459 646 560">In order to avoid problems in connection with disposal, great importance has been attached to using as few different materials as possible.</p> <p data-bbox="111 560 454 593">The pump is characterized by:</p> <ul data-bbox="159 593 614 828" style="list-style-type: none"> <li>* 3 speed motor.</li> <li>* Ceramic radial bearings.</li> <li>* Carbon axial bearing.</li> <li>* Stainless steel rotor can, bearing plate and rotor cladding.</li> <li>* Aluminium alloy stator housing.</li> <li>* Bronze pump housing.</li> <li>* Stator with built-in thermal switch.</li> </ul> <p data-bbox="111 851 454 884">The motor is a 1-phase motor.</p> <p data-bbox="111 907 526 974">The pump is supplied with a standard module in the terminal box.</p> <p data-bbox="111 974 630 1041">The standard module is to be connected to the mains supply via external contactor.</p> <p data-bbox="111 1064 223 1097"><b>Controls:</b></p> <p data-bbox="111 1097 598 1131">Relay: with relay</p> <p data-bbox="111 1153 199 1187"><b>Liquid:</b></p> <p data-bbox="111 1187 558 1220">Pumped liquid: Water</p> <p data-bbox="111 1220 614 1254">Liquid temperature range: 14 .. 248 °F</p> <p data-bbox="111 1254 566 1288">Selected liquid temperature: 140 °F</p> <p data-bbox="111 1288 614 1321">Density: 61.35 lb/ft³</p> <p data-bbox="111 1344 239 1377"><b>Technical:</b></p> <p data-bbox="111 1377 542 1411">Approvals: CUL</p> <p data-bbox="111 1433 231 1467"><b>Materials:</b></p> <p data-bbox="111 1467 726 1523">Pump housing: Bronze DIN W.-Nr. 2.1176.01</p> <p data-bbox="111 1523 694 1601">Impeller: Stainless steel DIN W.-Nr. 1.4301 AISI 304</p> <p data-bbox="111 1635 255 1668"><b>Installation:</b></p> <p data-bbox="111 1668 622 1702">Range of ambient temperature: 32 .. 104 °F</p> <p data-bbox="111 1702 606 1736">Maximum operating pressure: 145.04 psi</p> <p data-bbox="111 1736 542 1769">Flange standard: USA</p> <p data-bbox="111 1769 510 1803">Type of connection: F</p> <p data-bbox="111 1803 566 1836">Pipe connection: GF 50</p> <p data-bbox="111 1836 574 1870">Pressure rating: 145 psi</p> <p data-bbox="111 1870 582 1904">Port-to-port length: 11 1/2 in</p> <p data-bbox="111 1926 287 1960"><b>Electrical data:</b></p> <p data-bbox="111 1960 606 1993">Power input in speed 1: 0.8046 HP</p> <p data-bbox="111 1993 566 2027">Power input in speed 2: 610 W</p> <p data-bbox="111 2027 566 2060">Max. power input: 630 W</p> <p data-bbox="111 2060 558 2094">Mains frequency: 60 Hz</p> <p data-bbox="111 2094 598 2128">Rated voltage: 1 x 115 V</p> <p data-bbox="111 2128 550 2161">Current in speed 1: 5.8 A</p> <p data-bbox="111 2161 550 2195">Current in speed 2: 5.7 A</p> <p data-bbox="111 2195 566 2228">Current in speed 3: 5.85 A</p>



Company name: Hurley Engineering

Created by:

Phone:

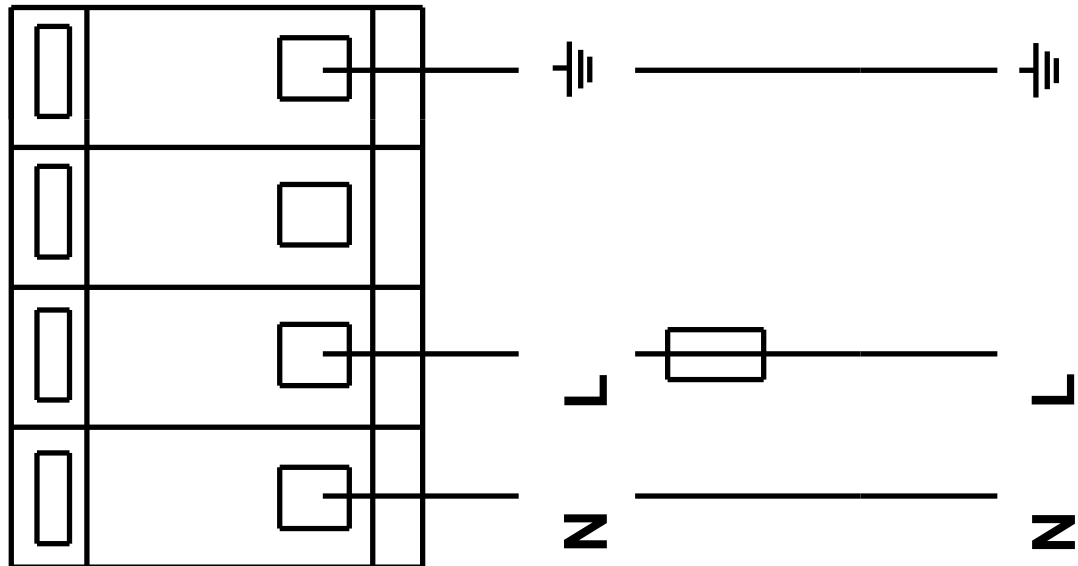
Date:

05/12/2022

Qty.	Description																						
1	<table><tr><td>Cos phi in speed 1:</td><td>0.9</td></tr><tr><td>Cos phi in speed 2:</td><td>0.93</td></tr><tr><td>Cos phi:</td><td>0.94</td></tr><tr><td>Capacitor size - run:</td><td>60 <math>\mu</math>F/250 V</td></tr><tr><td>Number of poles:</td><td>2</td></tr><tr><td>Enclosure class (IEC 34-5):</td><td>X4D</td></tr><tr><td>Insulation class (IEC 85):</td><td>H</td></tr><tr><td colspan="2">Others:</td></tr><tr><td>Net weight:</td><td>54.2 lb</td></tr><tr><td>Gross weight:</td><td>59.8 lb</td></tr><tr><td>Shipping volume:</td><td>2.08 ft<sup>3</sup></td></tr></table>	Cos phi in speed 1:	0.9	Cos phi in speed 2:	0.93	Cos phi:	0.94	Capacitor size - run:	60 $\mu$ F/250 V	Number of poles:	2	Enclosure class (IEC 34-5):	X4D	Insulation class (IEC 85):	H	Others:		Net weight:	54.2 lb	Gross weight:	59.8 lb	Shipping volume:	2.08 ft <sup>3</sup>
Cos phi in speed 1:	0.9																						
Cos phi in speed 2:	0.93																						
Cos phi:	0.94																						
Capacitor size - run:	60 $\mu$ F/250 V																						
Number of poles:	2																						
Enclosure class (IEC 34-5):	X4D																						
Insulation class (IEC 85):	H																						
Others:																							
Net weight:	54.2 lb																						
Gross weight:	59.8 lb																						
Shipping volume:	2.08 ft <sup>3</sup>																						

## 96402843 UPS 50-80/2 F B 60 Hz

1 Phase



Note! All units are in [in] unless others are stated.