

PROJECT: _____	UNIT TAG: _____	QUANTITY: _____
REPRESENTATIVE: _____	TYPE OF SERVICE: _____	DATE: _____
ENGINEER: _____	SUBMITTED BY: _____	DATE: _____
CONTRACTOR: _____	APPROVED BY: _____	DATE: _____
	ORDER NO.: _____	DATE: _____

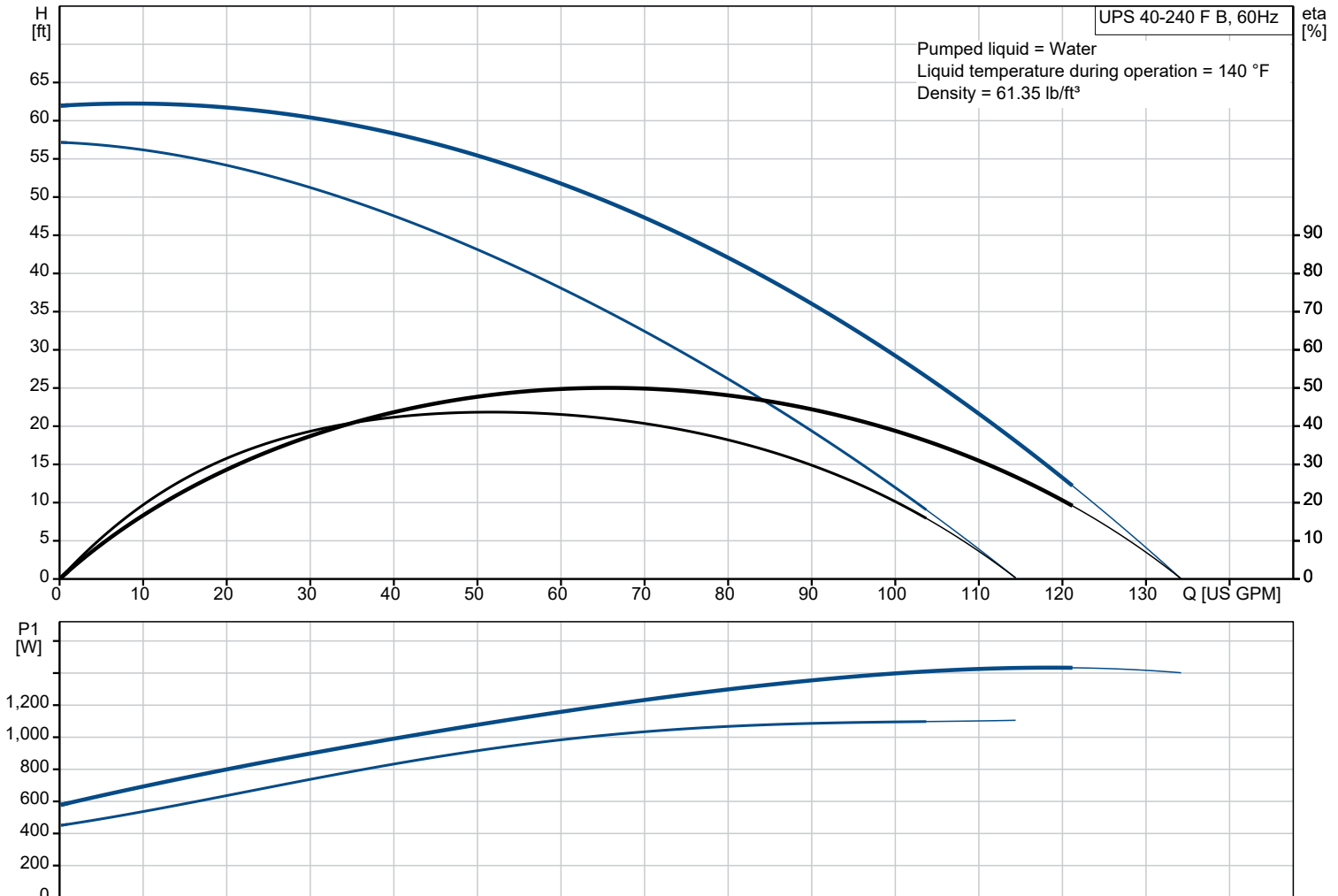


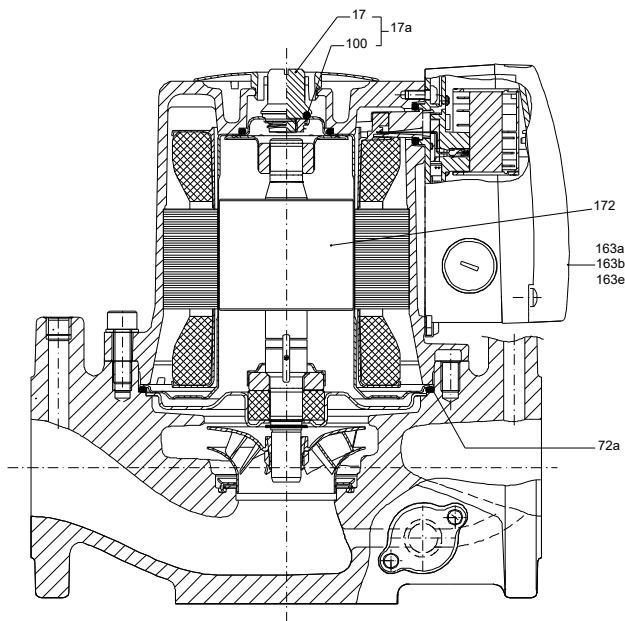
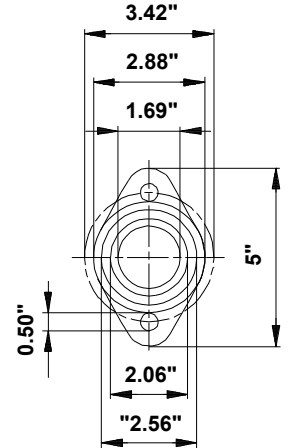
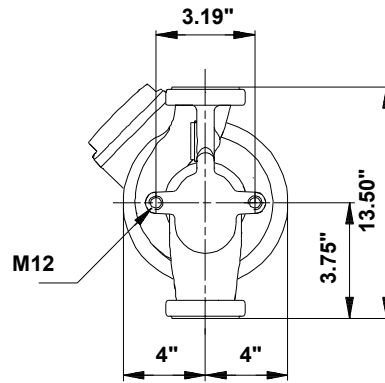
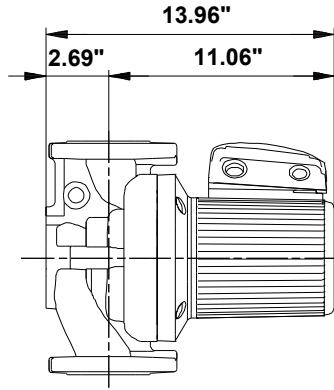
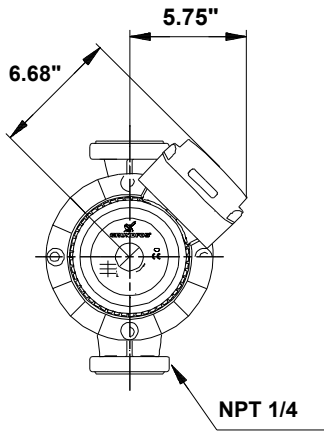
## UPS 40-240 F B

UPS B is a three-speed circulator pump with a corrosion-resistant bronze pump housing designed for hot-water recirculation. The pump provides reliable and maintenance-free operation.

Note! Product picture may differ from actual product

Conditions of Service		Pump Data		Motor Data	
Liquid:	Water	Maximum operating pressure:	145.04 psi	Max. power input:	1440 W
Temperature:	140 °F	Liquid temperature range:	14 .. 248 °F	Rated voltage:	460 V
Specific Gravity:	0.985	Maximum ambient temperature:	104 °F	Mains frequency:	60 Hz
		Approvals:	CUL	Enclosure class:	X4D
		Type of connection:	F	Insulation class:	H
		Flange standard:	USA Oval	Motor protection:	CONTACT
		Pipe connection:	GF 40/43	Thermal protection:	external
		Product number:	96402807		





**Materials:**

- Pump housing: Bronze
- Pump housing: DIN W.-Nr. 2.1176.01
- Impeller: Stainless steel
- Impeller: DIN W.-Nr. 1.4301
- Impeller: AISI 304

Qty.	Description
1	<p data-bbox="124 264 311 293"><b>UPS 40-240 F B</b></p> <p data-bbox="124 295 391 324">Product No.: <a href="#">96402807</a></p> <p data-bbox="124 327 646 443">The pump is of the canned rotor type, i.e. pump and motor form an integral unit without shaft seal and with only two gaskets for sealing. The bearings are lubricated by the pumped liquid.</p> <p data-bbox="124 472 646 560">In order to avoid problems in connection with disposal, great importance has been attached to using as few different materials as possible.</p> <p data-bbox="124 562 454 591">The pump is characterized by:</p> <ul data-bbox="159 593 614 828" style="list-style-type: none"><li>* 2 speed motor.</li><li>* Ceramic radial bearings.</li><li>* Carbon axial bearing.</li><li>* Stainless steel rotor can, bearing plate and rotor cladding.</li><li>* Aluminium alloy stator housing.</li><li>* Bronze pump housing.</li><li>* Stator with built-in thermal switch.</li></ul> <p data-bbox="124 857 454 887">The motor is a 3-phase motor.</p> <p data-bbox="124 916 534 976">The pump is supplied with a standard module in the terminal box.</p> <p data-bbox="124 978 630 1039">The standard module is to be connected to the mains supply via external contactor.</p> <p data-bbox="124 1068 231 1097"><b>Controls:</b></p> <p data-bbox="124 1099 630 1128">Relay: without relay</p> <p data-bbox="124 1158 199 1187"><b>Liquid:</b></p> <p data-bbox="124 1189 558 1218">Pumped liquid: Water</p> <p data-bbox="124 1220 614 1249">Liquid temperature range: 14 .. 248 °F</p> <p data-bbox="124 1252 566 1281">Selected liquid temperature: 140 °F</p> <p data-bbox="124 1283 606 1312">Density: 61.35 lb/ft<sup>3</sup></p> <p data-bbox="124 1341 239 1370"><b>Technical:</b></p> <p data-bbox="124 1373 542 1402">Approvals: CUL</p> <p data-bbox="124 1431 231 1460"><b>Materials:</b></p> <p data-bbox="124 1462 726 1520">Pump housing: Bronze DIN W.-Nr. 2.1176.01</p> <p data-bbox="124 1523 694 1606">Impeller: Stainless steel DIN W.-Nr. 1.4301 AISI 304</p> <p data-bbox="124 1635 247 1664"><b>Installation:</b></p> <p data-bbox="124 1666 614 1695">Range of ambient temperature: 32 .. 104 °F</p> <p data-bbox="124 1697 606 1727">Maximum operating pressure: 145.04 psi</p> <p data-bbox="124 1729 598 1758">Flange standard: USA Oval</p> <p data-bbox="124 1760 502 1789">Type of connection: F</p> <p data-bbox="124 1792 598 1821">Pipe connection: GF 40/43</p> <p data-bbox="124 1823 566 1852">Pressure rating: 145 psi</p> <p data-bbox="124 1854 582 1883">Port-to-port length: 13 1/2 in</p> <p data-bbox="124 1912 287 1942"><b>Electrical data:</b></p> <p data-bbox="124 1944 582 1973">Power input in speed 2: 1100 W</p> <p data-bbox="124 1975 582 2004">Max. power input: 1440 W</p> <p data-bbox="124 2007 558 2036">Mains frequency: 60 Hz</p> <p data-bbox="124 2038 598 2067">Rated voltage: 3 x 460 V</p> <p data-bbox="124 2069 566 2098">Current in speed 2: 1.63 A</p> <p data-bbox="124 2101 566 2130">Current in speed 3: 2.25 A</p> <p data-bbox="124 2132 542 2161">Cos phi in speed 2: 0.85</p> <p data-bbox="124 2163 526 2192">Cos phi: 0.8</p>



Company name: Hurley Engineering

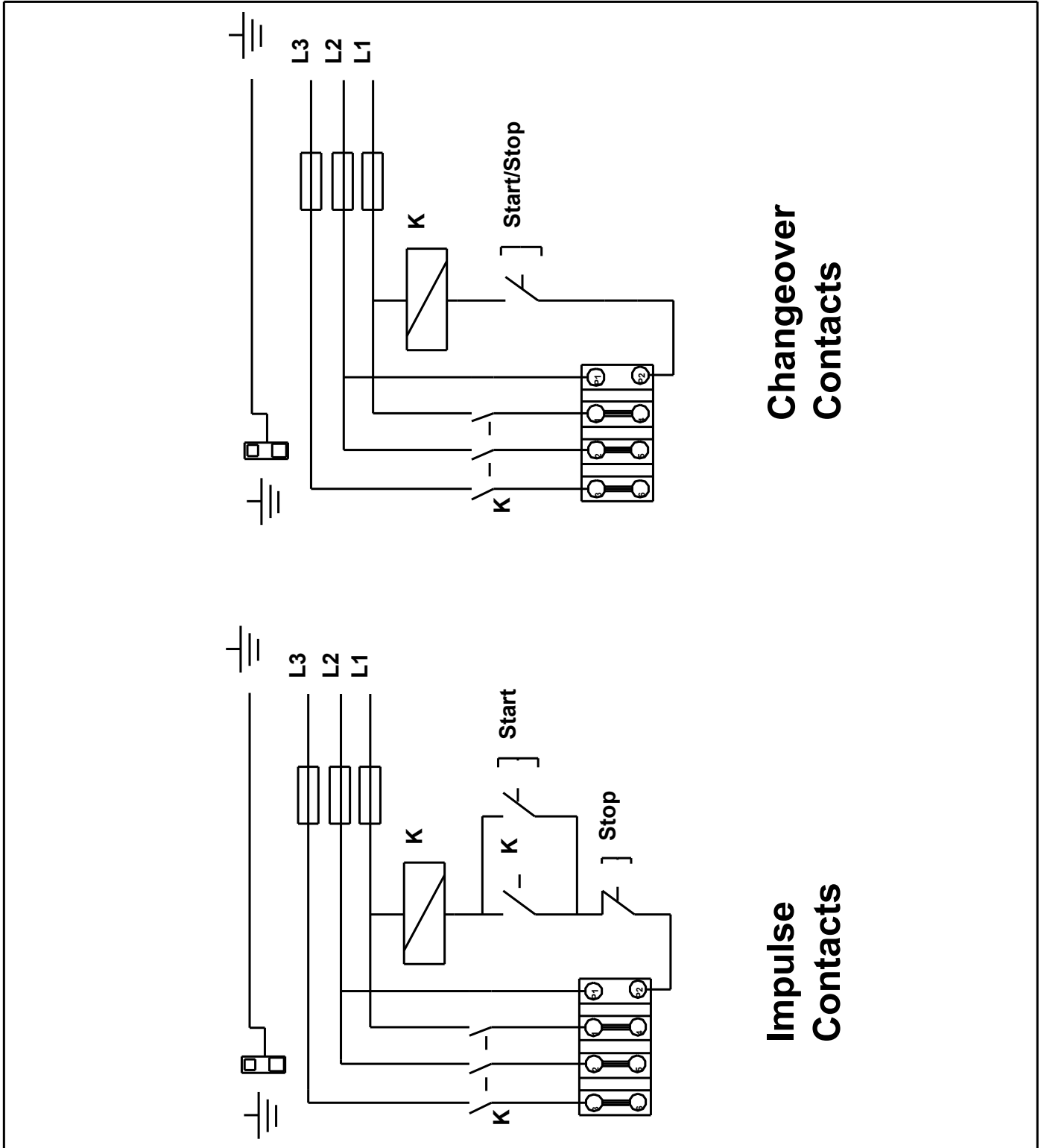
Created by:

Phone:

Date: 05/12/2022

Qty.	Description														
1	<table><tr><td>Enclosure class (IEC 34-5):</td><td>X4D</td></tr><tr><td>Insulation class (IEC 85):</td><td>H</td></tr><tr><td>Winding resistance:</td><td>22.0 - 29.0 ohm</td></tr><tr><td colspan="2">Others:</td></tr><tr><td>Net weight:</td><td>58.2 lb</td></tr><tr><td>Gross weight:</td><td>63.7 lb</td></tr><tr><td>Shipping volume:</td><td>3.46 ft<sup>3</sup></td></tr></table>	Enclosure class (IEC 34-5):	X4D	Insulation class (IEC 85):	H	Winding resistance:	22.0 - 29.0 ohm	Others:		Net weight:	58.2 lb	Gross weight:	63.7 lb	Shipping volume:	3.46 ft <sup>3</sup>
Enclosure class (IEC 34-5):	X4D														
Insulation class (IEC 85):	H														
Winding resistance:	22.0 - 29.0 ohm														
Others:															
Net weight:	58.2 lb														
Gross weight:	63.7 lb														
Shipping volume:	3.46 ft <sup>3</sup>														

## 96402807 UPS 40-240 F B 60 Hz



**Changeover  
Contacts**

**Impulse  
Contacts**

Note! All units are in [in] unless others are stated.