

PROJECT: _____	UNIT TAG: _____	QUANTITY: _____
REPRESENTATIVE: _____	TYPE OF SERVICE: _____	DATE: _____
ENGINEER: _____	SUBMITTED BY: _____	DATE: _____
CONTRACTOR: _____	APPROVED BY: _____	DATE: _____
	ORDER NO.: _____	DATE: _____

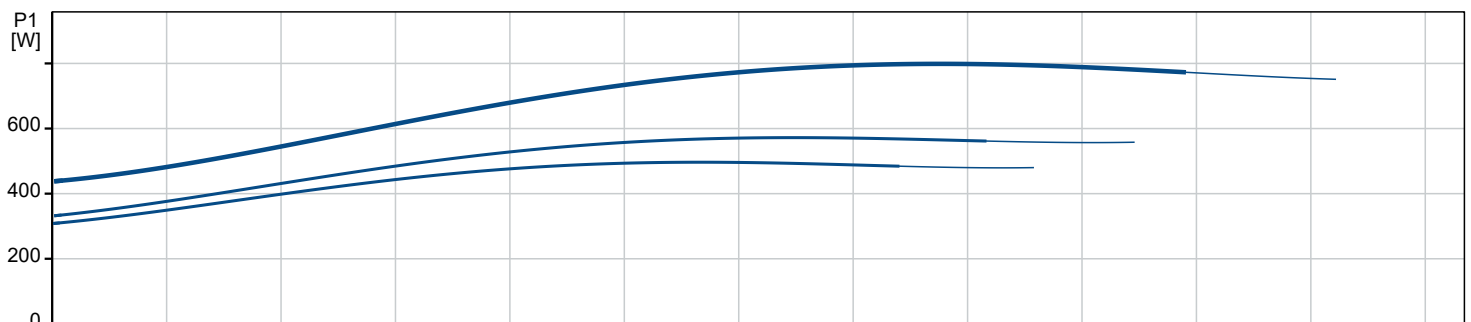
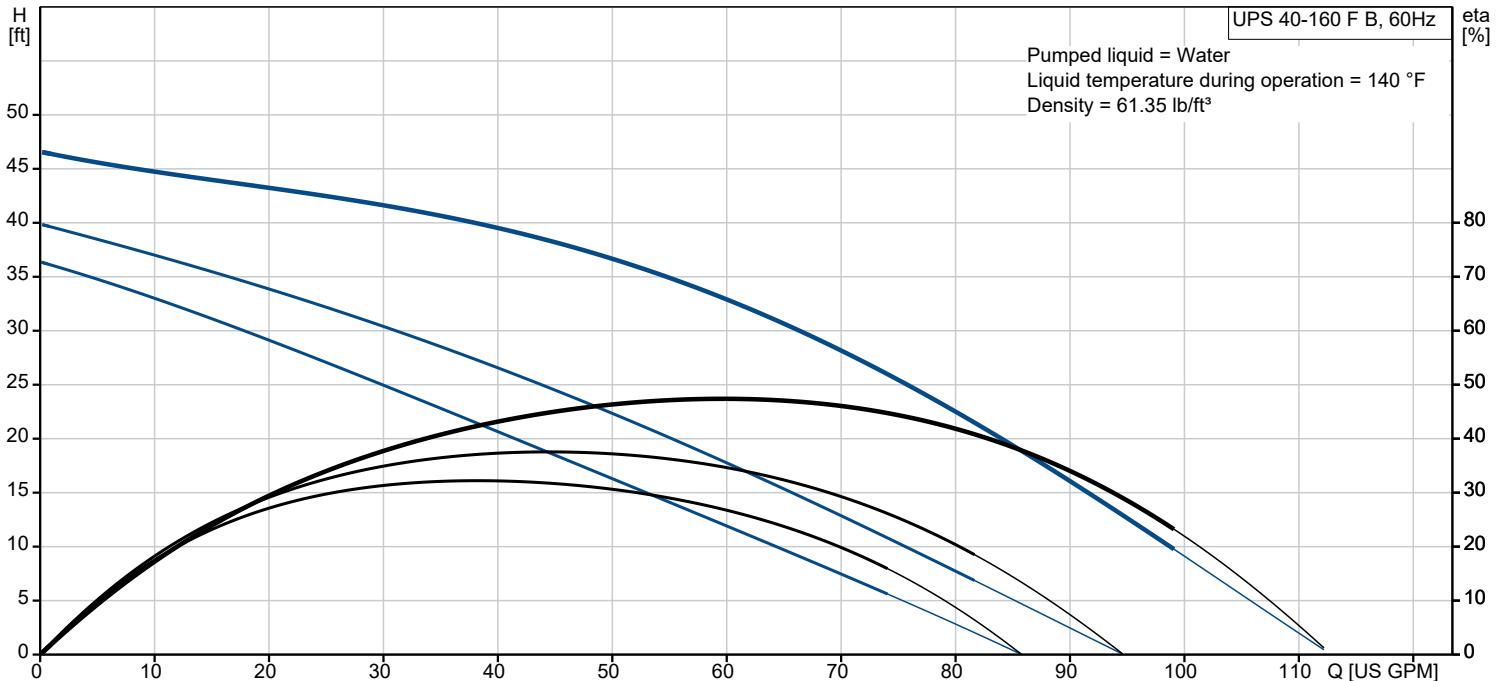


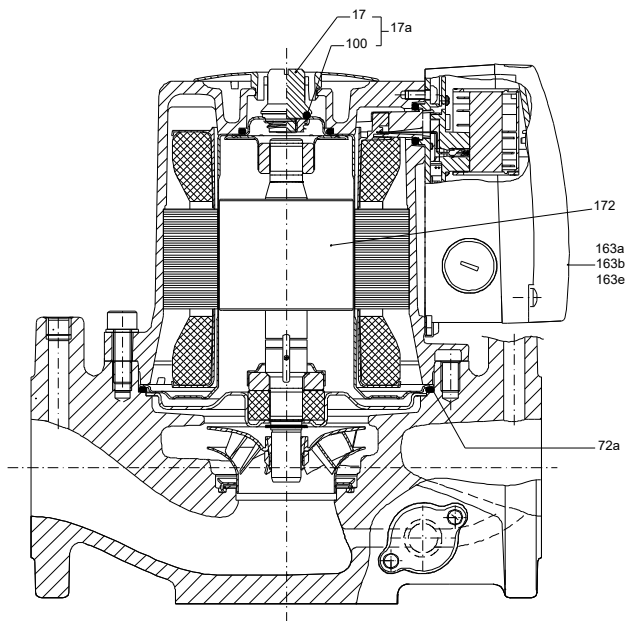
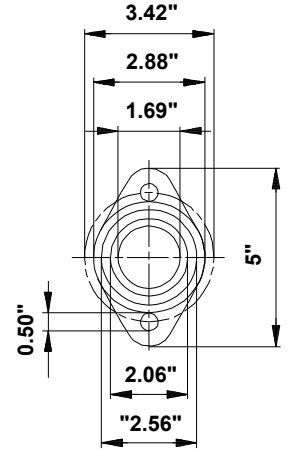
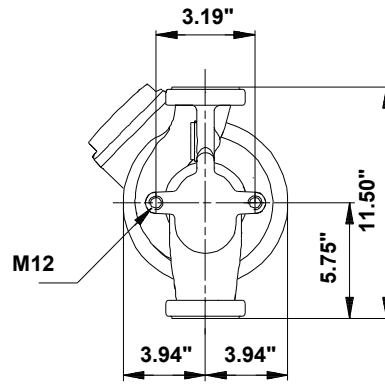
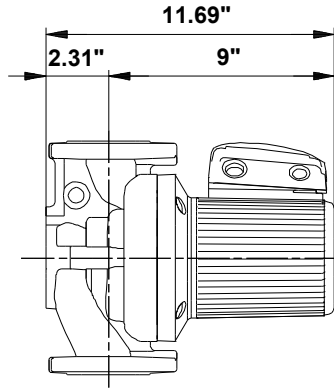
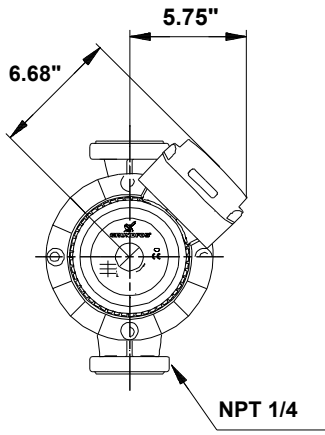
UPS 40-160 F B

UPS B is a three-speed circulator pump with a corrosion-resistant bronze pump housing designed for hot-water recirculation. The pump provides reliable and maintenance-free operation.

Note! Product picture may differ from actual product

Conditions of Service		Pump Data		Motor Data	
Liquid:	Water	Maximum operating pressure:	145.04 psi	Max. power input:	800 W
Temperature:	140 °F	Liquid temperature range:	14 .. 248 °F	Rated voltage:	208-230 V
Specific Gravity:	0.985	Maximum ambient temperature:	104 °F	Mains frequency:	60 Hz
		Approvals:	CUL	Enclosure class:	X4D
		Type of connection:	F	Insulation class:	H
		Flange standard:	USA Oval	Motor protection:	CONTACT
		Pipe connection:	GF 40/43	Thermal protection:	external
		Product number:	96402789		





Materials:

- Pump housing: Bronze
- Pump housing: DIN W.-Nr. 2.1176.01
- Impeller: Stainless steel
- Impeller: DIN W.-Nr. 1.4301
- Impeller: AISI 304



Company name: Hurley Engineering

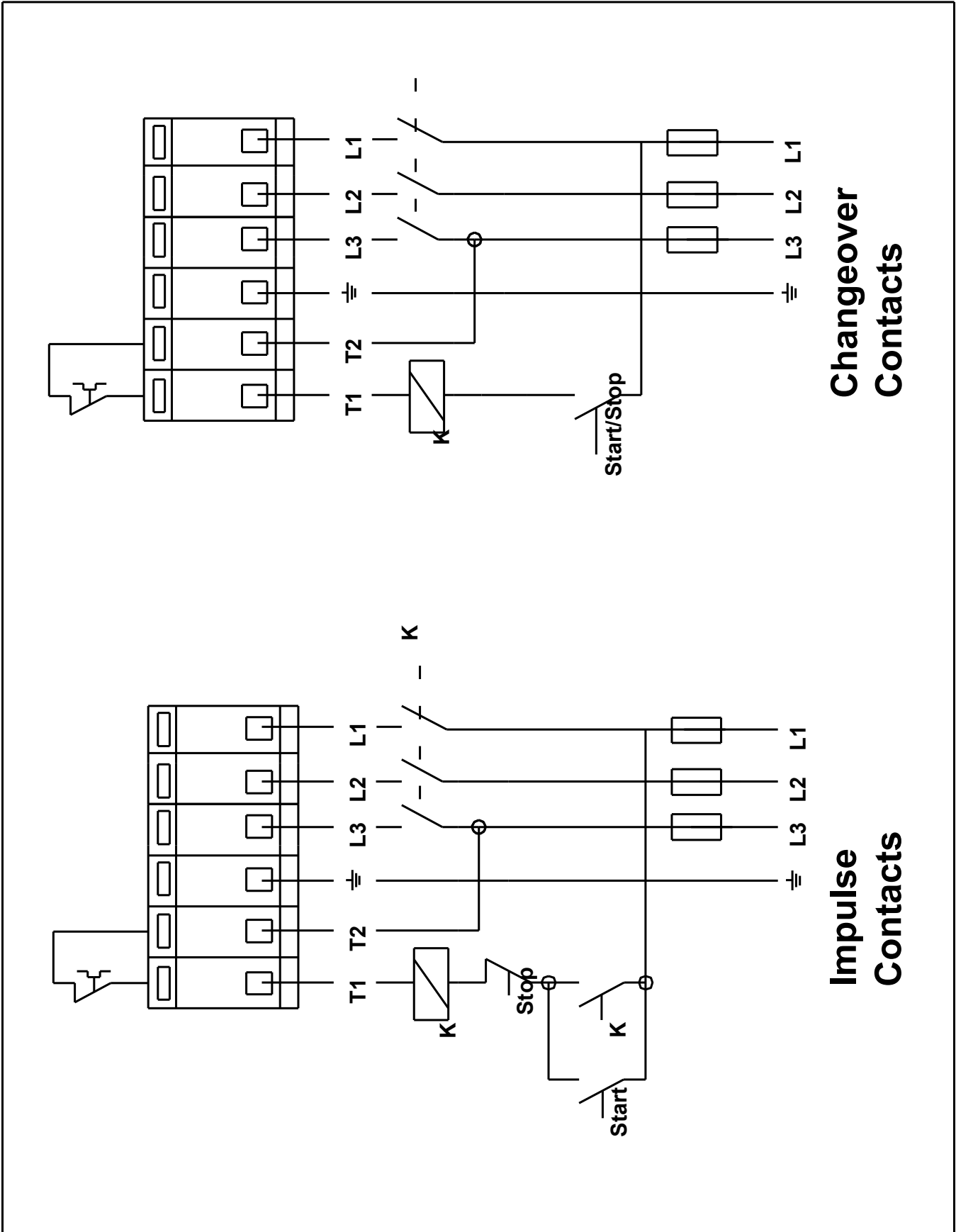
Created by:

Phone:

Date: 05/12/2022

Qty.	Description																				
1	<table><tr><td>Cos phi in speed 1:</td><td>0.81</td></tr><tr><td>Cos phi in speed 2:</td><td>0.82</td></tr><tr><td>Cos phi:</td><td>0.8</td></tr><tr><td>Enclosure class (IEC 34-5):</td><td>X4D</td></tr><tr><td>Insulation class (IEC 85):</td><td>H</td></tr><tr><td>Winding resistance:</td><td>22.8 - 30.0 ohm</td></tr><tr><td colspan="2">Others:</td></tr><tr><td>Net weight:</td><td>49.8 lb</td></tr><tr><td>Gross weight:</td><td>58.6 lb</td></tr><tr><td>Shipping volume:</td><td>3.46 ft³</td></tr></table>	Cos phi in speed 1:	0.81	Cos phi in speed 2:	0.82	Cos phi:	0.8	Enclosure class (IEC 34-5):	X4D	Insulation class (IEC 85):	H	Winding resistance:	22.8 - 30.0 ohm	Others:		Net weight:	49.8 lb	Gross weight:	58.6 lb	Shipping volume:	3.46 ft ³
Cos phi in speed 1:	0.81																				
Cos phi in speed 2:	0.82																				
Cos phi:	0.8																				
Enclosure class (IEC 34-5):	X4D																				
Insulation class (IEC 85):	H																				
Winding resistance:	22.8 - 30.0 ohm																				
Others:																					
Net weight:	49.8 lb																				
Gross weight:	58.6 lb																				
Shipping volume:	3.46 ft ³																				

96402789 UPS 40-160 F B 60 Hz



Note! All units are in [in] unless others are stated.