

|                       |                        |                 |
|-----------------------|------------------------|-----------------|
| PROJECT: _____        | UNIT TAG: _____        | QUANTITY: _____ |
| REPRESENTATIVE: _____ | TYPE OF SERVICE: _____ | DATE: _____     |
| ENGINEER: _____       | SUBMITTED BY: _____    | DATE: _____     |
| CONTRACTOR: _____     | APPROVED BY: _____     | DATE: _____     |
|                       | ORDER NO.: _____       | DATE: _____     |

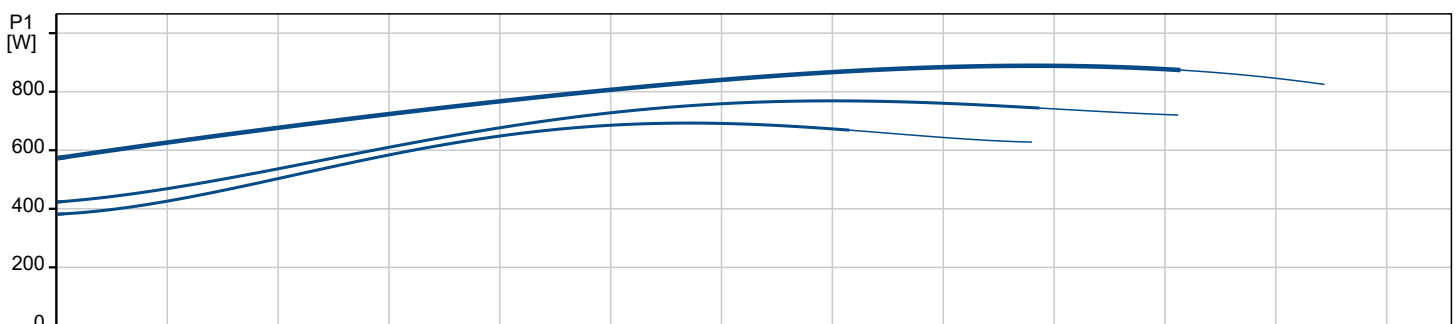
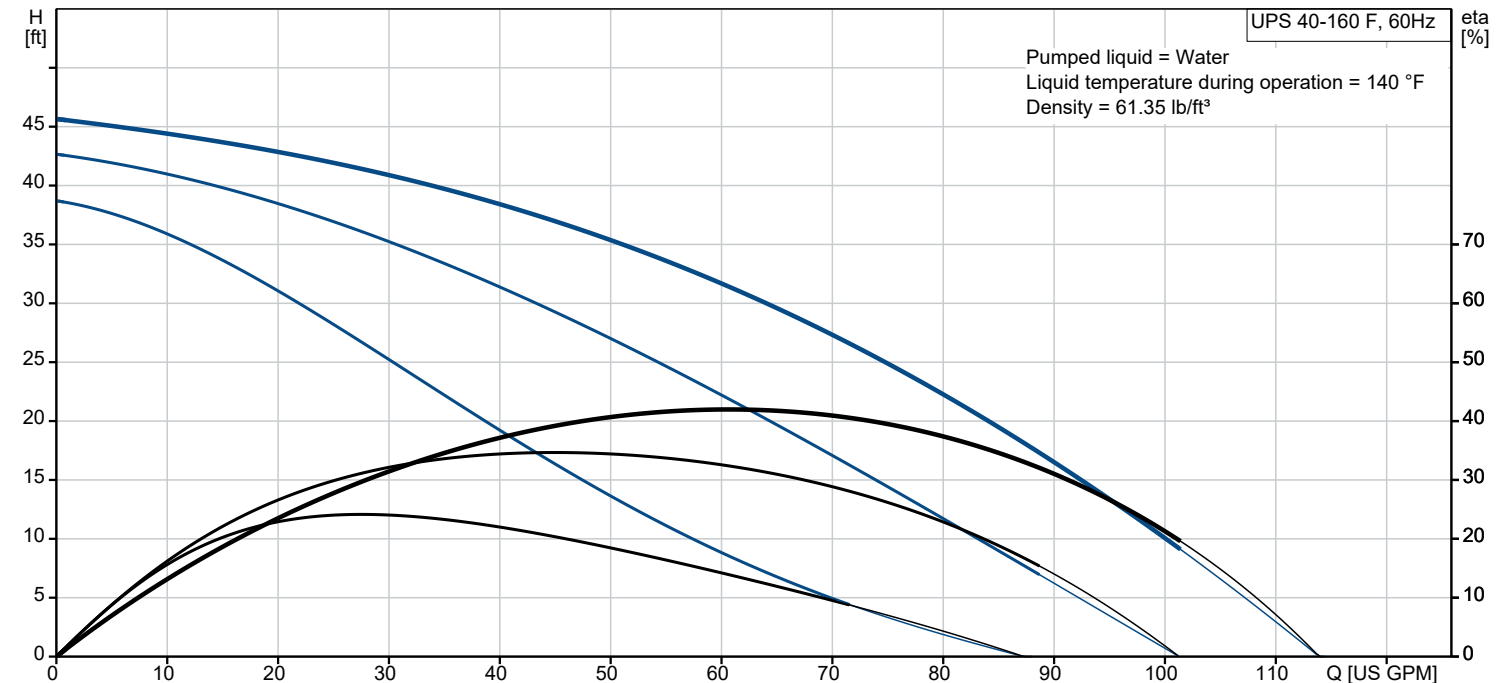


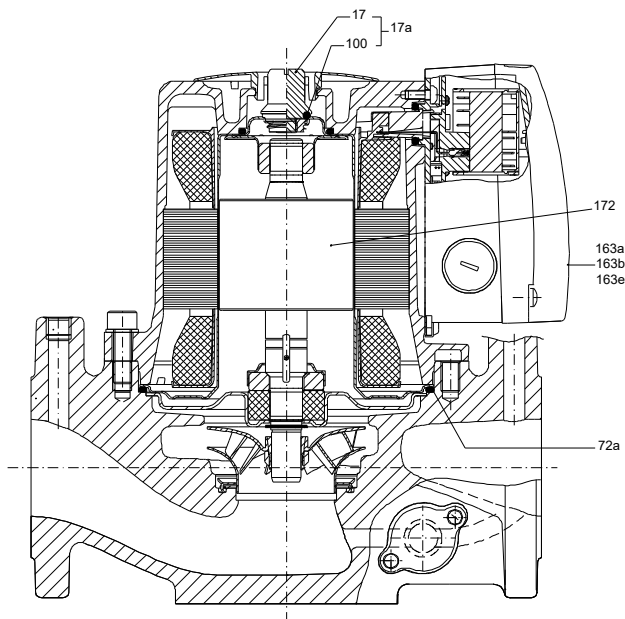
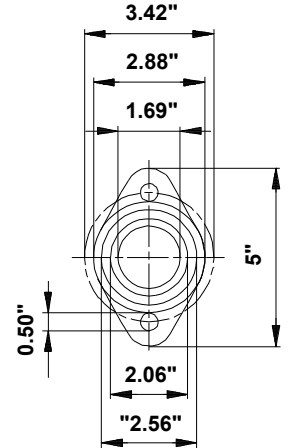
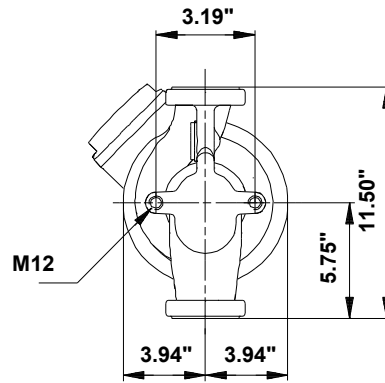
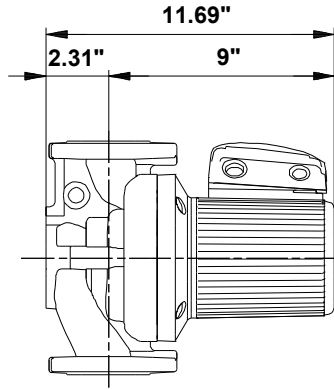
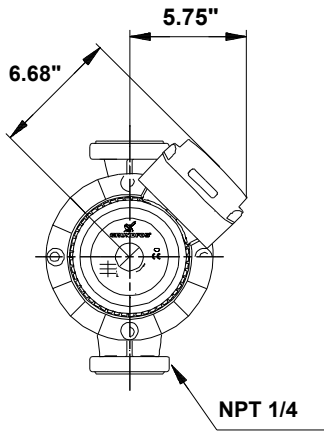
## UPS 40-160 F

UPS is a three-speed circulator pump designed for heating and air-conditioning systems and is also used for central and district heating systems. The pump provides reliable and maintenance-free operation.

Note! Product picture may differ from actual product

| Conditions of Service |        | Pump Data                    |              | Motor Data          |          |
|-----------------------|--------|------------------------------|--------------|---------------------|----------|
| Liquid:               | Water  | Maximum operating pressure:  | 145.04 psi   | Max. power input:   | 890 W    |
| Temperature:          | 140 °F | Liquid temperature range:    | 14 .. 248 °F | Rated voltage:      | 115 V    |
| Specific Gravity:     | 0.985  | Maximum ambient temperature: | 104 °F       | Mains frequency:    | 60 Hz    |
|                       |        | Approvals:                   | CUL          | Enclosure class:    | X4D      |
|                       |        | Type of connection:          | F            | Insulation class:   | H        |
|                       |        | Flange standard:             | USA Oval     | Motor protection:   | CONTACT  |
|                       |        | Pipe connection:             | GF 40/43     | Thermal protection: | internal |
|                       |        | Product number:              | 96402782     |                     |          |





**Materials:**

- Pump housing: Cast iron
- Pump housing: EN-JL1040
- Pump housing: ASTM 35 B - 40 B
- Impeller: Stainless steel
- Impeller: DIN W.-Nr. 1.4301
- Impeller: AISI 304

| Qty. | Description   |
|------|---|
| 1    | <p><b>UPS 40-160 F</b><br/>           Product No.: <a href="#">96402782</a><br/>           The pump is of the canned rotor type, i.e. pump and motor form an integral unit without shaft seal and with only two gaskets for sealing. The bearings are lubricated by the pumped liquid.</p> <p>In order to avoid problems in connection with disposal, great importance has been attached to using as few different materials as possible. The pump is characterized by:</p> <ul style="list-style-type: none"> <li>* 3 speed motor.</li> <li>* Ceramic radial bearings.</li> <li>* Carbon axial bearing.</li> <li>* Stainless steel rotor can, bearing plate and rotor cladding.</li> <li>* Aluminium alloy stator housing.</li> <li>* Cast iron pump housing.</li> <li>* Stator with built-in thermal switch.</li> </ul> <p>The motor is a 1-phase motor.</p> <p>The pump is supplied with a standard module in the terminal box. The standard module is to be connected to the mains supply via external contactor.</p> <p>Controls:</p> <p>Relay: with relay</p> <p>Liquid:</p> <p>Pumped liquid: Water<br/>           Liquid temperature range: 14 .. 248 °F<br/>           Selected liquid temperature: 140 °F<br/>           Density: 61.35 lb/ft³</p> <p>Technical:</p> <p>Approvals: CUL</p> <p>Materials:</p> <p>Pump housing: Cast iron<br/>           EN-JL1040<br/>           ASTM 35 B - 40 B</p> <p>Impeller: Stainless steel<br/>           DIN W.-Nr. 1.4301<br/>           AISI 304</p> <p>Installation:</p> <p>Range of ambient temperature: 32 .. 104 °F<br/>           Maximum operating pressure: 145.04 psi<br/>           Flange standard: USA Oval<br/>           Type of connection: F<br/>           Pipe connection: GF 40/43<br/>           Pressure rating: 145 psi<br/>           Port-to-port length: 11 1/2 in</p> <p>Electrical data:</p> <p>Power input in speed 1: 0.9253 HP<br/>           Power input in speed 2: 760 W<br/>           Max. power input: 890 W<br/>           Mains frequency: 60 Hz<br/>           Rated voltage: 1 x 115 V<br/>           Current in speed 1: 6.95 A<br/>           Current in speed 2: 7.45 A</p> |



Company name: Hurley Engineering

Created by:

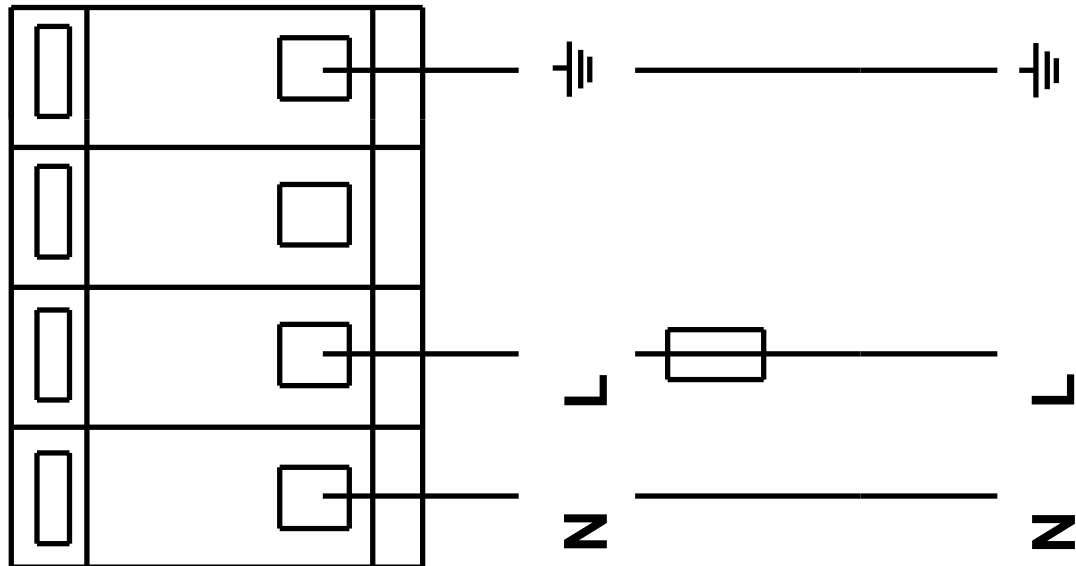
Phone:

Date: 05/12/2022

| Qty. | Description   |
|------|---|
| 1    | Current in speed 3: 8.4 A<br>Cos phi in speed 1: 0.86<br>Cos phi in speed 2: 0.89<br>Cos phi: 0.92<br>Capacitor size - run: 80 $\mu$ F/250 V<br>Enclosure class (IEC 34-5): X4D<br>Insulation class (IEC 85): H<br><br>Others:<br>Net weight: 45.4 lb<br>Gross weight: 58.7 lb<br>Shipping volume: 3.46 ft <sup>3</sup> |

## 96402782 UPS 40-160 F 60 Hz

1 Phase



Note! All units are in [in] unless others are stated.