

PROJECT: _____	UNIT TAG: _____	QUANTITY: _____
REPRESENTATIVE: _____	TYPE OF SERVICE: _____	DATE: _____
ENGINEER: _____	SUBMITTED BY: _____	DATE: _____
CONTRACTOR: _____	APPROVED BY: _____	DATE: _____
	ORDER NO.: _____	DATE: _____

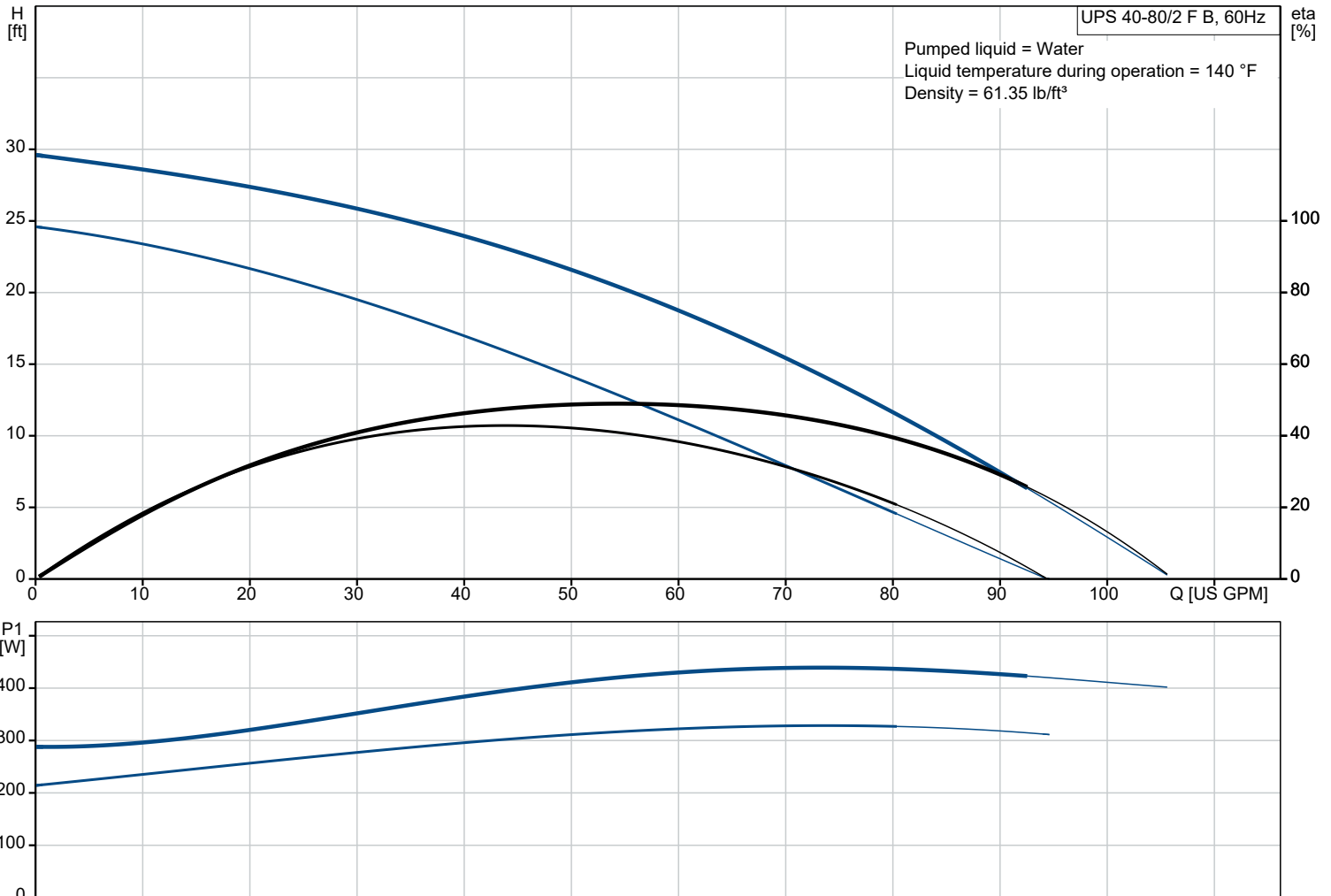


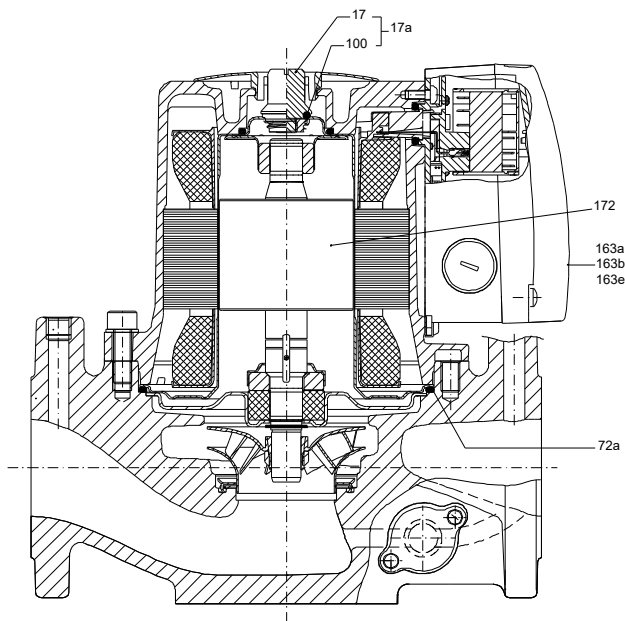
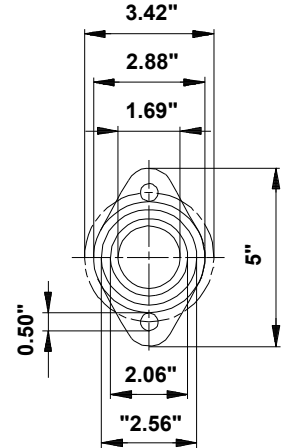
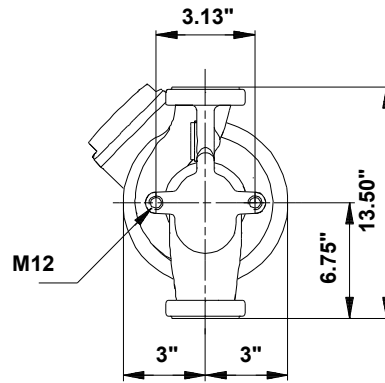
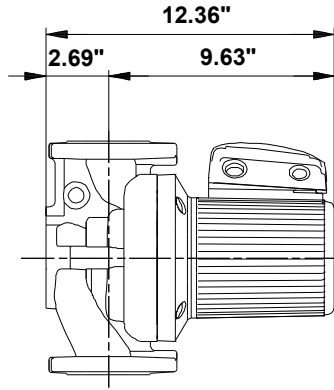
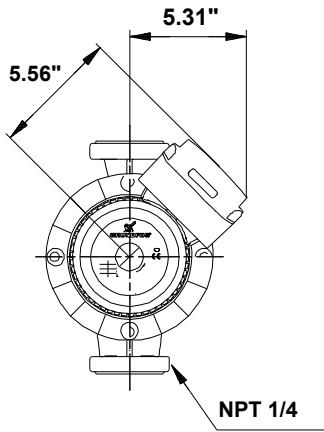
UPS 40-80/2 F B

UPS B is a three-speed circulator pump with a corrosion-resistant bronze pump housing designed for hot-water recirculation. The pump provides reliable and maintenance-free operation.

Note! Product picture may differ from actual product

Conditions of Service		Pump Data		Motor Data	
Liquid:	Water	Maximum operating pressure:	145.04 psi	Max. power input:	440 W
Temperature:	140 °F	Liquid temperature range:	14 .. 248 °F	Mains frequency:	50 / 60 Hz
Specific Gravity:	0.985	Maximum ambient temperature:	104 °F	Number of poles:	2
		Approvals:	CUL	Enclosure class:	X4D
		Type of connection:	F	Insulation class:	F
		Flange standard:	USA Oval	Motor protection:	CONTACT
		Pipe connection:	GF 40/43	Thermal protection:	external
		Product number:	96402770		





Materials:

- Pump housing: Bronze
- Pump housing: DIN W.-Nr. 2.1176.01
- Impeller: Stainless steel
- Impeller: DIN W.-Nr. 1.4301
- Impeller: AISI 304



Company name: Hurley Engineering

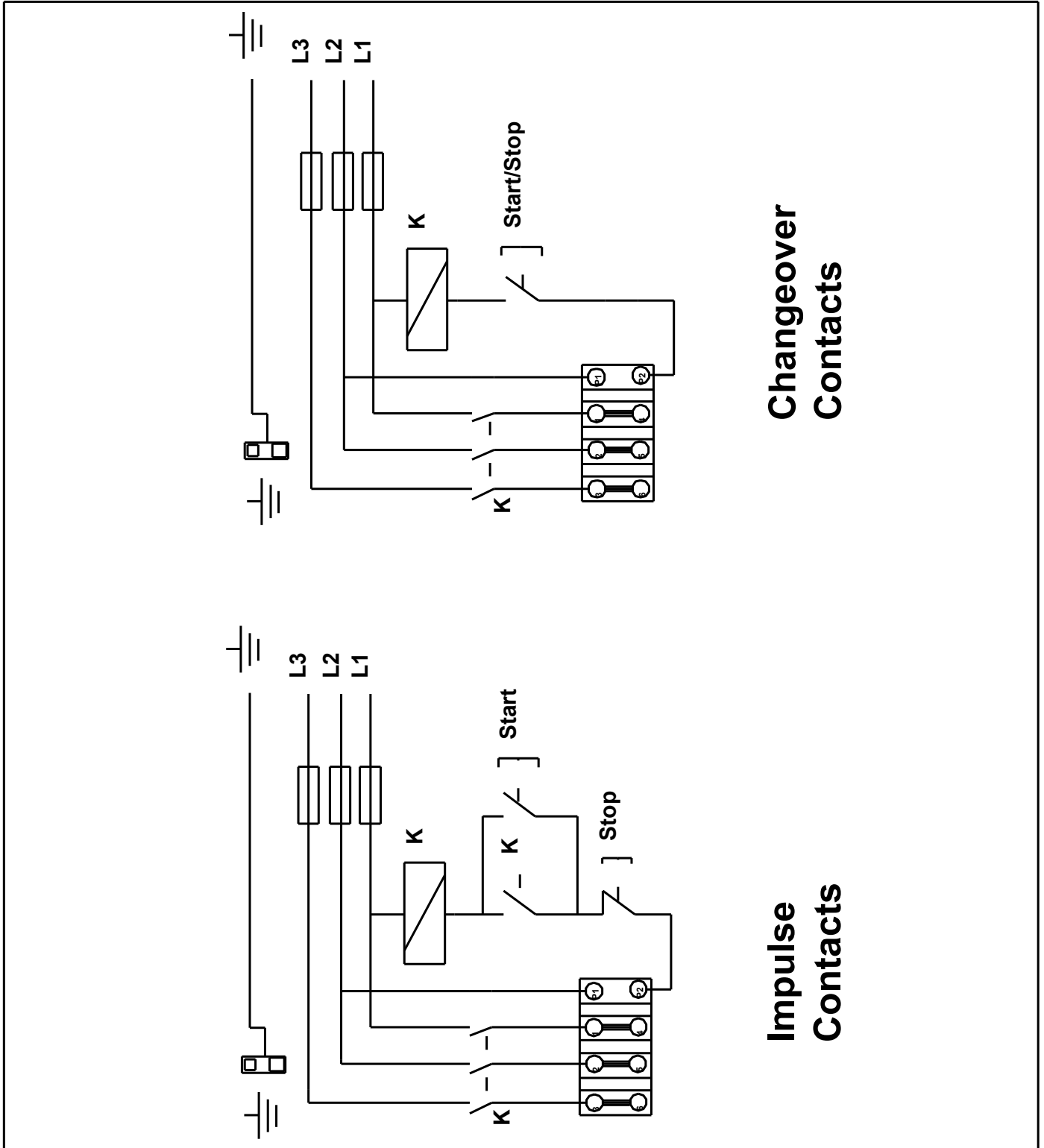
Created by:

Phone:

Date: 05/12/2022

Qty.	Description												
1	<table><tr><td data-bbox="111 253 399 286">Insulation class (IEC 85):</td><td data-bbox="399 253 1560 286">F</td></tr><tr><td data-bbox="111 286 399 320">Winding resistance:</td><td data-bbox="399 286 1560 320">64.0 - 84.0 ohm</td></tr><tr><td colspan="2" data-bbox="111 342 1560 376">Others:</td></tr><tr><td data-bbox="111 376 399 409">Net weight:</td><td data-bbox="399 376 1560 409">44.3 lb</td></tr><tr><td data-bbox="111 409 399 443">Gross weight:</td><td data-bbox="399 409 1560 443">51.9 lb</td></tr><tr><td data-bbox="111 443 399 477">Shipping volume:</td><td data-bbox="399 443 1560 477">2.08 ft³</td></tr></table>	Insulation class (IEC 85):	F	Winding resistance:	64.0 - 84.0 ohm	Others:		Net weight:	44.3 lb	Gross weight:	51.9 lb	Shipping volume:	2.08 ft ³
Insulation class (IEC 85):	F												
Winding resistance:	64.0 - 84.0 ohm												
Others:													
Net weight:	44.3 lb												
Gross weight:	51.9 lb												
Shipping volume:	2.08 ft ³												

96402770 UPS 40-80/2 F B 60 Hz



**Changeover
Contacts**

**Impulse
Contacts**

Note! All units are in [in] unless others are stated.