

Pump Performance Datasheet

Customer :	Quote Number / ID :	1471203
Customer ref. / PO :	Model :	NBS 025-095-4P
Tag Number : 001	Stages :	1
Service :	Based on curve number :	025-095-4P_Std
Quantity : 1	Basic model number :	-
	Date last saved :	10/11/2022 12:56 PM

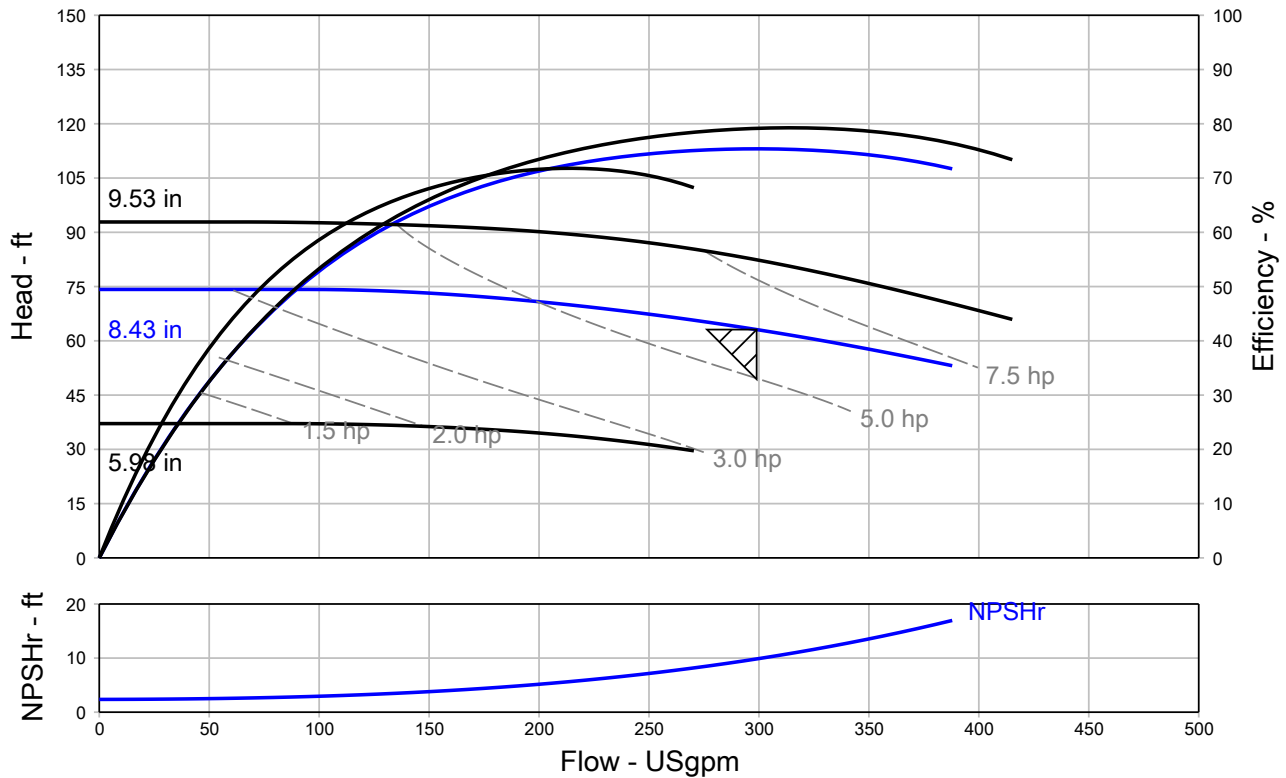
Operating Conditions	Liquid
Flow, rated : 299.0 USgpm	Liquid type : Cold Water
Differential head / pressure, rated (requested) : 63.11 ft	Additional liquid description :
Differential head / pressure, rated (actual) : 63.11 ft	Solids diameter, max : 0.00 in
Suction pressure, rated / max : 0.00 / 0.00 psi.g	Solids concentration, by volume : 0.00 %
NPSH available, rated : Ample	Temperature, max : 68.00 deg F
Site Supply Frequency : 60 Hz	Fluid density, rated / max : 1.000 / 1.000 SG
	Viscosity, rated : 1.00 cP
	Vapor pressure, rated : 0.34 psi.a

Performance	Material
Speed, rated : 1750 rpm	Material selected : Cast iron / 125 Class
Impeller diameter, rated : 8.43 in	
Impeller diameter, maximum : 9.53 in	
Impeller diameter, minimum : 5.98 in	
Efficiency : 75.38 %	
NPSH required / margin required : 9.84 / 0.00 ft	
nq (imp. eye flow) / S (imp. eye flow) : 22 / 108 Metric units	
MCSF : 28.32 USgpm	
Head, maximum, rated diameter : 74.21 ft	
Head rise to shutoff : 17.58 %	
Flow, best eff. point : 299.0 USgpm	
Flow ratio, rated / BEP : 100.00 %	
Diameter ratio (rated / max) : 88.46 %	
Head ratio (rated dia / max dia) : 76.59 %	
Cq/Ch/Ce/Cn [ANSI/HI 9.6.7-2010] : 1.00 / 1.00 / 1.00 / 1.00	
Selection status : Acceptable	

Pressure Data
Maximum working pressure : 32.12 psi.g
Maximum allowable working pressure : 175.0 psi.g
Maximum allowable suction pressure : 130.0 psi.g
Hydrostatic test pressure : 263.0 psi.g

Driver & Power Data (@Max density)
Motor sizing specification : Max power (non-overloading)
Margin over specification : 0.00 %
Service factor : 1.15 (used)
Power, hydraulic : 4.76 hp
Rated power (based on duty point) : 6.32 hp
Max power (non-overloading) : 7.26 hp
Nameplate motor rating : 7.50 hp / 5.59 kW

Energy Indexes
PEI (CL) : 0.90
ER (CL) : 10



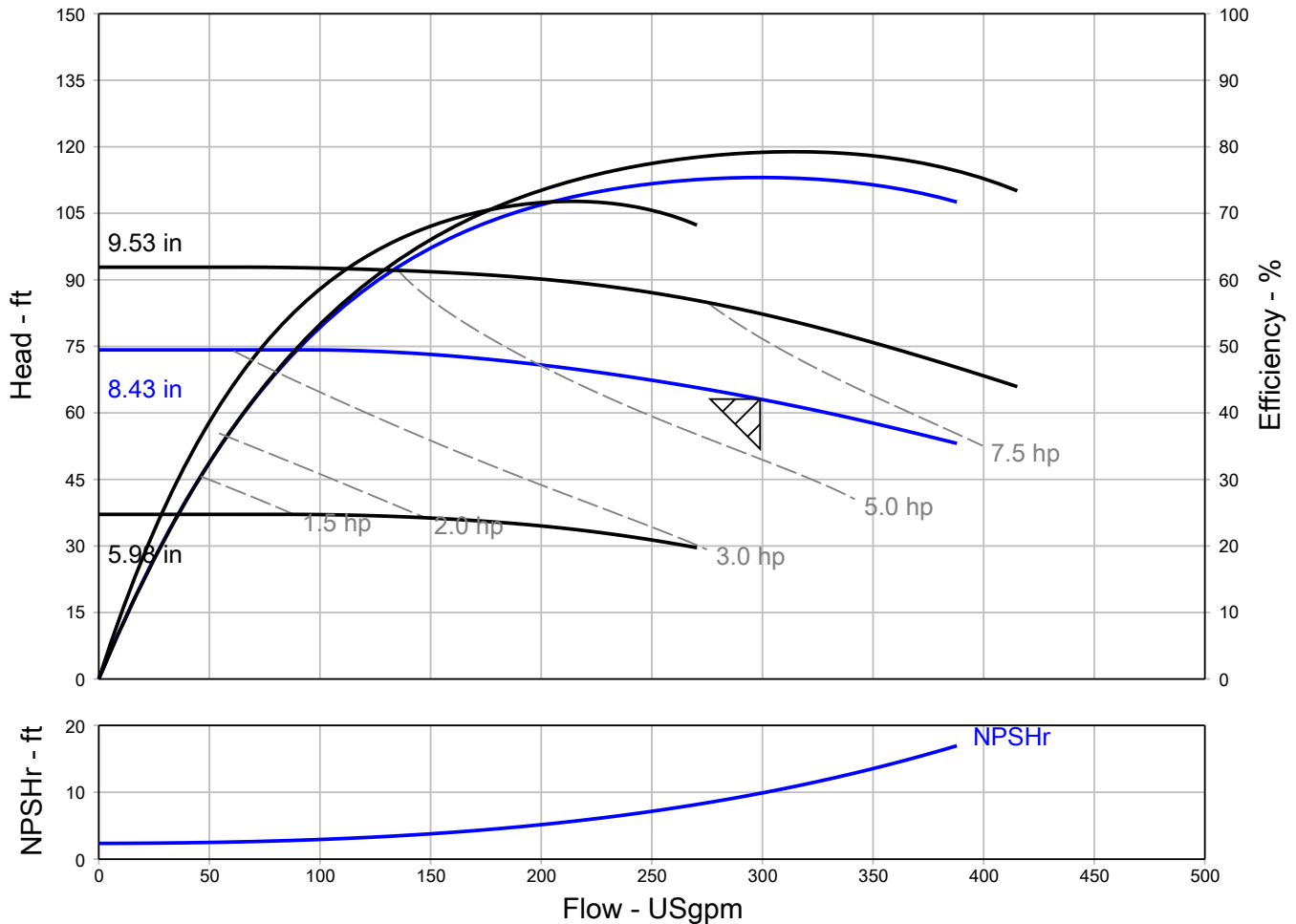
Grundfos Series NBS - Split Coupled End Suction Pump

QUOTE NUMBER / ID 1471203	UNIT TAG 001	QUANTITY 1
REPRESENTATIVE	SERVICE	DATE
ENGINEER	SUBMITTED BY	DATE
CONTRACTOR	APPROVED BY	DATE
	ORDER #	DATE



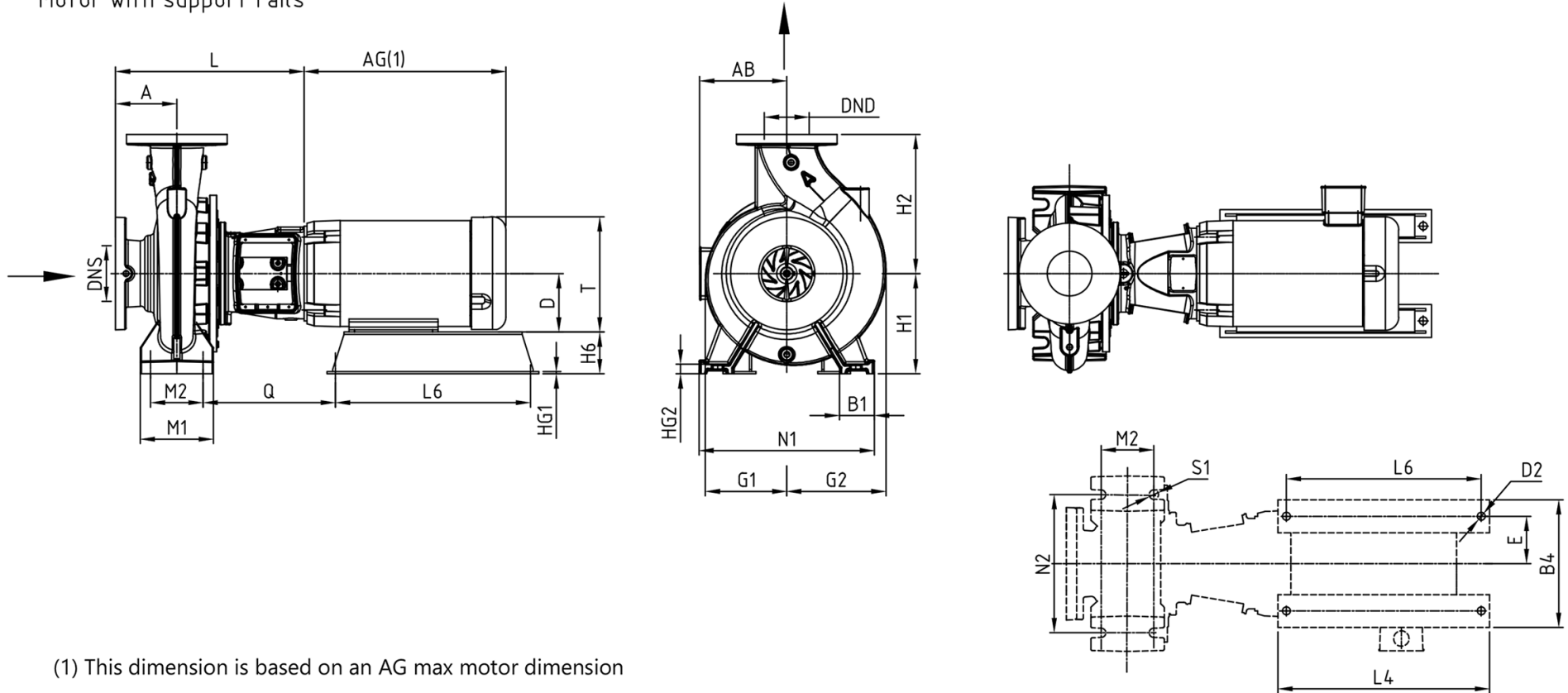
NBS 025-095-4P
1750 rpm

Conditions of Service		Pump Data		Motor Data	
Flow	299.0 USgpm	Impeller Diameter	8.43 in	Motor HP	7.5 HP
Head	63.11 ft	Max. Imp. Dia.	9.53 in	BHP	6.32 HP
Liquid	Cold Water	Min. Imp. Dia.	5.98 in	Enclosure	TEFC
Temperature	68.00 deg F	Efficiency	75.38 %	Voltage	230/460 V
NPSHr	9.84 ft	Suction	3 in	Phase	3 Phase
Viscosity	1.00 cP	Discharge	2.5 in	Cycle	60
Specific Gravity	1.000 SG	PEI (CL)	0.9	Frame Size	213TC
		ER (CL)	10	Shaft Grounding	Include



Grundfos Series NBS - Split Coupled End Suction Pump

Mounting design B
Centre-line outlet
Motor with support rails



NOT FOR CONSTRUCTION, unless certified and referenced on order

Units	Frame	DNS	DND	Class	A	AB	AG	B1	B4	D	D2	E	G1	G2	H1	H2	H6	HG1	HG2	L	L4	L6	M1	M2	N1	N2	Q	S1	T
inches	213TC	3	2.5	125	4.00	7.38	17.63	3.15	11.45	5.25	0.69	4.25	6.47	7.34	8.00	10.00	2.75	0.20	0.94	15.52	16.66	15.16	6.30	4.57	14.17	11.02	11.28	0.83	10.25