

## Pump Performance Datasheet

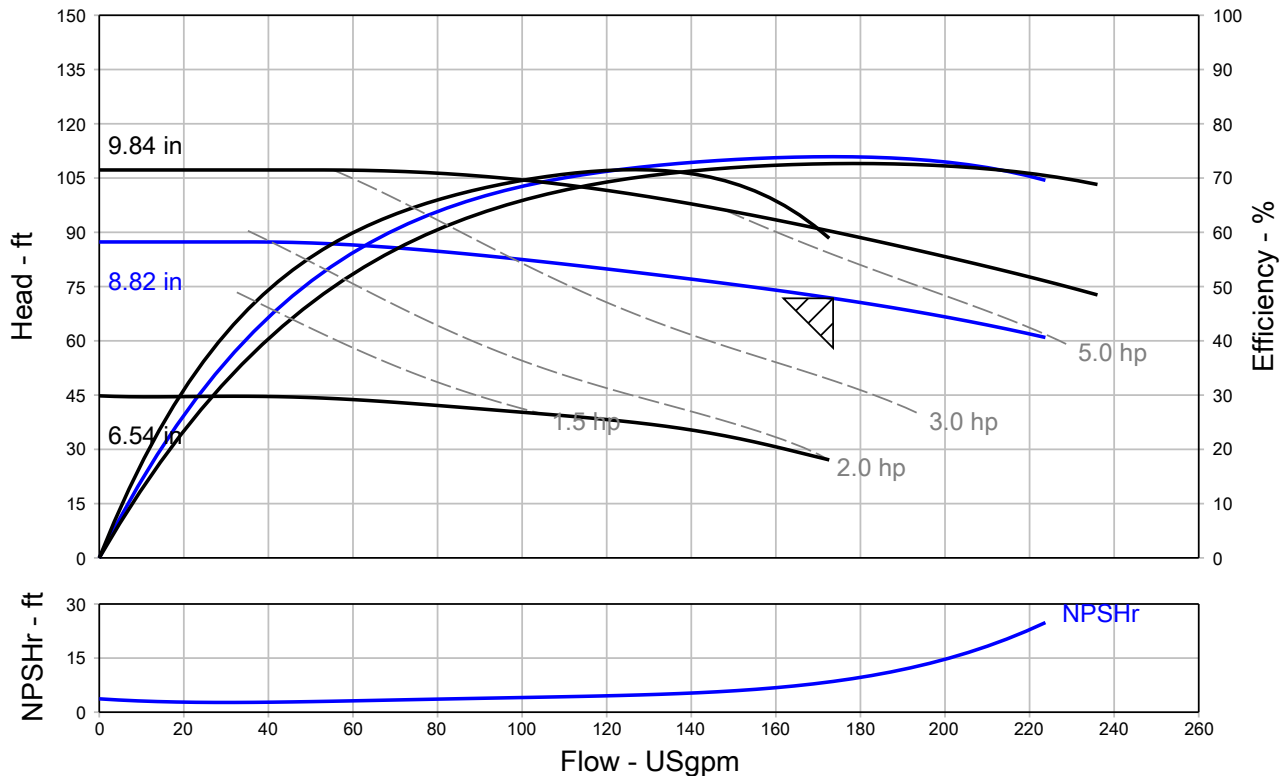
Customer :	Quote Number / ID :	74718
Customer ref. / PO :	Model :	NBS 015-095-4P
Tag Number : 001	Stages :	1
Service :	Based on curve number :	015-095-4P_Std
Quantity : 1	Basic model number :	-
	Date last saved :	10/11/2022 12:14 PM

Operating Conditions		Liquid	
Flow, rated	: 173.5 USgpm	Liquid type	: Cold Water
Differential head / pressure, rated (requested)	: 71.75 ft	Additional liquid description	:
Differential head / pressure, rated (actual)	: 71.75 ft	Solids diameter, max	: 0.00 in
Suction pressure, rated / max	: 0.00 / 0.00 psi.g	Solids concentration, by volume	: 0.00 %
NPSH available, rated	: Ample	Temperature, max	: 68.00 deg F
Site Supply Frequency	: 60 Hz	Fluid density, rated / max	: 1.000 / 1.000 SG
		Viscosity, rated	: 1.00 cP
		Vapor pressure, rated	: 0.34 psi.a

Performance		Material	
Speed, rated	: 1750 rpm	Material selected	: Cast iron / 125 Class
Impeller diameter, rated	: 8.82 in		
Impeller diameter, maximum	: 9.84 in		
Impeller diameter, minimum	: 6.54 in		
Efficiency	: 73.93 %		

Performance		Pressure Data	
NPSH required / margin required	: 8.52 / 0.00 ft	Maximum working pressure	: 37.79 psi.g
nq (imp. eye flow) / S (imp. eye flow)	: 16 / 92 Metric units	Maximum allowable working pressure	: 175.0 psi.g
MCSF	: 15.15 USgpm	Maximum allowable suction pressure	: 130.0 psi.g
Head, maximum, rated diameter	: 87.33 ft	Hydrostatic test pressure	: 263.0 psi.g
Head rise to shutoff	: 21.72 %		
Flow, best eff. point	: 173.5 USgpm		
Flow ratio, rated / BEP	: 100.00 %		
Diameter ratio (rated / max)	: 89.63 %		
Head ratio (rated dia / max dia)	: 79.58 %		
Cq/Ch/Ce/Cn [ANSI/HI 9.6.7-2010]	: 1.00 / 1.00 / 1.00 / 1.00		
Selection status	: Acceptable		

Energy Indexes		Driver & Power Data (@Max density)	
PEI (CL)	: 0.83	Motor sizing specification	: Max power (non-overloading)
ER (CL)	: 17	Margin over specification	: 0.00 %
		Service factor	: 1.15 (used)
		Power, hydraulic	: 3.14 hp
		Rated power (based on duty point)	: 4.25 hp
		Max power (non-overloading)	: 4.95 hp
		Nameplate motor rating	: 5.00 hp / 3.73 kW



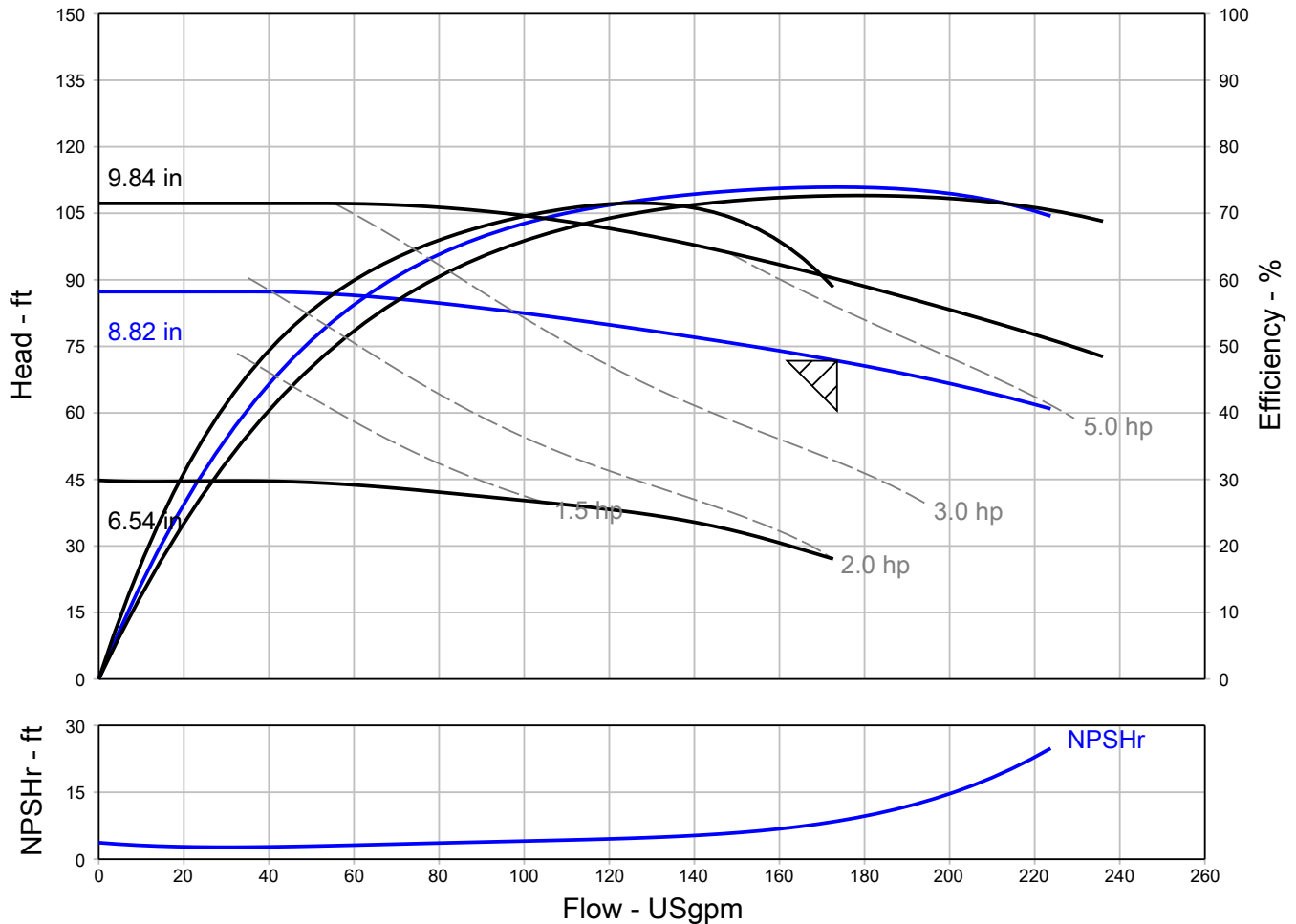
## Grundfos Series NBS - Split Coupled End Suction Pump

QUOTE NUMBER / ID 74718	UNIT TAG 001	QUANTITY 1
REPRESENTATIVE	SERVICE	DATE
ENGINEER	SUBMITTED BY	DATE
CONTRACTOR	APPROVED BY	DATE
	ORDER #	DATE



**NBS 015-095-4P**  
**1750 rpm**

Conditions of Service		Pump Data		Motor Data	
Flow	173.5 USgpm	Impeller Diameter	8.82 in	Motor HP	5 HP
Head	71.75 ft	Max. Imp. Dia.	9.84 in	BHP	4.25 HP
Liquid	Cold Water	Min. Imp. Dia.	6.54 in	Enclosure	TEFC
Temperature	68.00 deg F	Efficiency	73.93 %	Voltage	230/460 V
NPSHr	8.52 ft	Suction	2.5 in	Phase	3 Phase
Viscosity	1.00 cP	Discharge	1.5 in	Cycle	60
Specific Gravity	1.000 SG	PEI (CL)	0.83	Frame Size	184TC
		ER (CL)	17	Shaft Grounding	Include



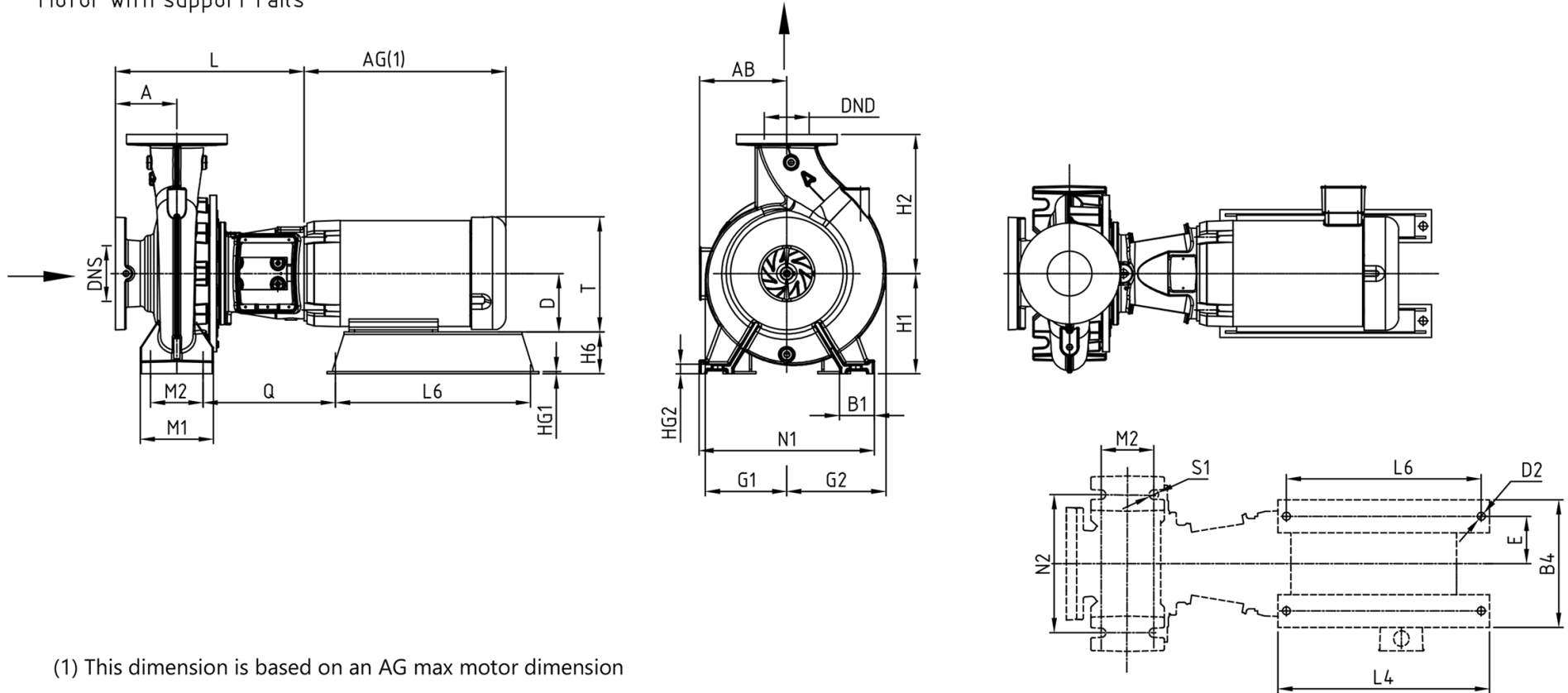
QUOTE NUMBER / ID 74718

UNIT TAG 001

NBS 015-095-4P

## Grundfos Series NBS - Split Coupled End Suction Pump

Mounting design B  
Centre-line outlet  
Motor with support rails



NOT FOR CONSTRUCTION, unless certified and referenced on order

Units	Frame	DNS	DND	Class	A	AB	AG	B1	B4	D	D2	E	G1	G2	H1	H2	H6	HG1	HG2	L	L4	L6	M1	M2	N1	N2	Q	S1	T
inches	184TC	2.5	1.5	125	4.00	5.88	15.63	2.56	10.45	4.50	0.69	3.75	5.94	6.69	7.00	9.00	2.50	0.20	0.67	15.52	14.66	13.16	4.92	3.74	12.60	9.84	10.81	0.67	8.69