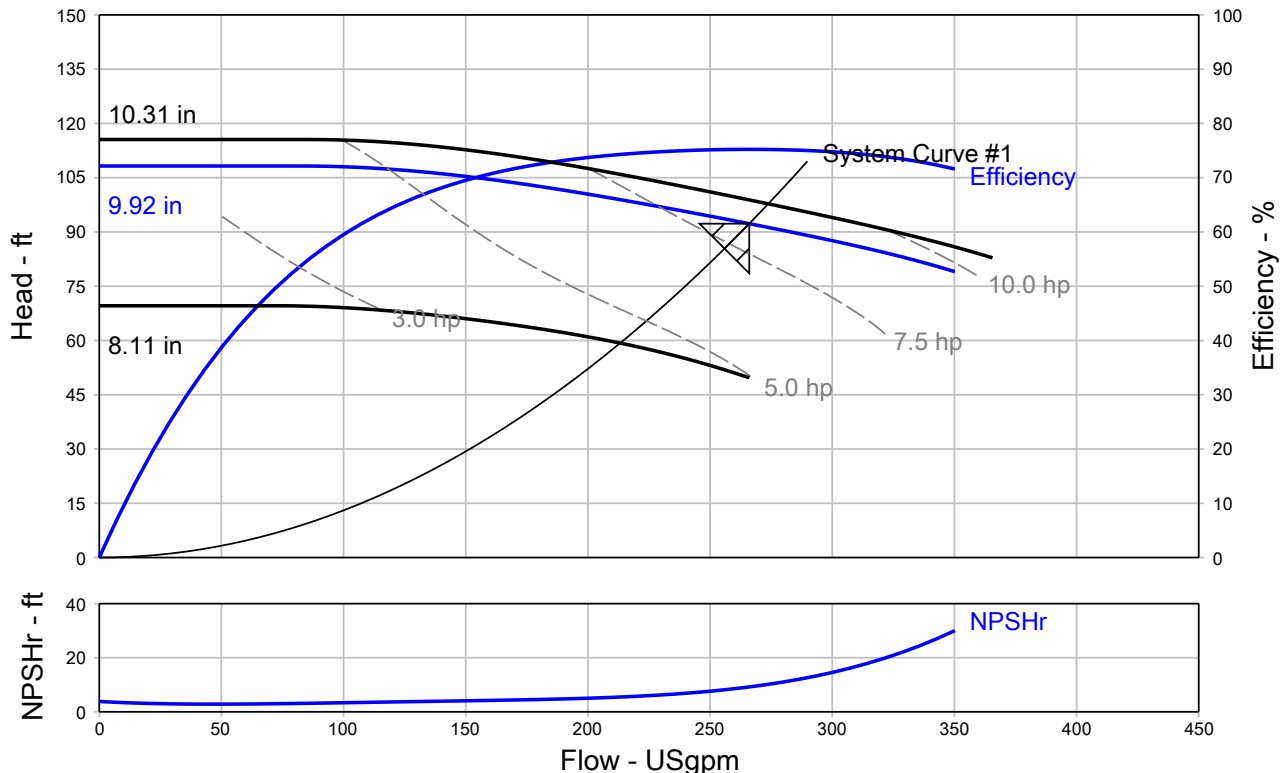


Pump Performance Datasheet

Customer :	Quote Number / ID : 1471203
Customer ref. / PO :	Model : NBS 020-110-4P
Tag Number : 001	Stages : 1
Service :	Based on curve number : 020-110-4P_Std
Quantity : 1	Basic model number : -
	Date last saved : 09/09/2022 6:44 PM

Operating Conditions		Liquid	
Flow, rated	: 266.0 USgpm	Liquid type	: Cold Water
Differential head / pressure, rated (requested)	: 92.29 ft	Additional liquid description	:
Differential head / pressure, rated (actual)	: 92.29 ft	Solids diameter, max	: 0.00 in
Suction pressure, rated / max	: 0.00 / 0.00 psi.g	Solids concentration, by volume	: 0.00 %
NPSH available, rated	: Ample	Temperature, max	: 68.00 deg F
Site Supply Frequency	: 60 Hz	Fluid density, rated / max	: 1.000 / 1.000 SG
Synchronous speed flow	: 266.0 USgpm	Viscosity, rated	: 1.00 cP
Synchronous speed head	: 92.29 ft	Vapor pressure, rated	: 0.34 psi.a

Performance		Material	
Speed, rated	: 1750 rpm	Material selected	: Cast iron / 125 Class
Impeller diameter, rated	: 9.92 in	Pressure Data	
Impeller diameter, maximum	: 10.31 in	Maximum working pressure	: 46.84 psi.g
Impeller diameter, minimum	: 8.11 in	Maximum allowable working pressure	: 175.0 psi.g
Efficiency	: 75.22 %	Maximum allowable suction pressure	: 130.0 psi.g
NPSH required / margin required	: 9.20 / 0.00 ft	Hydrostatic test pressure	: 263.0 psi.g
nq (imp. eye flow) / S (imp. eye flow)	: 18 / 100 Metric units	Driver & Power Data (@Max density)	
MCSF	: 24.10 USgpm	Motor sizing specification	: Max power (non-overloading)
Head, maximum, rated diameter	: 108.2 ft	Margin over specification	: 0.00 %
Head rise to shutoff	: 17.27 %	Service factor	: 1.15 (used)
Flow, best eff. point	: 266.0 USgpm	Power, hydraulic	: 6.20 hp
Flow ratio, rated / BEP	: 100.00 %	Rated power (based on duty point)	: 8.24 hp
Diameter ratio (rated / max)	: 96.22 %	Max power (non-overloading)	: 9.76 hp
Head ratio (rated dia / max dia)	: 93.35 %	Synchronous speed rated power	: 8.24 hp
Cq/Ch/Ce/Cn [ANSI/HI 9.6.7-2010]	: 1.00 / 1.00 / 1.00 / 1.00	Nameplate motor rating	: 10.00 hp / 7.46 kW
Selection status	: Acceptable		
Energy Indexes			
PEI (CL)	: 0.89		
ER (CL)	: 11		



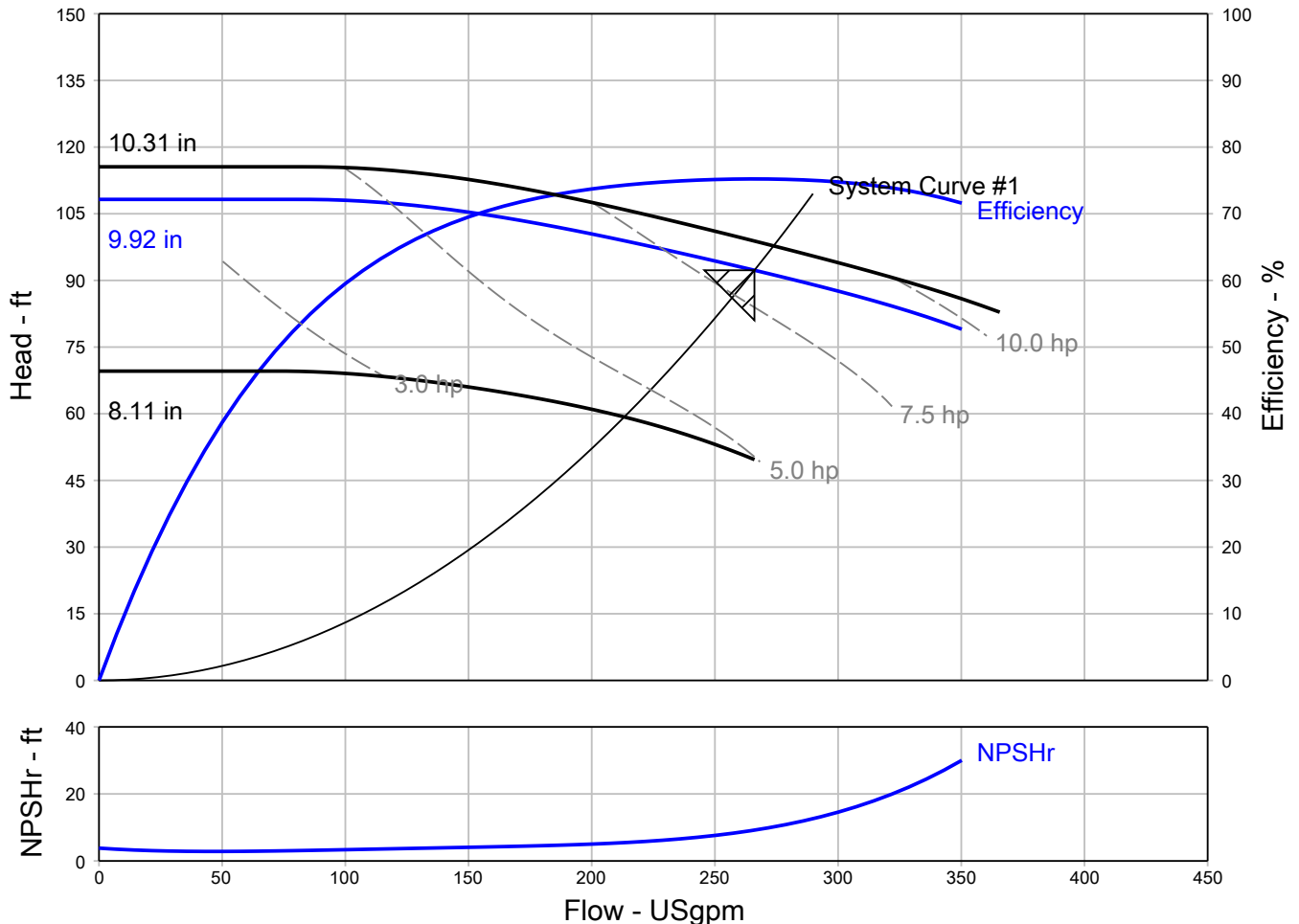
Grundfos Series NBS - Split Coupled End Suction Pump

QUOTE NUMBER / ID 1471203	UNIT TAG 001	QUANTITY 1
REPRESENTATIVE	SERVICE	DATE
ENGINEER	SUBMITTED BY	DATE
CONTRACTOR	APPROVED BY	DATE
	ORDER #	DATE



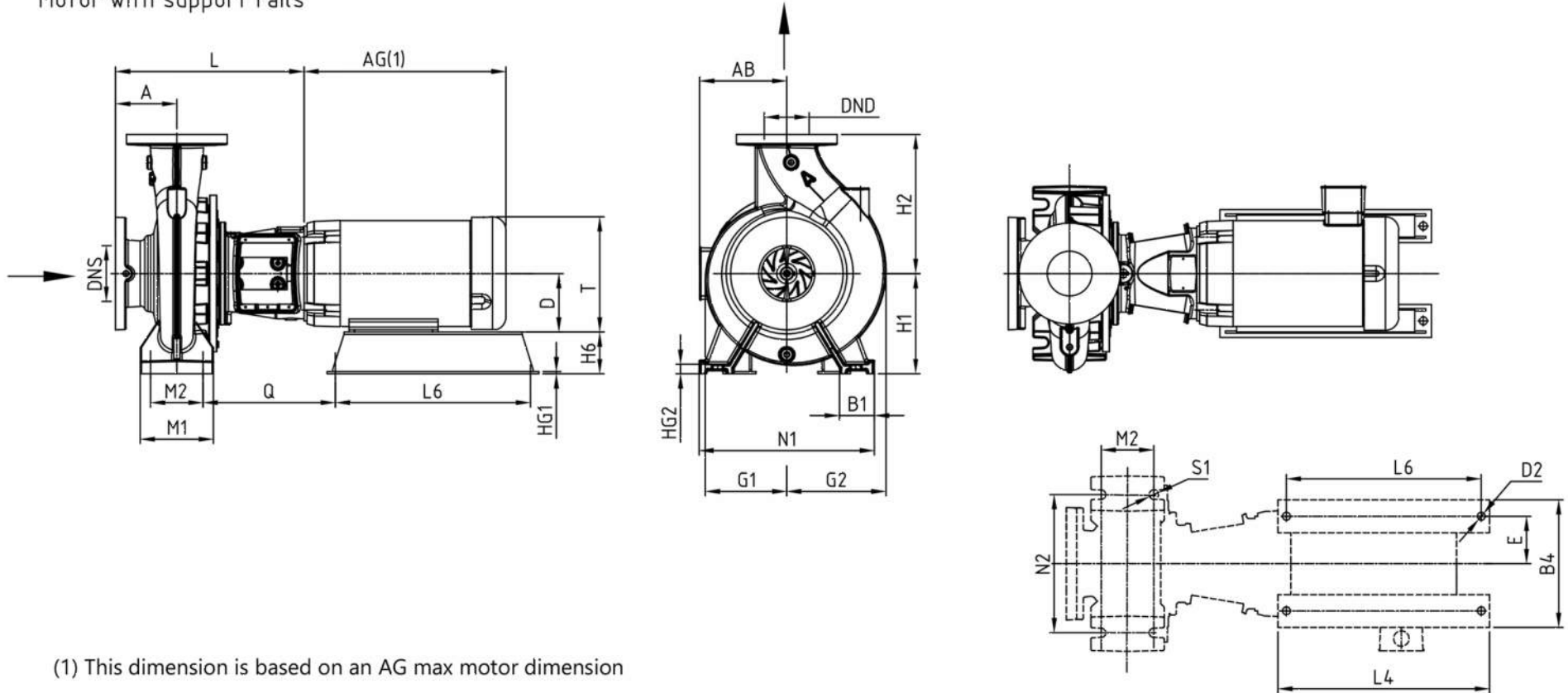
NBS 020-110-4P
1750 rpm

Conditions of Service		Pump Data		Motor Data	
Flow	266.0 USgpm	Impeller Diameter	9.92 in	Motor HP	10 HP
Head	92.29 ft	Max. Imp. Dia.	10.31 in	BHP	8.24 HP
Liquid	Cold Water	Min. Imp. Dia.	8.11 in	Enclosure	TEFC
Temperature	68.00 deg F	Efficiency	75.22 %	Voltage	230/460 V
NPSHr	9.20 ft	Suction	2.5 in	Phase	3 Phase
Viscosity	1.00 cP	Discharge	2 in	Cycle	60
Specific Gravity	1.000 SG	PEI (CL)	0.89	Frame Size	215TC
		ER (CL)	11	Shaft Grounding	Include



Grundfos Series NBS - Split Coupled End Suction Pump

Mounting design B
Centre-line outlet
Motor with support rails



NOT FOR CONSTRUCTION, unless certified and referenced on order

Units	Frame	DNS	DND	Class	A	AB	AG	B1	B4	D	D2	E	G1	G2	H1	H2	H6	HG1	HG2	L	L4	L6	M1	M2	N1	N2	Q	S1	T
inches	215TC	2.5	2	125	4.00	7.38	18.14	2.56	11.45	5.25	0.69	4.25	6.42	6.96	7.00	9.00	1.75	0.20	0.71	15.52	16.66	15.16	4.92	3.74	12.60	9.84	11.69	0.67	10.25