

Pump Performance Datasheet

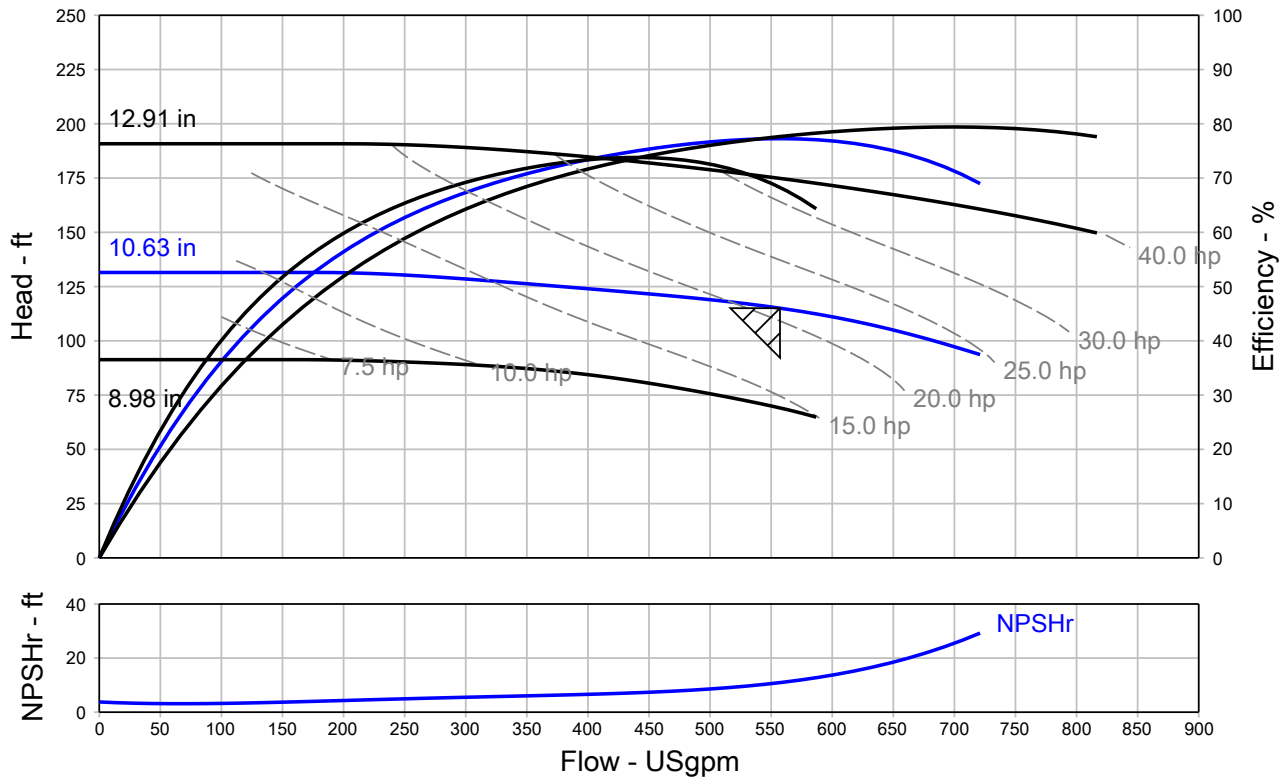
Customer :	Quote Number / ID :	74718
Customer ref. / PO :	Model :	NBS 030-135-4P
Tag Number : 001	Stages :	1
Service :	Based on curve number :	030-135-4P_Std
Quantity : 1	Basic model number :	-
	Date last saved :	01/13/2023 3:12 AM

Operating Conditions		Liquid	
Flow, rated	: 557.2 USgpm	Liquid type	: Cold Water
Differential head / pressure, rated (requested)	: 115.0 ft	Additional liquid description	:
Differential head / pressure, rated (actual)	: 115.0 ft	Solids diameter, max	: 0.00 in
Suction pressure, rated / max	: 0.00 / 0.00 psi.g	Solids concentration, by volume	: 0.00 %
NPSH available, rated	: Ample	Temperature, max	: 68.00 deg F
Site Supply Frequency	: 60 Hz	Fluid density, rated / max	: 1.000 / 1.000 SG
		Viscosity, rated	: 1.00 cP
		Vapor pressure, rated	: 0.34 psi.a

Performance		Material	
Speed, rated	: 1765 rpm	Material selected	: Cast iron / 125 Class
Impeller diameter, rated	: 10.63 in		
Impeller diameter, maximum	: 12.91 in		
Impeller diameter, minimum	: 8.98 in		
Efficiency	: 77.26 %		

Performance		Pressure Data	
NPSH required / margin required	: 10.93 / 0.00 ft	Maximum working pressure	: 56.91 psi.g
nq (imp. eye flow) / S (imp. eye flow)	: 20 / 104 Metric units	Maximum allowable working pressure	: 175.0 psi.g
MCSF	: 51.88 USgpm	Maximum allowable suction pressure	: 130.0 psi.g
Head, maximum, rated diameter	: 131.5 ft	Hydrostatic test pressure	: 263.0 psi.g
Head rise to shutoff	: 14.30 %		
Flow, best eff. point	: 557.2 USgpm		
Flow ratio, rated / BEP	: 100.00 %		
Diameter ratio (rated / max)	: 82.34 %		
Head ratio (rated dia / max dia)	: 65.80 %		
Cq/Ch/Ce/Cn [ANSI/HI 9.6.7-2010]	: 1.00 / 1.00 / 1.00 / 1.00		
Selection status	: Acceptable		

Energy Indexes		Driver & Power Data (@Max density)	
PEI (CL)	: 0.91	Motor sizing specification	: Max power (non-overloading)
ER (CL)	: 9	Margin over specification	: 0.00 %
		Service factor	: 1.15 (used)
		Power, hydraulic	: 16.18 hp
		Rated power (based on duty point)	: 20.95 hp
		Max power (non-overloading)	: 24.72 hp
		Nameplate motor rating	: 25.00 hp / 18.64 kW



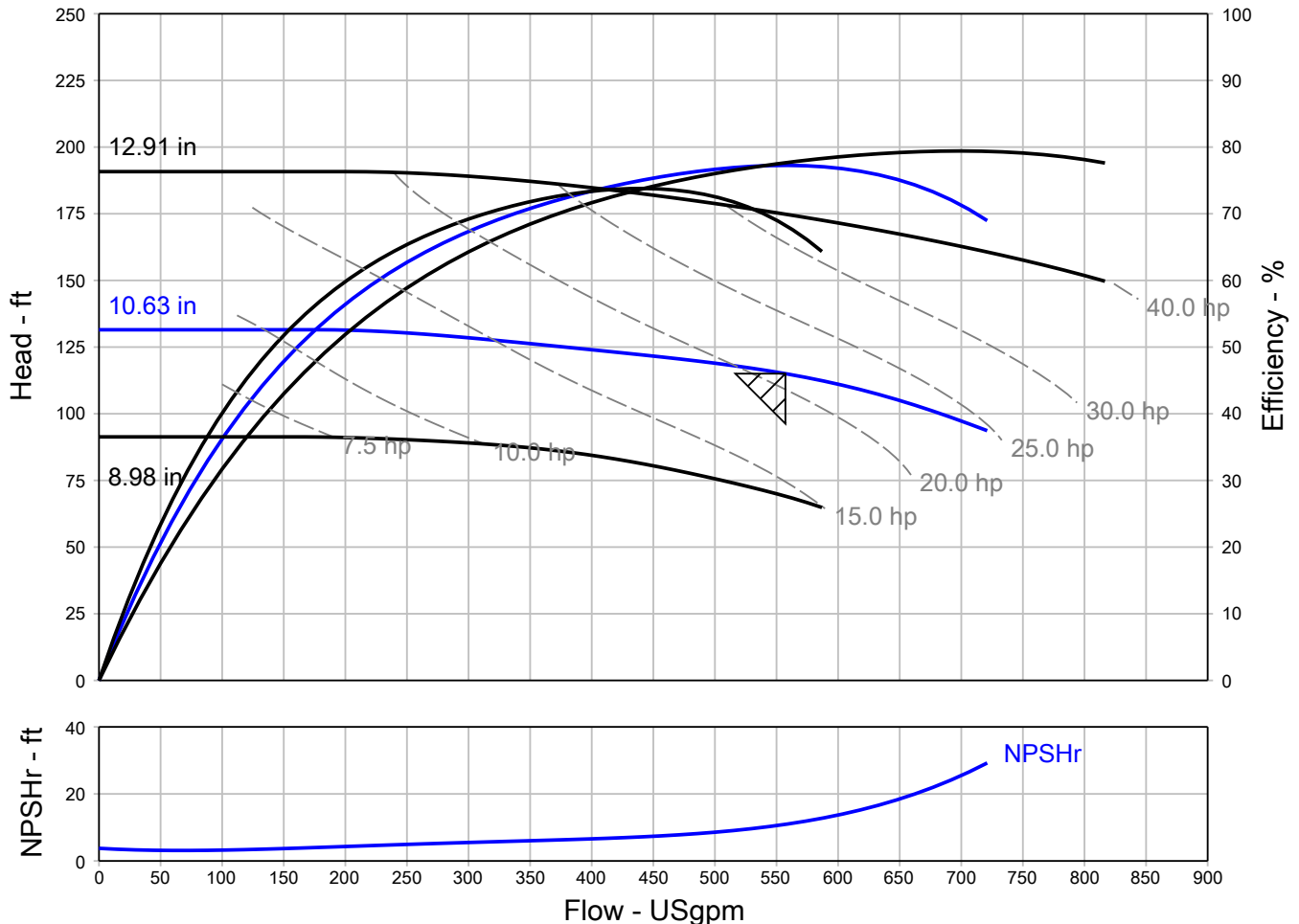
Grundfos Series NBS - Split Coupled End Suction Pump

QUOTE NUMBER / ID 74718	UNIT TAG 001	QUANTITY 1
REPRESENTATIVE	SERVICE	
ENGINEER	SUBMITTED BY	DATE
CONTRACTOR	APPROVED BY	DATE
	ORDER #	DATE



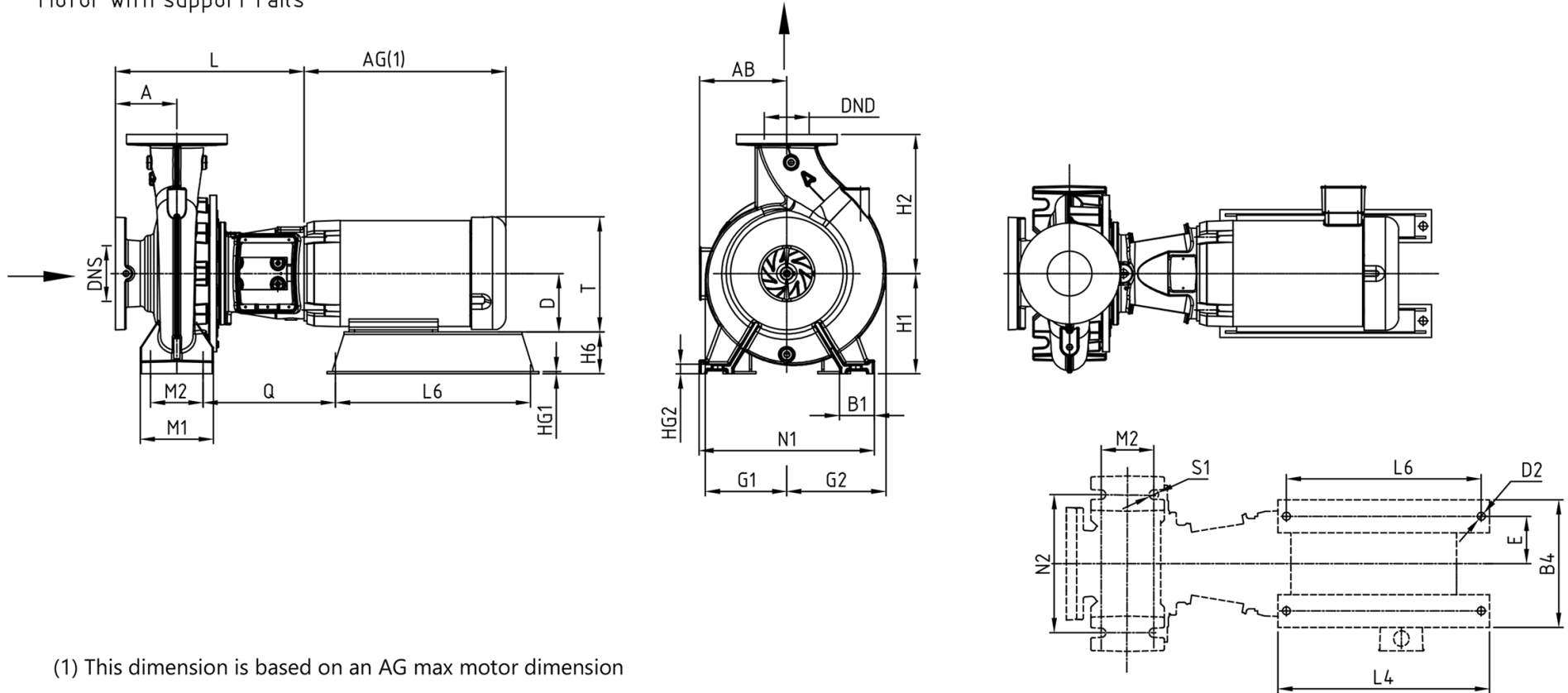
NBS 030-135-4P
1765 rpm

Conditions of Service		Pump Data		Motor Data	
Flow	557.2 USgpm	Impeller Diameter	10.63 in	Motor HP	25 HP
Head	115.0 ft	Max. Imp. Dia.	12.91 in	BHP	20.95 HP
Liquid	Cold Water	Min. Imp. Dia.	8.98 in	Enclosure	ODP
Temperature	68.00 deg F	Efficiency	77.26 %	Voltage	230/460 V
NPSHr	10.93 ft	Suction	4 in	Phase	3 Phase
Viscosity	1.00 cP	Discharge	3 in	Cycle	60
Specific Gravity	1.000 SG	PEI (CL)	0.91	Frame Size	284TC
		ER (CL)	9	Shaft Grounding	Include



Grundfos Series NBS - Split Coupled End Suction Pump

Mounting design B
Centre-line outlet
Motor with support rails



NOT FOR CONSTRUCTION, unless certified and referenced on order

Units	Frame	DNS	DND	Class	A	AB	AG	B1	B4	D	D2	E	G1	G2	H1	H2	H6	HG1	HG2	L	L4	L6	M1	M2	N1	N2	Q	S1	T
inches	284TC	4	3	125	5.00	13.13	23.63	2.99	15.17	7.00	0.69	5.50	8.19	9.39	10.00	12.50	3.00	0.31	0.55	18.94	22.25	20.75	6.30	4.72	15.75	12.40	14.57	0.83	14.63