

Pump Performance Datasheet

| | |
|----------------------|--|
| Customer : | Quote Number / ID : 74718 |
| Customer ref. / PO : | Model : NBS 030-110-4P |
| Tag Number : 001 | Stages : 1 |
| Service : | Based on curve number : 030-110-4P_Std |
| Quantity : 1 | Basic model number : - |
| | Date last saved : 01/13/2023 3:09 AM |

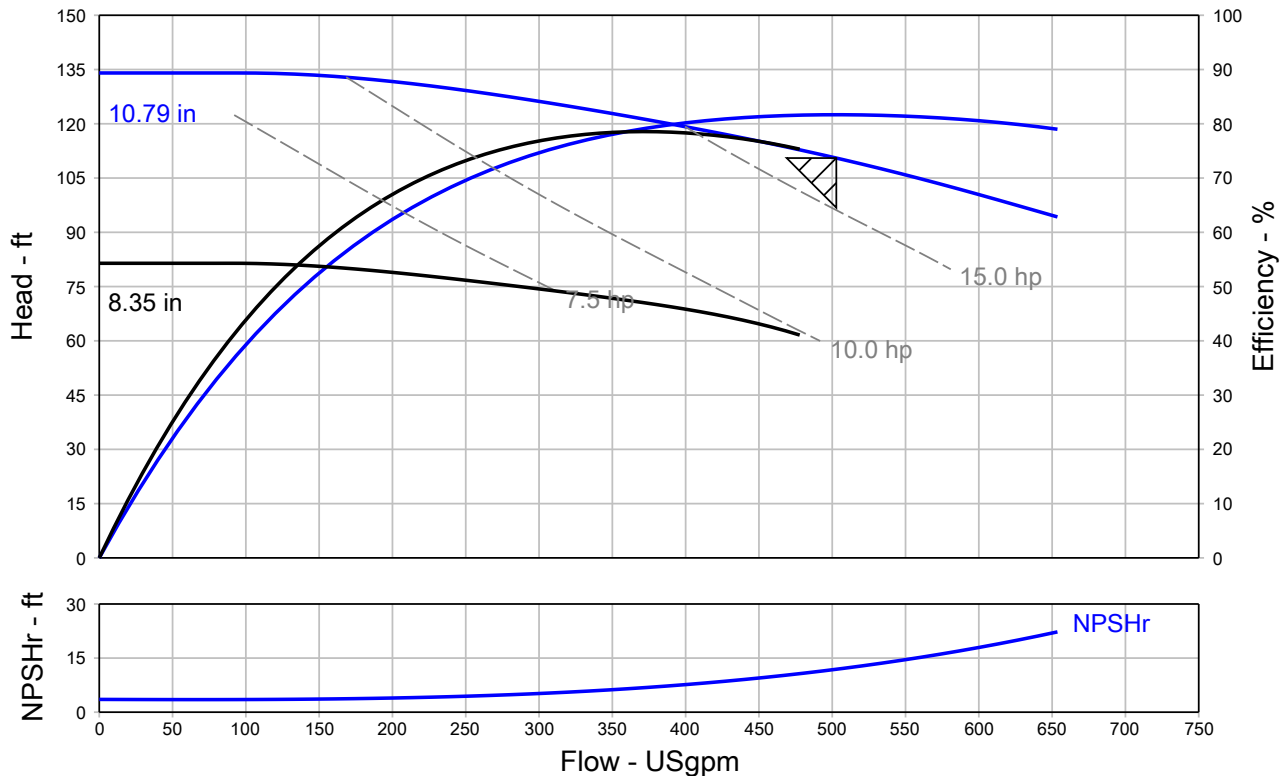
| Operating Conditions | Liquid |
|--|---|
| Flow, rated : 502.8 USgpm | Liquid type : Cold Water |
| Differential head / pressure, rated (requested) : 110.5 ft | Additional liquid description : |
| Differential head / pressure, rated (actual) : 110.5 ft | Solids diameter, max : 0.00 in |
| Suction pressure, rated / max : 0.00 / 0.00 psi.g | Solids concentration, by volume : 0.00 % |
| NPSH available, rated : Ample | Temperature, max : 68.00 deg F |
| Site Supply Frequency : 60 Hz | Fluid density, rated / max : 1.000 / 1.000 SG |
| | Viscosity, rated : 1.00 cP |
| | Vapor pressure, rated : 0.34 psi.a |

| Performance | Material |
|--|---|
| Speed, rated : 1765 rpm | Material selected : Cast iron / 125 Class |
| Impeller diameter, rated : 10.79 in | |
| Impeller diameter, maximum : 10.79 in | |
| Impeller diameter, minimum : 8.35 in | |
| Efficiency : 81.67 % | |
| NPSH required / margin required : 11.90 / 0.00 ft | |
| nq (imp. eye flow) / S (imp. eye flow) : 22 / 120 Metric units | |
| MCSF : 50.30 USgpm | |
| Head, maximum, rated diameter : 134.0 ft | |
| Head rise to shutoff : 21.28 % | |
| Flow, best eff. point : 502.8 USgpm | |
| Flow ratio, rated / BEP : 100.00 % | |
| Diameter ratio (rated / max) : 100.00 % | |
| Head ratio (rated dia / max dia) : 100.00 % | |
| Cq/Ch/Ce/Cn [ANSI/HI 9.6.7-2010] : 1.00 / 1.00 / 1.00 / 1.00 | |
| Selection status : Acceptable | |

| Pressure Data |
|--|
| Maximum working pressure : 58.01 psi.g |
| Maximum allowable working pressure : 175.0 psi.g |
| Maximum allowable suction pressure : 130.0 psi.g |
| Hydrostatic test pressure : 263.0 psi.g |

| Driver & Power Data (@Max density) |
|--|
| Motor sizing specification : Max power (non-overloading) |
| Margin over specification : 0.00 % |
| Service factor : 1.15 (used) |
| Power, hydraulic : 14.03 hp |
| Rated power (based on duty point) : 17.18 hp |
| Max power (non-overloading) : 19.69 hp |
| Nameplate motor rating : 20.00 hp / 14.91 kW |

| Energy Indexes |
|-----------------|
| PEI (CL) : 0.90 |
| ER (CL) : 10 |



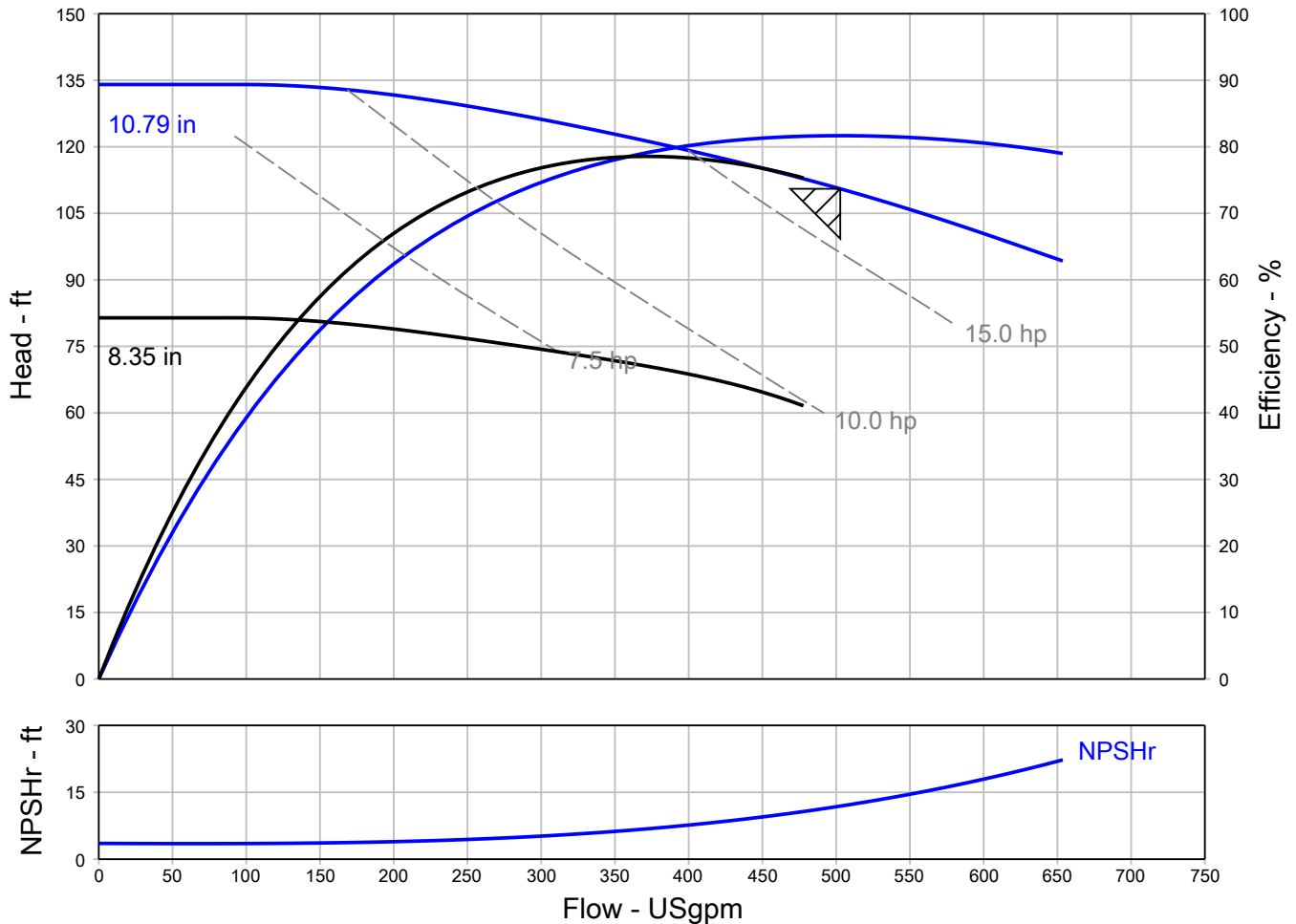
Grundfos Series NBS - Split Coupled End Suction Pump

| | | |
|-------------------------|--------------|------------|
| QUOTE NUMBER / ID 74718 | UNIT TAG 001 | QUANTITY 1 |
| REPRESENTATIVE | SERVICE | DATE |
| ENGINEER | SUBMITTED BY | DATE |
| CONTRACTOR | APPROVED BY | DATE |
| | ORDER # | DATE |



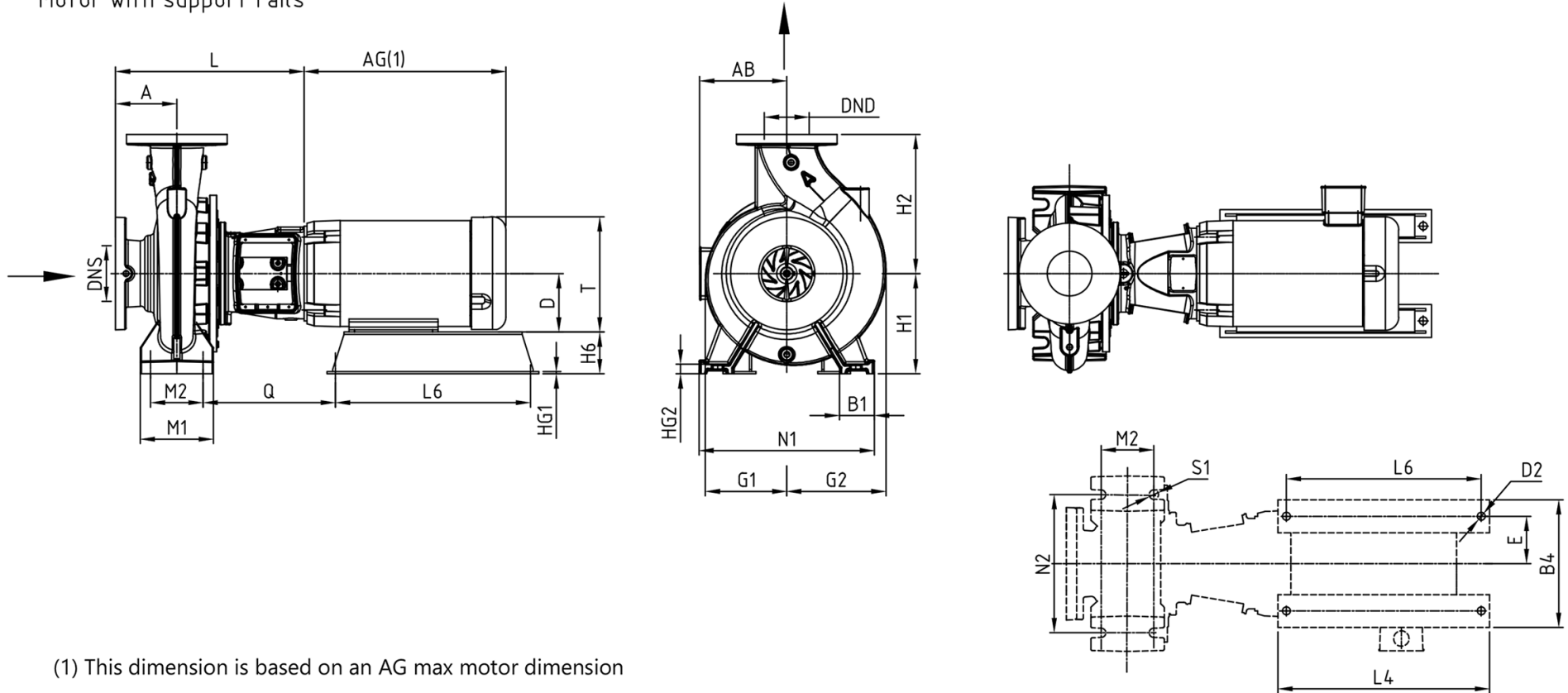
NBS 030-110-4P
1765 rpm

| Conditions of Service | | Pump Data | | Motor Data | |
|-----------------------|-------------|-------------------|----------|-----------------|-----------|
| Flow | 502.8 USgpm | Impeller Diameter | 10.79 in | Motor HP | 20 HP |
| Head | 110.5 ft | Max. Imp. Dia. | 10.79 in | BHP | 17.18 HP |
| Liquid | Cold Water | Min. Imp. Dia. | 8.35 in | Enclosure | ODP |
| Temperature | 68.00 deg F | Efficiency | 81.67 % | Voltage | 230/460 V |
| NPSHr | 11.90 ft | Suction | 4 in | Phase | 3 Phase |
| Viscosity | 1.00 cP | Discharge | 3 in | Cycle | 60 |
| Specific Gravity | 1.000 SG | PEI (CL) | 0.9 | Frame Size | 256TC |
| | | ER (CL) | 10 | Shaft Grounding | Include |



Grundfos Series NBS - Split Coupled End Suction Pump

Mounting design B
Centre-line outlet
Motor with support rails



NOT FOR CONSTRUCTION, unless certified and referenced on order

| Units | Frame | DNS | DND | Class | A | AB | AG | B1 | B4 | D | D2 | E | G1 | G2 | H1 | H2 | H6 | HG1 | HG2 | L | L4 | L6 | M1 | M2 | N1 | N2 | Q | S1 | T |
|--------|-------|-----|-----|-------|------|------|-------|------|-------|------|------|------|------|------|------|-------|------|------|------|-------|-------|-------|------|------|-------|-------|-------|------|-------|
| inches | 256TC | 4 | 3 | 125 | 5.00 | 9.63 | 21.53 | 3.15 | 12.95 | 6.25 | 0.69 | 5.00 | 7.09 | 8.02 | 8.00 | 12.50 | 1.75 | 0.20 | 0.75 | 17.56 | 20.00 | 18.50 | 6.30 | 4.72 | 15.75 | 12.40 | 12.81 | 0.83 | 12.88 |