

Pump Performance Datasheet

Customer :	Quote Number / ID :	74718
Customer ref. / PO :	Model :	NBS 015-095-4P
Tag Number : 001	Stages :	1
Service :	Based on curve number :	015-095-4P_Std
Quantity : 1	Basic model number :	-
	Date last saved :	01/13/2023 2:06 AM

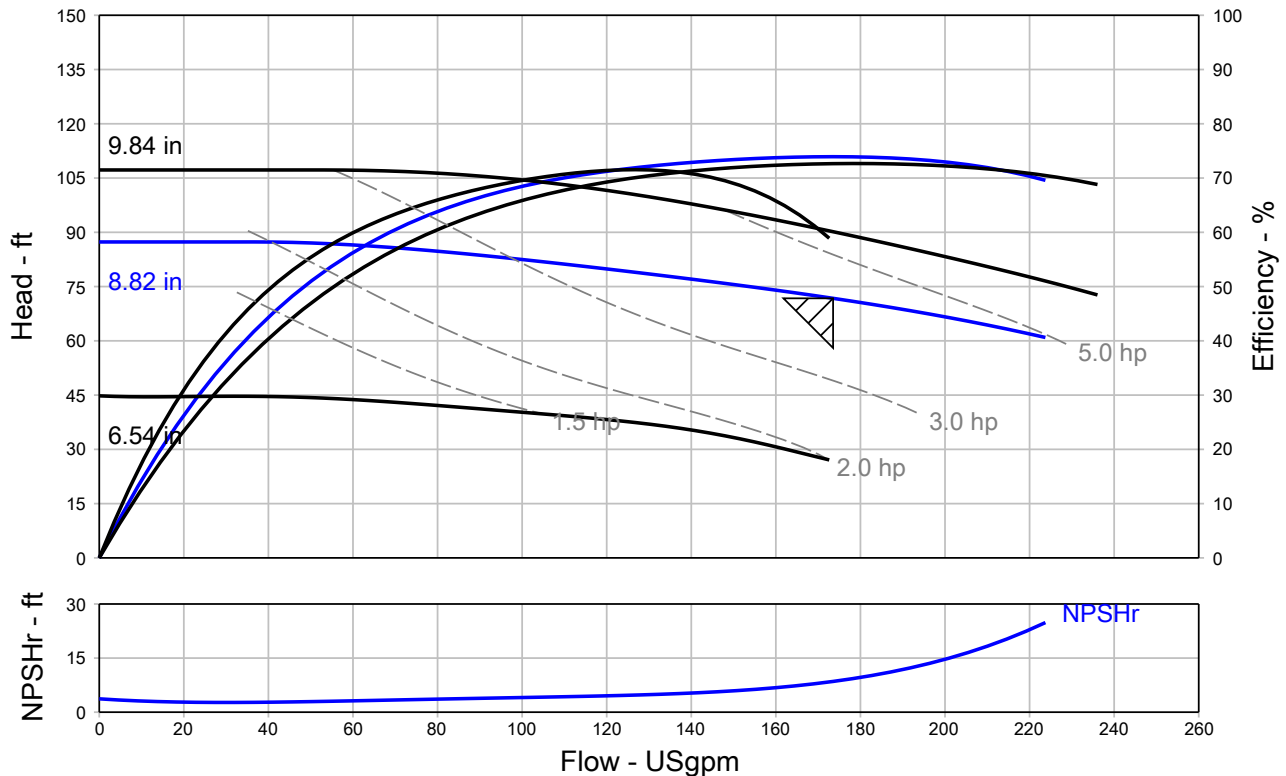
Operating Conditions	Liquid
Flow, rated : 173.5 USgpm	Liquid type : Cold Water
Differential head / pressure, rated (requested) : 71.75 ft	Additional liquid description :
Differential head / pressure, rated (actual) : 71.75 ft	Solids diameter, max : 0.00 in
Suction pressure, rated / max : 0.00 / 0.00 psi.g	Solids concentration, by volume : 0.00 %
NPSH available, rated : Ample	Temperature, max : 68.00 deg F
Site Supply Frequency : 60 Hz	Fluid density, rated / max : 1.000 / 1.000 SG
	Viscosity, rated : 1.00 cP
	Vapor pressure, rated : 0.34 psi.a

Performance	Material
Speed, rated : 1750 rpm	Material selected : Cast iron / 125 Class
Impeller diameter, rated : 8.82 in	
Impeller diameter, maximum : 9.84 in	
Impeller diameter, minimum : 6.54 in	
Efficiency : 73.93 %	
NPSH required / margin required : 8.52 / 0.00 ft	
nq (imp. eye flow) / S (imp. eye flow) : 16 / 92 Metric units	
MCSF : 15.15 USgpm	
Head, maximum, rated diameter : 87.33 ft	
Head rise to shutoff : 21.72 %	
Flow, best eff. point : 173.5 USgpm	
Flow ratio, rated / BEP : 100.00 %	
Diameter ratio (rated / max) : 89.63 %	
Head ratio (rated dia / max dia) : 79.58 %	
Cq/Ch/Ce/Cn [ANSI/HI 9.6.7-2010] : 1.00 / 1.00 / 1.00 / 1.00	
Selection status : Acceptable	

Pressure Data
Maximum working pressure : 37.79 psi.g
Maximum allowable working pressure : 175.0 psi.g
Maximum allowable suction pressure : 130.0 psi.g
Hydrostatic test pressure : 263.0 psi.g

Driver & Power Data (@Max density)
Motor sizing specification : Max power (non-overloading)
Margin over specification : 0.00 %
Service factor : 1.15 (used)
Power, hydraulic : 3.14 hp
Rated power (based on duty point) : 4.25 hp
Max power (non-overloading) : 4.95 hp
Nameplate motor rating : 5.00 hp / 3.73 kW

Energy Indexes
PEI (CL) : 0.83
ER (CL) : 17



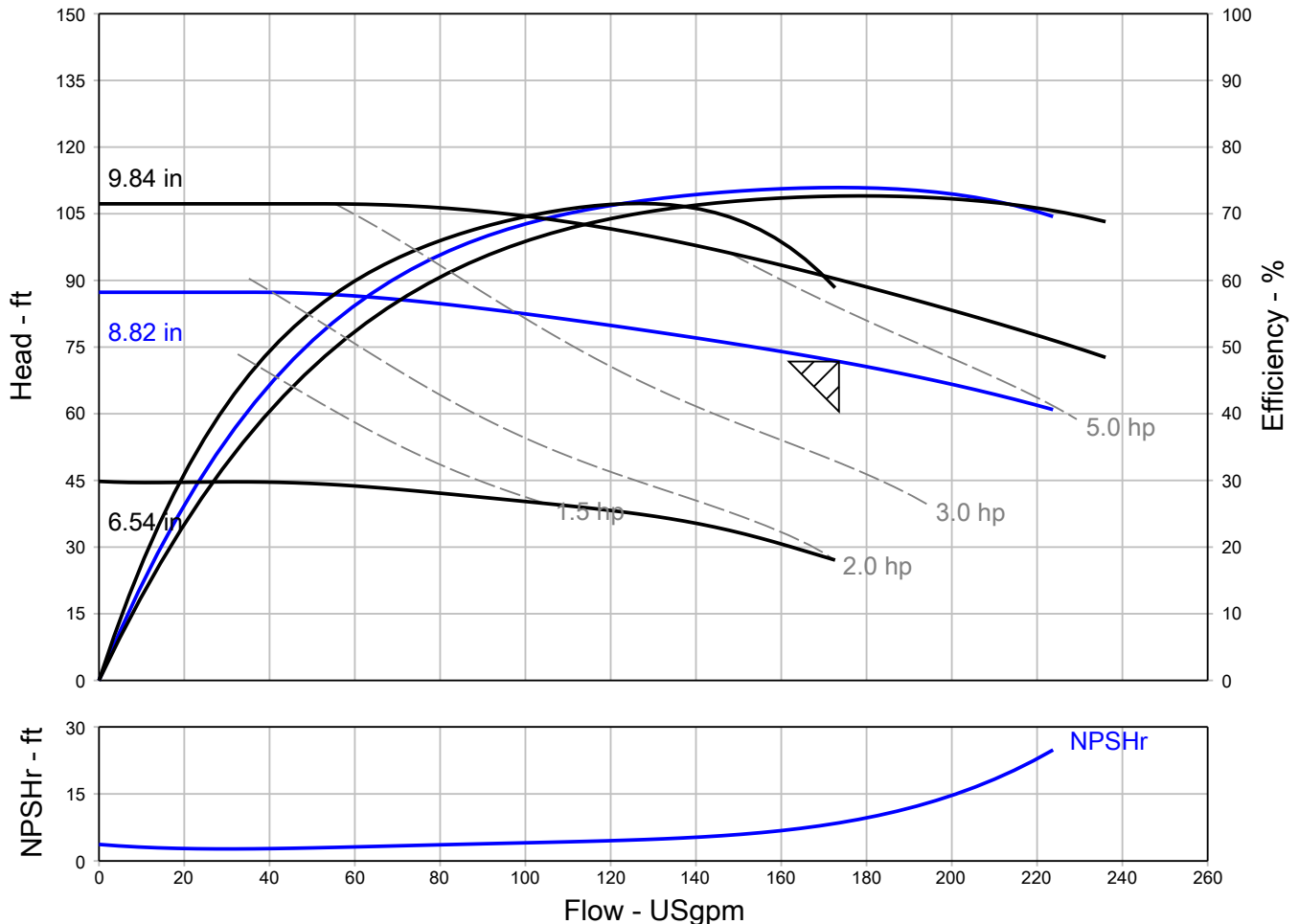
Grundfos Series NBS - Split Coupled End Suction Pump

QUOTE NUMBER / ID 74718	UNIT TAG 001	QUANTITY 1
REPRESENTATIVE	SERVICE	DATE
ENGINEER	SUBMITTED BY	DATE
CONTRACTOR	APPROVED BY	DATE
	ORDER #	DATE



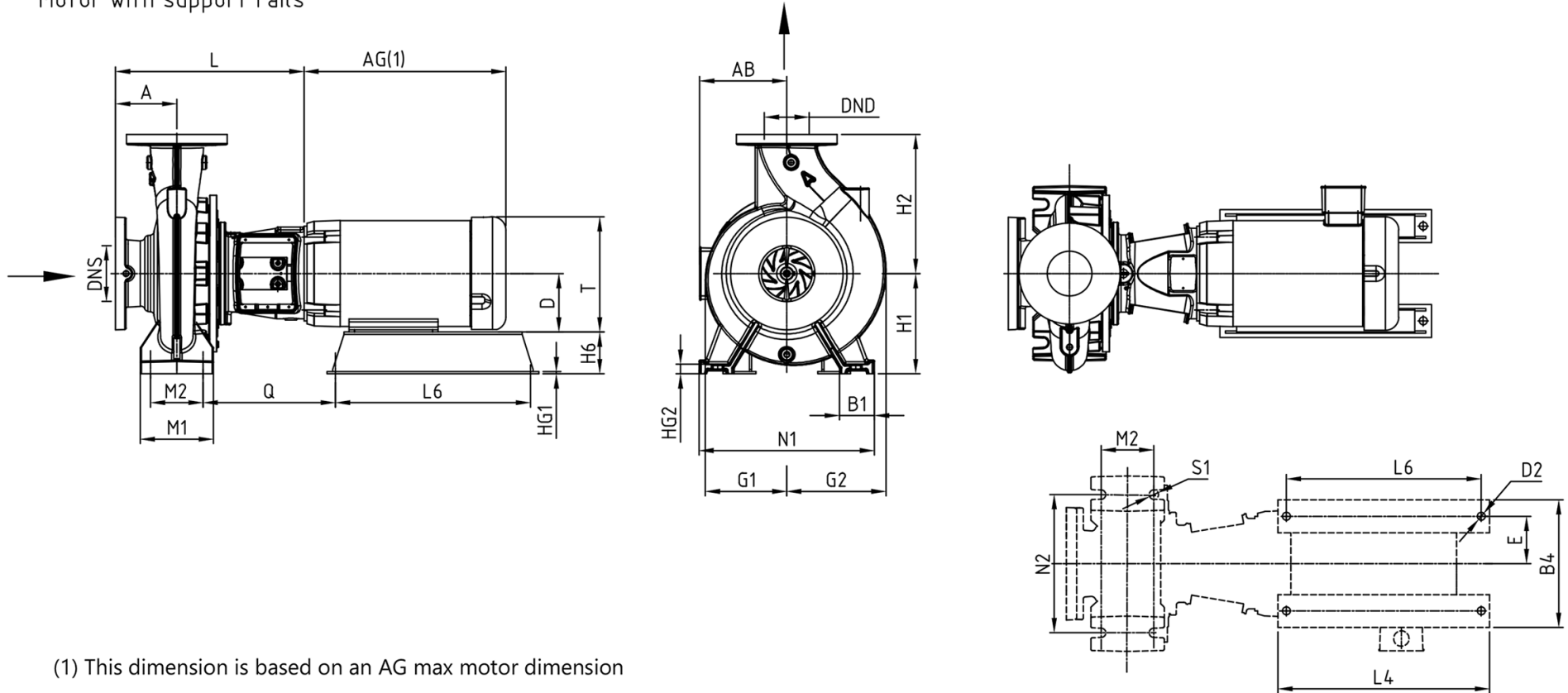
NBS 015-095-4P
1750 rpm

Conditions of Service		Pump Data		Motor Data	
Flow	173.5 USgpm	Impeller Diameter	8.82 in	Motor HP	5 HP
Head	71.75 ft	Max. Imp. Dia.	9.84 in	BHP	4.25 HP
Liquid	Cold Water	Min. Imp. Dia.	6.54 in	Enclosure	ODP
Temperature	68.00 deg F	Efficiency	73.93 %	Voltage	230/460 V
NPSHr	8.52 ft	Suction	2.5 in	Phase	3 Phase
Viscosity	1.00 cP	Discharge	1.5 in	Cycle	60
Specific Gravity	1.000 SG	PEI (CL)	0.83	Frame Size	184TC
		ER (CL)	17	Shaft Grounding	Include



Grundfos Series NBS - Split Coupled End Suction Pump

Mounting design B
Centre-line outlet
Motor with support rails



NOT FOR CONSTRUCTION, unless certified and referenced on order

Units	Frame	DNS	DND	Class	A	AB	AG	B1	B4	D	D2	E	G1	G2	H1	H2	H6	HG1	HG2	L	L4	L6	M1	M2	N1	N2	Q	S1	T
inches	184TC	2.5	1.5	125	4.00	5.88	15.63	2.56	10.45	4.50	0.69	3.75	5.94	6.69	7.00	9.00	2.50	0.20	0.67	15.52	14.66	13.16	4.92	3.74	12.60	9.84	10.81	0.67	8.69