

## Pump Performance Datasheet

|                      |                         |                    |
|----------------------|-------------------------|--------------------|
| Customer :           | Quote Number / ID :     | 74718              |
| Customer ref. / PO : | Model :                 | NBS 030-095-4P     |
| Tag Number : 001     | Stages :                | 1                  |
| Service :            | Based on curve number : | 030-095-4P_Std     |
| Quantity : 1         | Basic model number :    | -                  |
|                      | Date last saved :       | 01/13/2023 3:06 AM |

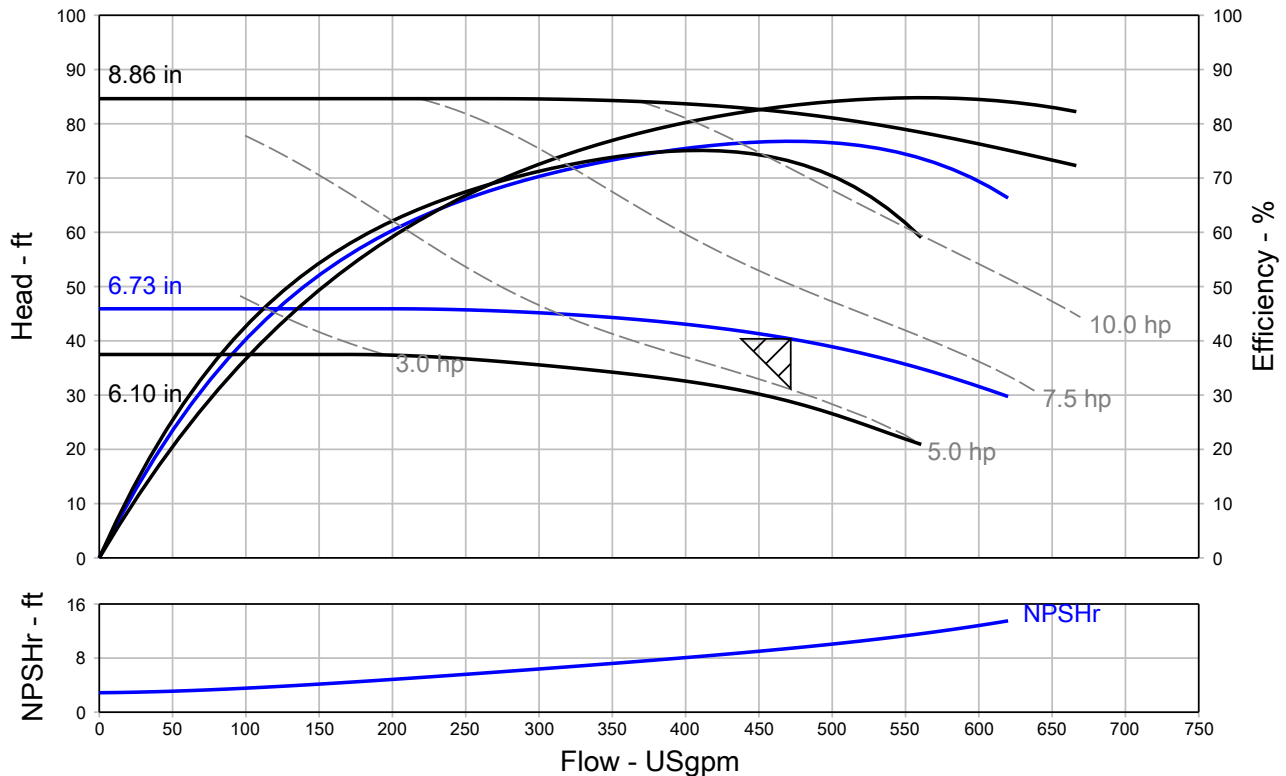
| Operating Conditions                            |                     | Liquid                          |                    |
|---|---------------------|---------------------------------|--------------------|
| Flow, rated                                     | : 471.7 USgpm       | Liquid type                     | : Cold Water       |
| Differential head / pressure, rated (requested) | : 40.36 ft          | Additional liquid description   | :                  |
| Differential head / pressure, rated (actual)    | : 40.36 ft          | Solids diameter, max            | : 0.00 in          |
| Suction pressure, rated / max                   | : 0.00 / 0.00 psi.g | Solids concentration, by volume | : 0.00 %           |
| NPSH available, rated                           | : Ample             | Temperature, max                | : 68.00 deg F      |
| Site Supply Frequency                           | : 60 Hz             | Fluid density, rated / max      | : 1.000 / 1.000 SG |

| Performance                |            | Material          |                         |
|----------------------------|------------|-------------------|-------------------------|
| Speed, rated               | : 1750 rpm | Material selected | : Cast iron / 125 Class |
| Impeller diameter, rated   | : 6.73 in  |                   |                         |
| Impeller diameter, maximum | : 8.86 in  |                   |                         |
| Impeller diameter, minimum | : 6.10 in  |                   |                         |

| Performance                            |                             | Pressure Data                      |               |
|--|-----------------------------|------------------------------------|---------------|
| Efficiency                             | : 76.78 %                   | Maximum working pressure           | : 19.87 psi.g |
| NPSH required / margin required        | : 9.45 / 0.00 ft            | Maximum allowable working pressure | : 175.0 psi.g |
| nq (imp. eye flow) / S (imp. eye flow) | : 30 / 150 Metric units     | Maximum allowable suction pressure | : 130.0 psi.g |
| MCSF                                   | : 43.69 USgpm               | Hydrostatic test pressure          | : 263.0 psi.g |
| Head, maximum, rated diameter          | : 45.91 ft                  |                                    |               |
| Head rise to shutoff                   | : 13.73 %                   |                                    |               |
| Flow, best eff. point                  | : 471.7 USgpm               |                                    |               |
| Flow ratio, rated / BEP                | : 100.00 %                  |                                    |               |
| Diameter ratio (rated / max)           | : 75.96 %                   |                                    |               |
| Head ratio (rated dia / max dia)       | : 49.20 %                   |                                    |               |
| Cq/Ch/Ce/Cn [ANSI/HI 9.6.7-2010]       | : 1.00 / 1.00 / 1.00 / 1.00 |                                    |               |
| Selection status                       | : Acceptable                |                                    |               |

| Energy Indexes |        | Driver & Power Data (@Max density) |                               |
|----------------|--------|------------------------------------|-------------------------------|
| PEI (CL)       | : 0.92 | Motor sizing specification         | : Max power (non-overloading) |
| ER (CL)        | : 8    | Margin over specification          | : 0.00 %                      |
|                |        | Service factor                     | : 1.15 (used)                 |
|                |        | Power, hydraulic                   | : 4.81 hp                     |
|                |        | Rated power (based on duty point)  | : 6.26 hp                     |
|                |        | Max power (non-overloading)        | : 7.02 hp                     |
|                |        | Nameplate motor rating             | : 7.50 hp / 5.59 kW           |

| Energy Indexes |        |
|----------------|--------|
| PEI (CL)       | : 0.92 |
| ER (CL)        | : 8    |



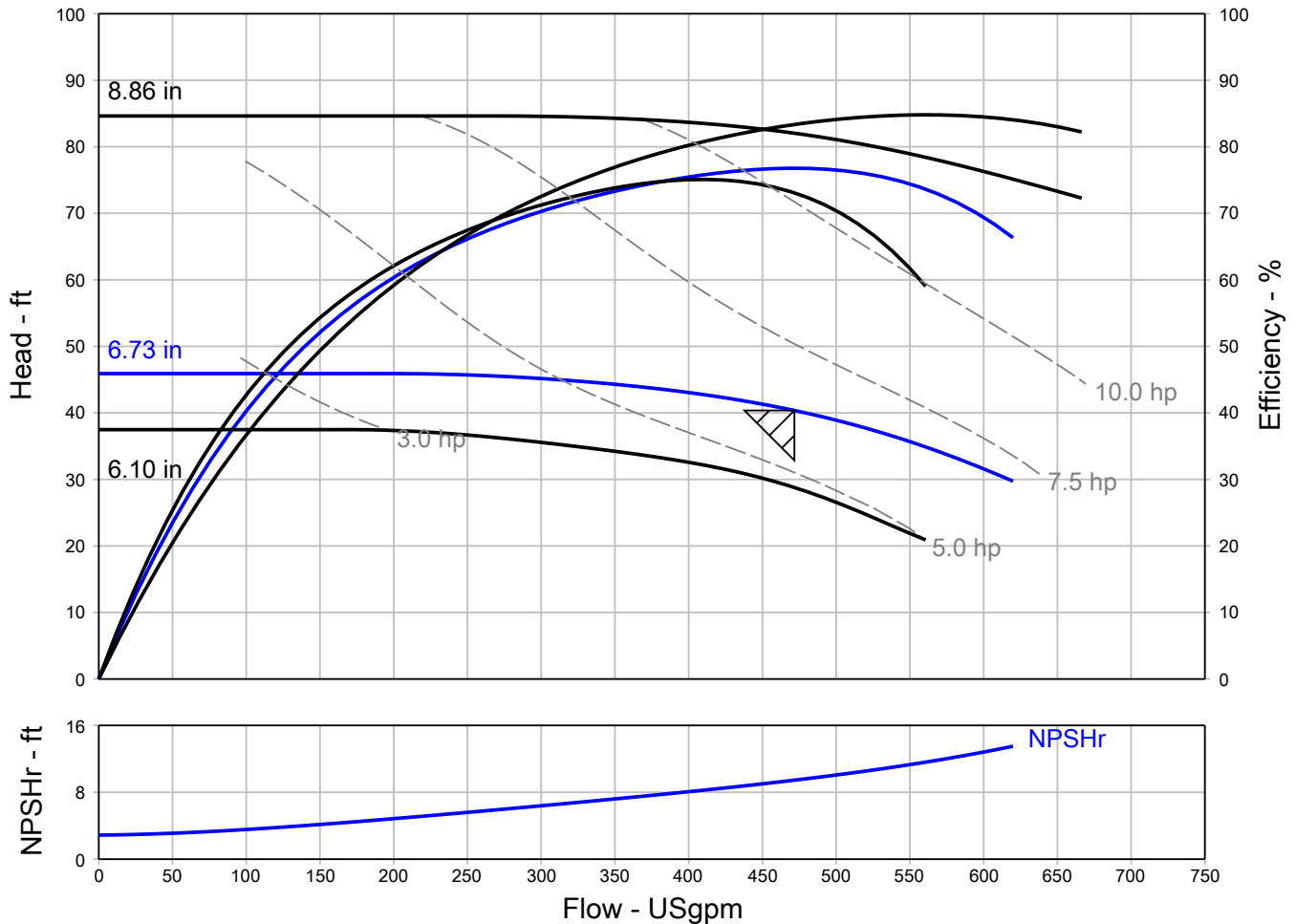
**Grundfos Series NBS - Split Coupled End Suction Pump**

|                         |              |            |
|-------------------------|--------------|------------|
| QUOTE NUMBER / ID 74718 | UNIT TAG 001 | QUANTITY 1 |
| REPRESENTATIVE          | SERVICE      |            |
| ENGINEER                | SUBMITTED BY | DATE       |
| CONTRACTOR              | APPROVED BY  | DATE       |
|                         | ORDER #      | DATE       |



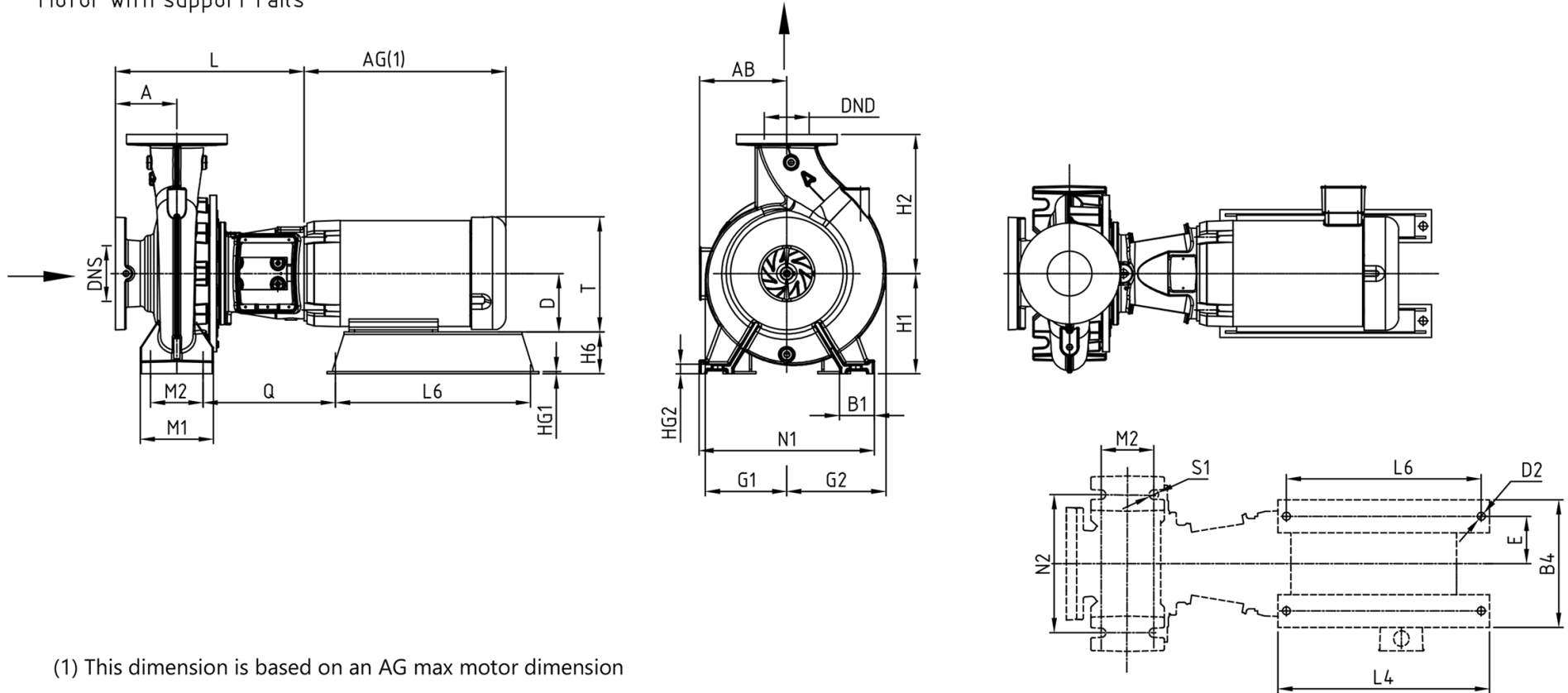
**NBS 030-095-4P**  
**1750 rpm**

| Conditions of Service |             | Pump Data         |         | Motor Data      |           |
|-----------------------|-------------|-------------------|---------|-----------------|-----------|
| Flow                  | 471.7 USgpm | Impeller Diameter | 6.73 in | Motor HP        | 7.5 HP    |
| Head                  | 40.36 ft    | Max. Imp. Dia.    | 8.86 in | BHP             | 6.26 HP   |
| Liquid                | Cold Water  | Min. Imp. Dia.    | 6.10 in | Enclosure       | ODP       |
| Temperature           | 68.00 deg F | Efficiency        | 76.78 % | Voltage         | 230/460 V |
| NPSHr                 | 9.45 ft     | Suction           | 4 in    | Phase           | 3 Phase   |
| Viscosity             | 1.00 cP     | Discharge         | 3 in    | Cycle           | 60        |
| Specific Gravity      | 1.000 SG    | PEI (CL)          | 0.92    | Frame Size      | 213TC     |
|                       |             | ER (CL)           | 8       | Shaft Grounding | Include   |



**Grundfos Series NBS - Split Coupled End Suction Pump**

Mounting design B  
Centre-line outlet  
Motor with support rails



NOT FOR CONSTRUCTION, unless certified and referenced on order

| Units  | Frame | DNS | DND | Class | A    | AB   | AG    | B1   | B4    | D    | D2   | E    | G1   | G2   | H1   | H2    | H6   | HG1  | HG2  | L     | L4    | L6    | M1   | M2   | N1    | N2    | Q     | S1   | T     |
|--------|-------|-----|-----|-------|------|------|-------|------|-------|------|------|------|------|------|------|-------|------|------|------|-------|-------|-------|------|------|-------|-------|-------|------|-------|
| inches | 213TC | 4   | 3   | 125   | 5.00 | 7.38 | 17.63 | 3.15 | 11.45 | 5.25 | 0.69 | 4.25 | 6.09 | 8.22 | 8.00 | 11.00 | 2.75 | 0.20 | 0.83 | 17.30 | 16.66 | 15.16 | 6.30 | 4.72 | 15.75 | 12.40 | 11.98 | 0.83 | 10.25 |