

Pump Performance Datasheet

Customer :	Quote Number / ID :	74718
Customer ref. / PO :	Model :	NBS 025-095-4P
Tag Number : 001	Stages :	1
Service :	Based on curve number :	025-095-4P_Std
Quantity : 1	Basic model number :	-
	Date last saved :	01/13/2023 2:20 AM

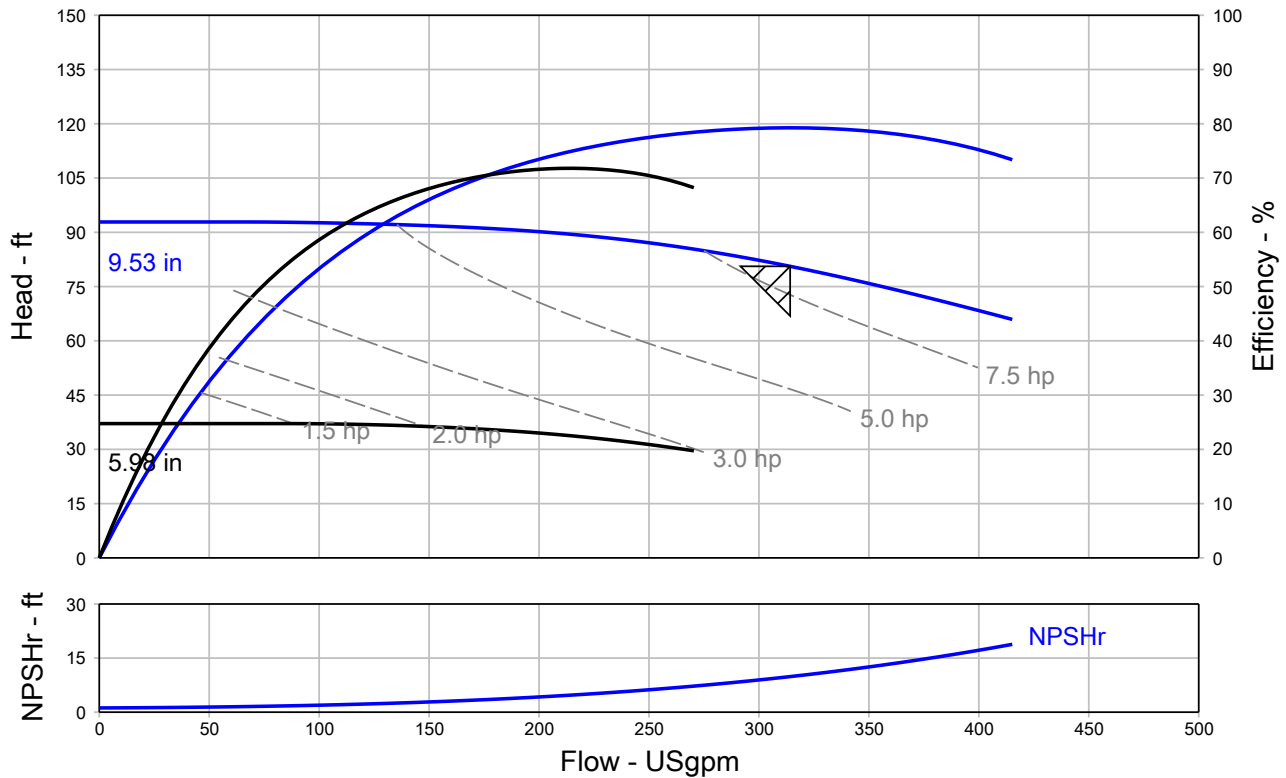
Operating Conditions		Liquid	
Flow, rated	: 314.2 USgpm	Liquid type	: Cold Water
Differential head / pressure, rated (requested)	: 80.60 ft	Additional liquid description	:
Differential head / pressure, rated (actual)	: 80.60 ft	Solids diameter, max	: 0.00 in
Suction pressure, rated / max	: 0.00 / 0.00 psi.g	Solids concentration, by volume	: 0.00 %
NPSH available, rated	: Ample	Temperature, max	: 68.00 deg F
Site Supply Frequency	: 60 Hz	Fluid density, rated / max	: 1.000 / 1.000 SG

Performance		Material	
Speed, rated	: 1750 rpm	Material selected	: Cast iron / 125 Class
Impeller diameter, rated	: 9.53 in		
Impeller diameter, maximum	: 9.53 in		
Impeller diameter, minimum	: 5.98 in		

Performance		Pressure Data	
Efficiency	: 79.26 %	Maximum working pressure	: 40.18 psi.g
NPSH required / margin required	: 9.86 / 0.00 ft	Maximum allowable working pressure	: 175.0 psi.g
nq (imp. eye flow) / S (imp. eye flow)	: 22 / 108 Metric units	Maximum allowable suction pressure	: 130.0 psi.g
MCSF	: 31.42 USgpm	Hydrostatic test pressure	: 263.0 psi.g
Head, maximum, rated diameter	: 92.85 ft		
Head rise to shutoff	: 15.21 %		

Performance		Driver & Power Data (@Max density)	
Flow, best eff. point	: 314.2 USgpm	Motor sizing specification	: Max power (non-overloading)
Flow ratio, rated / BEP	: 100.00 %	Margin over specification	: 0.00 %
Diameter ratio (rated / max)	: 100.00 %	Service factor	: 1.15 (used)
Head ratio (rated dia / max dia)	: 100.00 %	Power, hydraulic	: 6.39 hp
Cq/Ch/Ce/Cn [ANSI/HI 9.6.7-2010]	: 1.00 / 1.00 / 1.00 / 1.00	Rated power (based on duty point)	: 8.07 hp
Selection status	: Acceptable	Max power (non-overloading)	: 9.42 hp
		Nameplate motor rating	: 10.00 hp / 7.46 kW

Energy Indexes	
PEI (CL)	: 0.90
ER (CL)	: 10



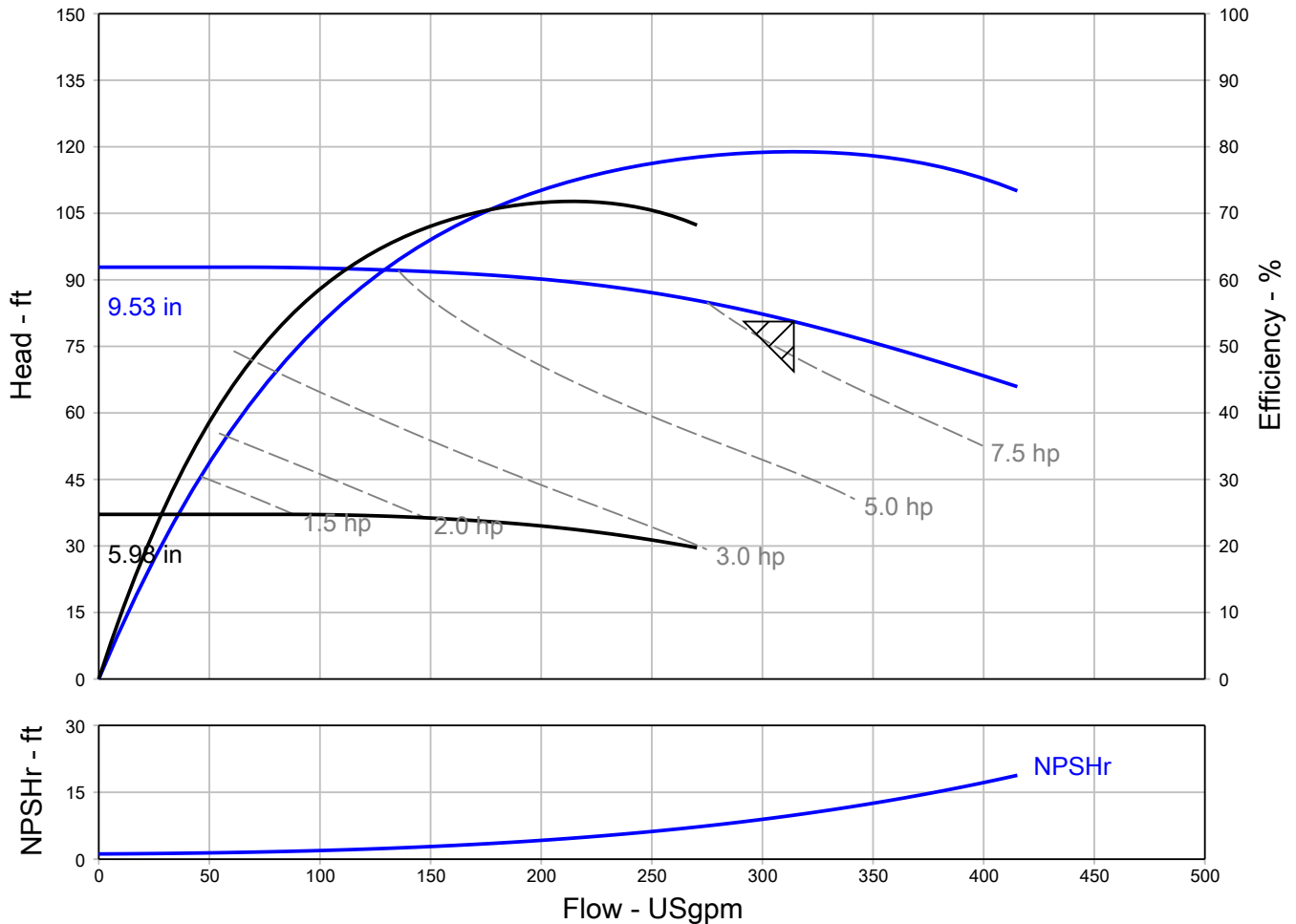
Grundfos Series NBS - Split Coupled End Suction Pump

QUOTE NUMBER / ID 74718	UNIT TAG 001	QUANTITY 1
REPRESENTATIVE	SERVICE	DATE
ENGINEER	SUBMITTED BY	DATE
CONTRACTOR	APPROVED BY	DATE
	ORDER #	DATE



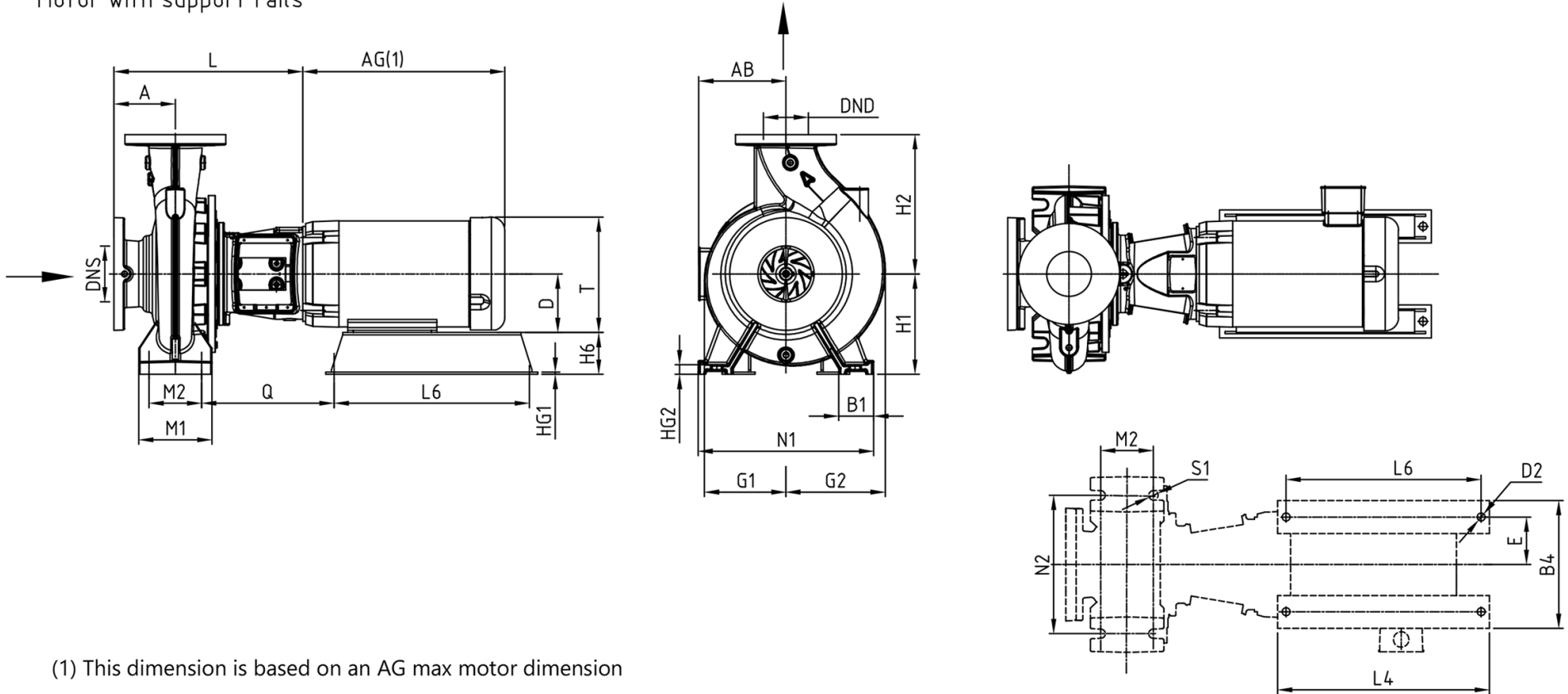
NBS 025-095-4P
1750 rpm

Conditions of Service		Pump Data		Motor Data	
Flow	314.2 USgpm	Impeller Diameter	9.53 in	Motor HP	10 HP
Head	80.60 ft	Max. Imp. Dia.	9.53 in	BHP	8.07 HP
Liquid	Cold Water	Min. Imp. Dia.	5.98 in	Enclosure	ODP
Temperature	68.00 deg F	Efficiency	79.26 %	Voltage	230/460 V
NPSHr	9.86 ft	Suction	3 in	Phase	3 Phase
Viscosity	1.00 cP	Discharge	2.5 in	Cycle	60
Specific Gravity	1.000 SG	PEI (CL)	0.9	Frame Size	215TC
		ER (CL)	10	Shaft Grounding	Include



Grundfos Series NBS - Split Coupled End Suction Pump

Mounting design B
Centre-line outlet
Motor with support rails



NOT FOR CONSTRUCTION, unless certified and referenced on order

Units	Frame	DNS	DND	Class	A	AB	AG	B1	B4	D	D2	E	G1	G2	H1	H2	H6	HG1	HG2	L	L4	L6	M1	M2	N1	N2	Q	S1	T
inches	215TC	3	2.5	125	4.00	7.38	18.14	3.15	11.45	5.25	0.69	4.25	6.47	7.34	8.00	10.00	2.75	0.20	0.94	15.52	16.66	15.16	6.30	4.57	14.17	11.02	11.28	0.83	10.25