

Pump Performance Datasheet

| | | |
|----------------------|-------------------------|--------------------|
| Customer : | Quote Number / ID : | 74718 |
| Customer ref. / PO : | Model : | NBS 040-095-4P |
| Tag Number : 001 | Stages : | 1 |
| Service : | Based on curve number : | 040-095-4P_Std |
| Quantity : 1 | Basic model number : | - |
| | Date last saved : | 01/13/2023 4:21 AM |

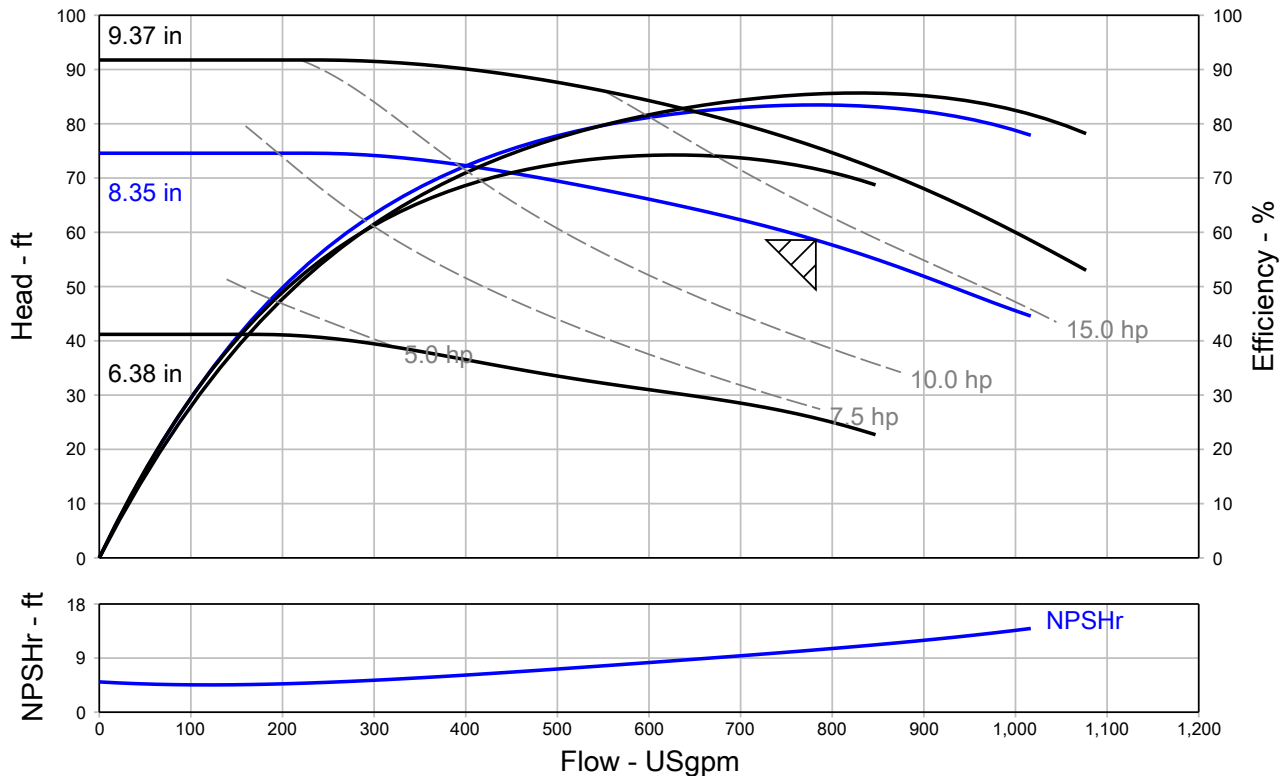
| Operating Conditions | | Liquid | |
|---|---------------------|---------------------------------|--------------------|
| Flow, rated | : 782.1 USgpm | Liquid type | : Cold Water |
| Differential head / pressure, rated (requested) | : 58.58 ft | Additional liquid description | : |
| Differential head / pressure, rated (actual) | : 58.58 ft | Solids diameter, max | : 0.00 in |
| Suction pressure, rated / max | : 0.00 / 0.00 psi.g | Solids concentration, by volume | : 0.00 % |
| NPSH available, rated | : Ample | Temperature, max | : 68.00 deg F |
| Site Supply Frequency | : 60 Hz | Fluid density, rated / max | : 1.000 / 1.000 SG |

| Performance | | Material | |
|----------------------------|------------|-------------------|-------------------------|
| Speed, rated | : 1765 rpm | Material selected | : Cast iron / 125 Class |
| Impeller diameter, rated | : 8.35 in | | |
| Impeller diameter, maximum | : 9.37 in | | |
| Impeller diameter, minimum | : 6.38 in | | |

| Performance | | Pressure Data | |
|--|-------------------------|------------------------------------|---------------|
| Efficiency | : 83.48 % | Maximum working pressure | : 32.27 psi.g |
| NPSH required / margin required | : 10.37 / 0.00 ft | Maximum allowable working pressure | : 175.0 psi.g |
| nq (imp. eye flow) / S (imp. eye flow) | : 39 / 171 Metric units | Maximum allowable suction pressure | : 130.0 psi.g |
| MCSF | : 75.98 USgpm | Hydrostatic test pressure | : 263.0 psi.g |
| Head, maximum, rated diameter | : 74.58 ft | | |
| Head rise to shutoff | : 27.31 % | | |

| Performance | | Driver & Power Data (@Max density) | |
|----------------------------------|-----------------------------|------------------------------------|-------------------------------|
| Flow, best eff. point | : 782.1 USgpm | Motor sizing specification | : Max power (non-overloading) |
| Flow ratio, rated / BEP | : 100.00 % | Margin over specification | : 0.00 % |
| Diameter ratio (rated / max) | : 89.08 % | Service factor | : 1.15 (used) |
| Head ratio (rated dia / max dia) | : 77.37 % | Power, hydraulic | : 11.57 hp |
| Cq/Ch/Ce/Cn [ANSI/HI 9.6.7-2010] | : 1.00 / 1.00 / 1.00 / 1.00 | Rated power (based on duty point) | : 13.85 hp |
| Selection status | : Acceptable | Max power (non-overloading) | : 14.68 hp |
| | | Nameplate motor rating | : 15.00 hp / 11.19 kW |

| Energy Indexes | |
|----------------|--------|
| PEI (CL) | : 0.94 |
| ER (CL) | : 6 |



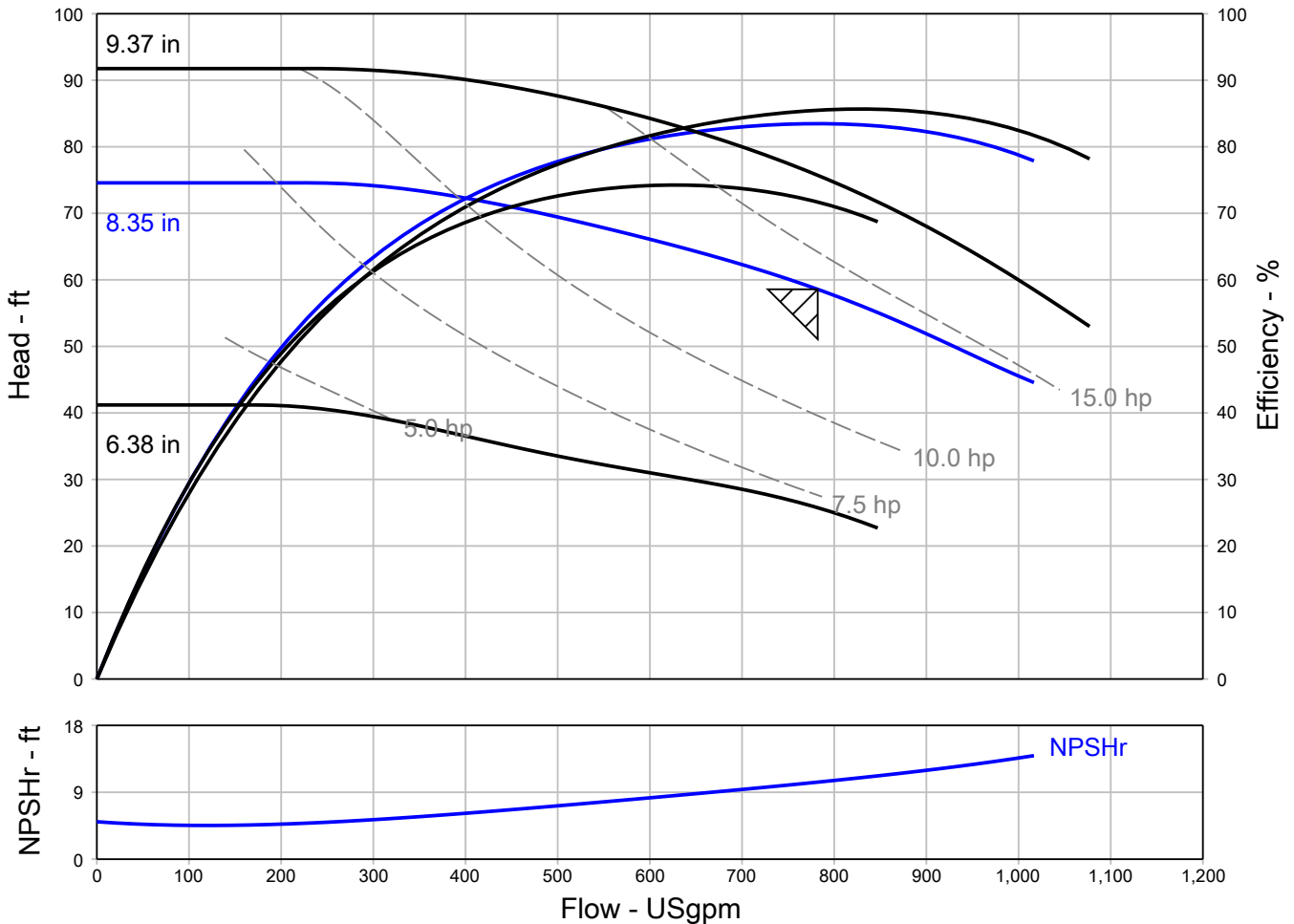
Grundfos Series NBS - Split Coupled End Suction Pump

| | | |
|-------------------------|--------------|------------|
| QUOTE NUMBER / ID 74718 | UNIT TAG 001 | QUANTITY 1 |
| REPRESENTATIVE | SERVICE | |
| ENGINEER | SUBMITTED BY | DATE |
| CONTRACTOR | APPROVED BY | DATE |
| | ORDER # | DATE |



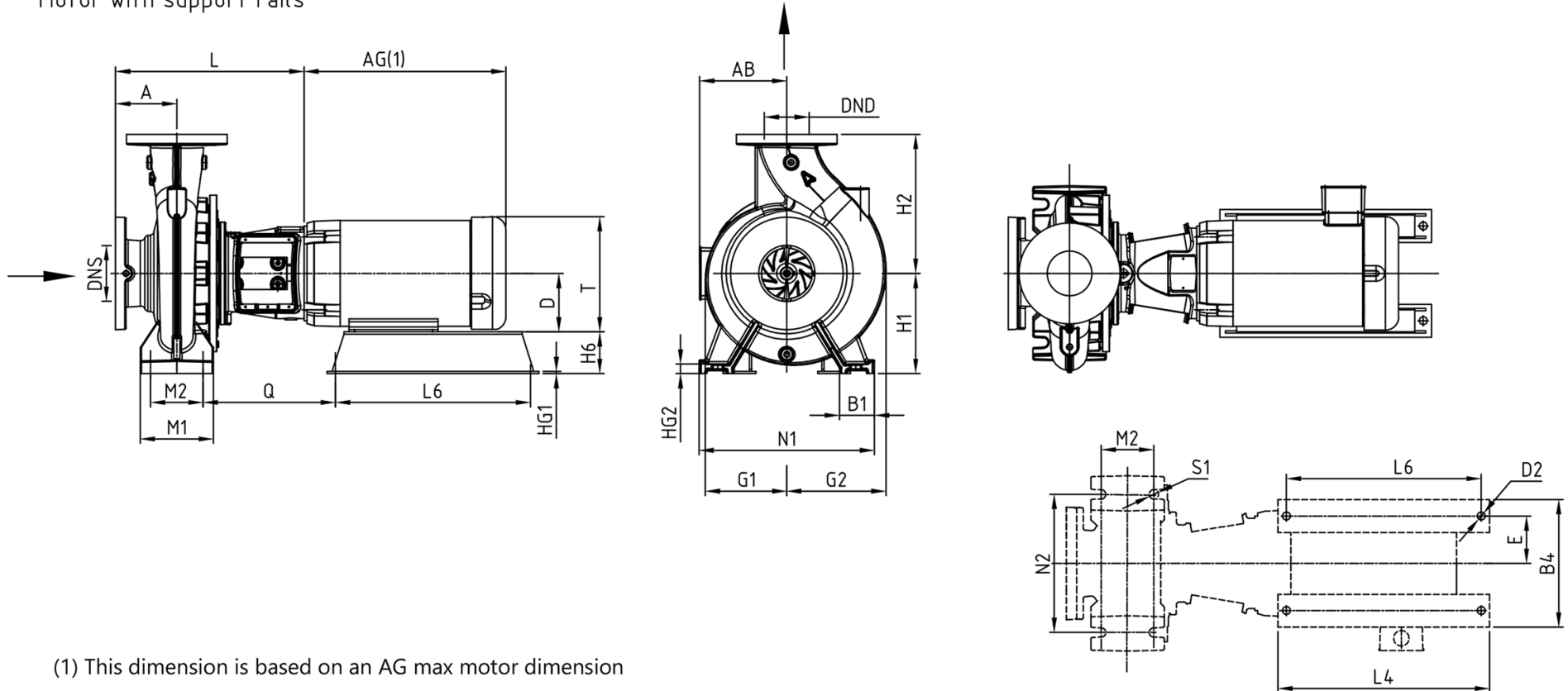
NBS 040-095-4P
1765 rpm

| Conditions of Service | | Pump Data | | Motor Data | |
|-----------------------|-------------|-------------------|---------|-----------------|-----------|
| Flow | 782.1 USgpm | Impeller Diameter | 8.35 in | Motor HP | 15 HP |
| Head | 58.58 ft | Max. Imp. Dia. | 9.37 in | BHP | 13.85 HP |
| Liquid | Cold Water | Min. Imp. Dia. | 6.38 in | Enclosure | ODP |
| Temperature | 68.00 deg F | Efficiency | 83.48 % | Voltage | 230/460 V |
| NPSHr | 10.37 ft | Suction | 5 in | Phase | 3 Phase |
| Viscosity | 1.00 cP | Discharge | 4 in | Cycle | 60 |
| Specific Gravity | 1.000 SG | PEI (CL) | 0.94 | Frame Size | 254TC |
| | | ER (CL) | 6 | Shaft Grounding | Include |



Grundfos Series NBS - Split Coupled End Suction Pump

Mounting design B
Centre-line outlet
Motor with support rails



(1) This dimension is based on an AG max motor dimension

NOT FOR CONSTRUCTION, unless certified and referenced on order

| Units | Frame | DNS | DND | Class | A | AB | AG | B1 | B4 | D | D2 | E | G1 | G2 | H1 | H2 | H6 | HG1 | HG2 | L | L4 | L6 | M1 | M2 | N1 | N2 | Q | S1 | T |
|--------|-------|-----|-----|-------|------|------|-------|------|-------|------|------|------|------|------|------|-------|------|------|------|-------|-------|-------|------|------|-------|-------|-------|------|-------|
| inches | 254TC | 5 | 4 | 125 | 5.50 | 9.63 | 21.53 | 3.15 | 12.95 | 6.25 | 0.69 | 5.00 | 7.11 | 8.91 | 9.00 | 11.00 | 2.75 | 0.20 | 0.98 | 17.80 | 20.50 | 19.00 | 6.30 | 4.72 | 15.75 | 12.40 | 12.55 | 0.83 | 12.88 |