

PROJECT: _____	UNIT TAG: _____	QUANTITY: _____
REPRESENTATIVE: _____	TYPE OF SERVICE: _____	DATE: _____
ENGINEER: _____	SUBMITTED BY: _____	DATE: _____
CONTRACTOR: _____	APPROVED BY: _____	DATE: _____
	ORDER NO.: _____	DATE: _____

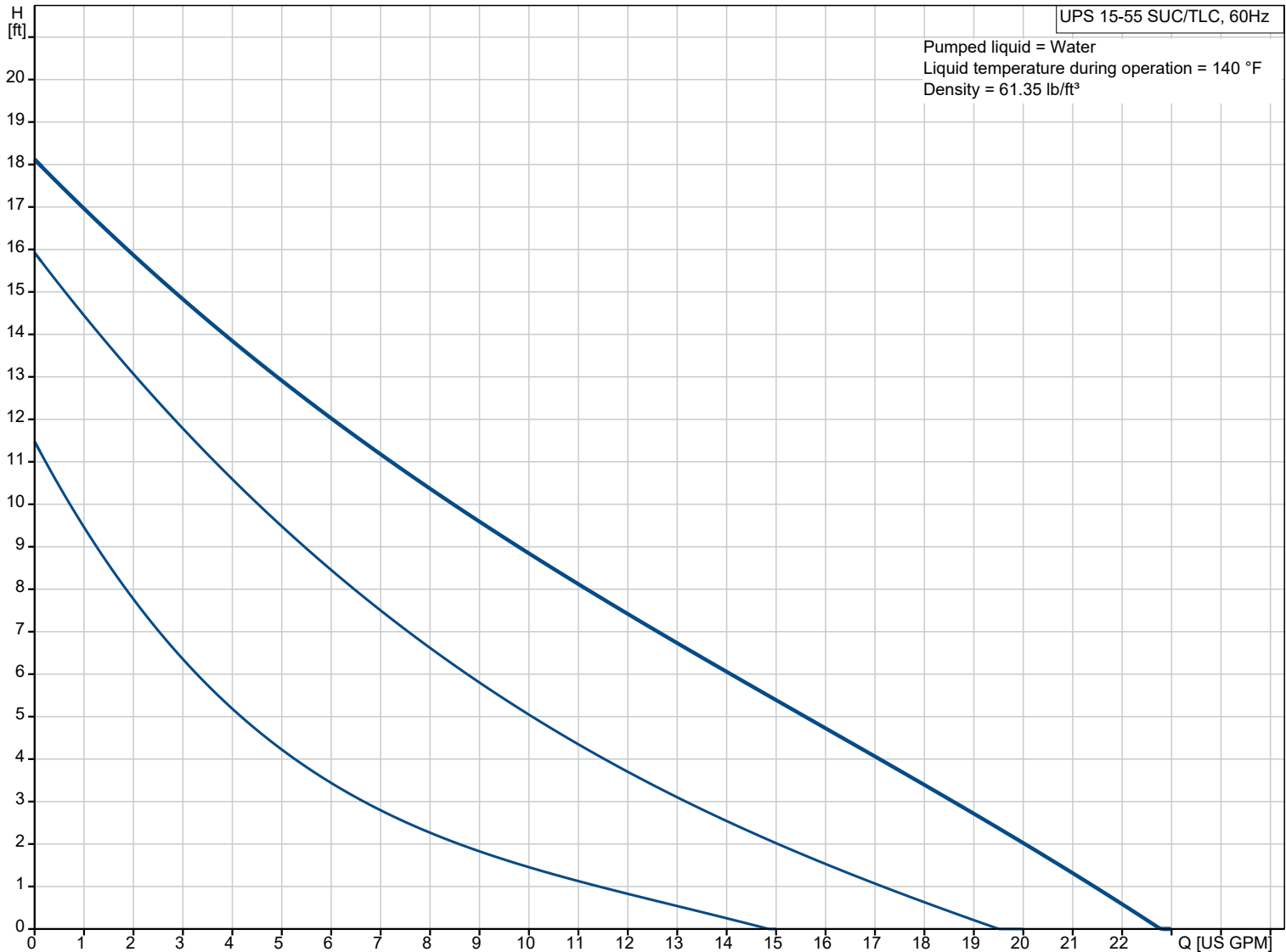


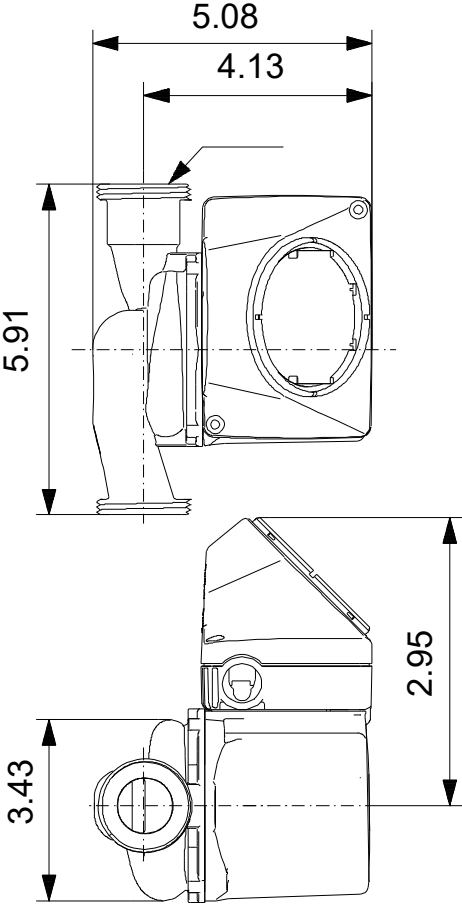
## UPS 15-55 SUC/TLC

UPS N is a three-speed circulator pump with a corrosion-free stainless-steel pump housing which is recommended for domestic hot-water recirculation and underfloor heating systems.

Note! Product picture may differ from actual product

Conditions of Service		Pump Data		Motor Data	
Efficiency:	%	Liquid temperature range:	35.6 .. 150.8 °F	Max. power input:	87 W
Liquid:	Water	Maximum ambient temperature:	104 °F	Mains frequency:	60 Hz
Temperature:	140 °F	Pipe connection:	1 1/4" NPSM	Thermal protection:	Impedance protected
NPSH required:	ft	Product number:	99452479		
Specific Gravity:	0.985				





**Materials:**  
Pump housing: Stainless steel  
Impeller: Composite



Company name: Hurley Engineering

Created by:

Phone:

Date: 09/03/2023

**Qty. | Description**

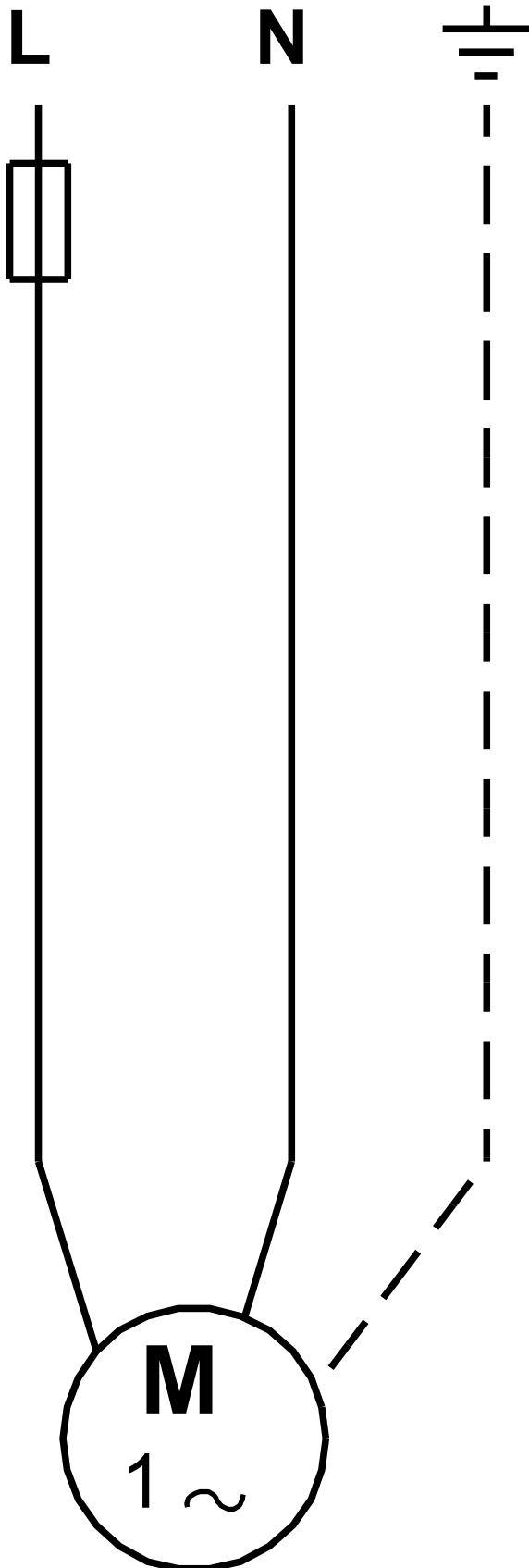
1 **UPS 15-55 SUC/TLC**  
Product No.: [99452479](#)

Grundfos UPS N circulator pumps have a corrosion-free stainless-steel pump housing and are recommended for domestic hot-water recirculation and underfloor heating systems. UPS N can be connected to an on/off time switch to limit pump operation to periods when hot water is usually required.

The pump is of the canned rotor type, i.e. pump and motor form an integral unit without shaft seal and with only two gaskets for sealing. The bearings are lubricated by the pumped liquid. The pump is characterized by:

- Ceramic shaft and radial bearings.  
Carbon axial bearing.  
Stainless steel rotor can and bearing plate.

## 99452479 UPS 15-55 SUC/TLC 60 Hz



Note! All units are in [in] unless others are stated.