

PROJECT: _____	UNIT TAG: _____	QUANTITY: _____
REPRESENTATIVE: _____	TYPE OF SERVICE: _____	DATE: _____
ENGINEER: _____	SUBMITTED BY: _____	DATE: _____
CONTRACTOR: _____	APPROVED BY: _____	DATE: _____
	ORDER NO.: _____	DATE: _____

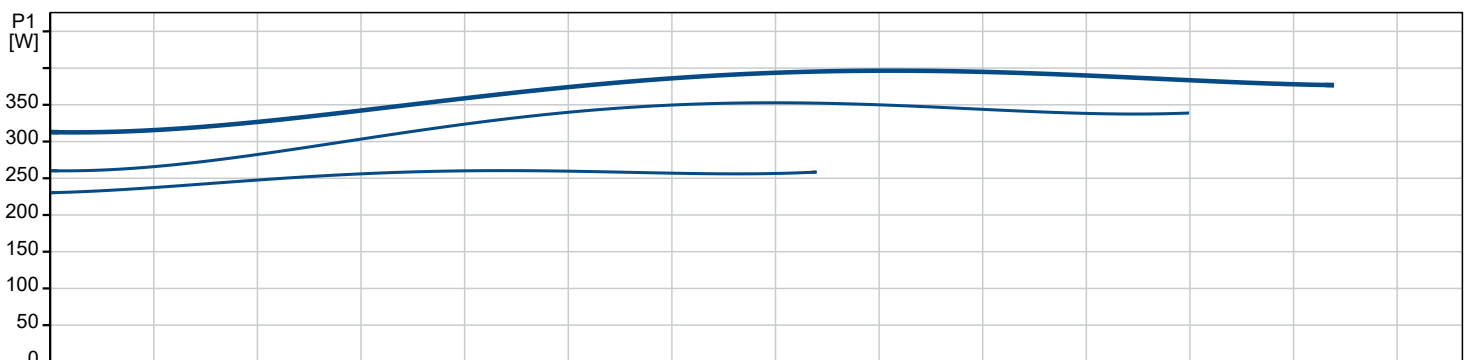
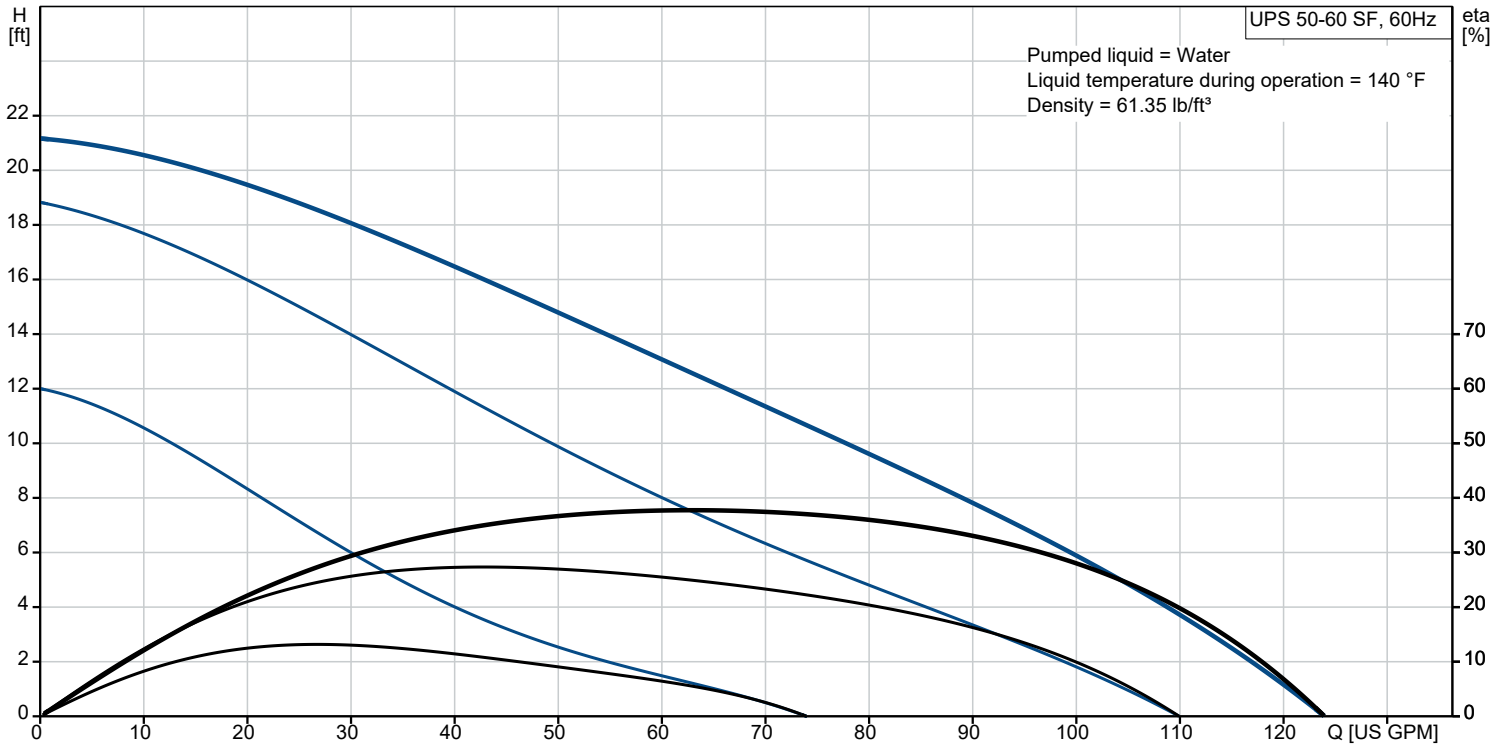
UPS 50-60 SF

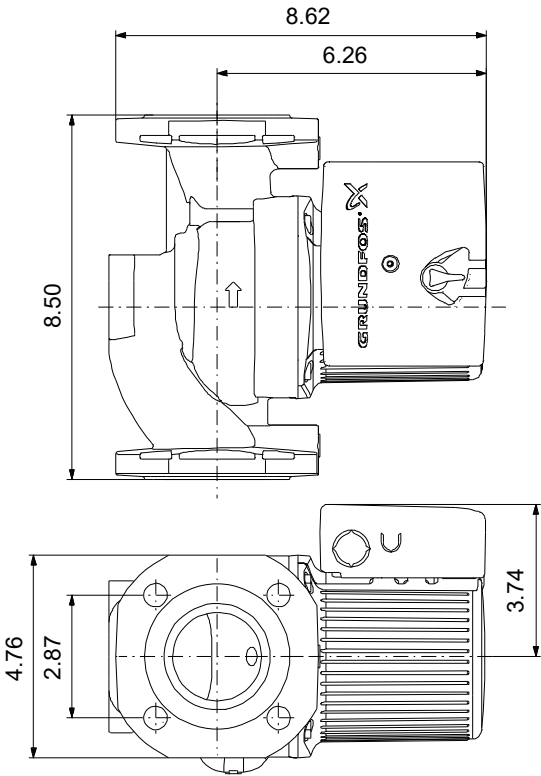


UPS B is a three-speed circulator pump with a corrosion-resistant bronze pump housing designed for hot-water recirculation. The pump provides reliable and maintenance-free operation.

Note! Product picture may differ from actual product

Conditions of Service		Pump Data		Motor Data	
Efficiency:	%	Liquid temperature range:	35.6 .. 230 °F	Max. power input:	395 W
Liquid:	Water	Maximum ambient temperature:	104 °F	Mains frequency:	60 Hz
Temperature:	140 °F	Type of connection:	S.S. Flange	Thermal protection:	internal
NPSH required:	ft	Pipe connection:	4 - Bolt Flange		
Specific Gravity:	0.985	Product number:	97523137		





- Materials:**
Pump housing: Stainless steel
Pump housing: ASTM A351-CF8
Impeller: Composite

Qty.	Description
1	<p data-bbox="119 253 1560 324">UPS 50-60 SF Product No.: 97523137</p> <p data-bbox="119 380 1560 459">Grundfos UPS N circulator pumps have a corrosion-free stainless-steel pump housing and are recommended for domestic hot-water recirculation and underfloor heating systems. UPS N can be connected to an on/off time switch to limit pump operation to periods when hot water is usually required.</p> <p data-bbox="119 470 1560 526">The pump is of the canned rotor type, i.e. pump and motor form an integral unit without shaft seal and with only two gaskets for sealing. The bearings are lubricated by the pumped liquid. The pump is characterized by:</p> <ul data-bbox="119 526 1560 616" style="list-style-type: none"><li data-bbox="119 526 1560 616">• Ceramic shaft and radial bearings. Carbon axial bearing. Stainless steel rotor can and bearing plate.