

PROJECT: _____	UNIT TAG: _____	QUANTITY: _____
REPRESENTATIVE: _____	TYPE OF SERVICE: _____	DATE: _____
ENGINEER: _____	SUBMITTED BY: _____	DATE: _____
CONTRACTOR: _____	APPROVED BY: _____	DATE: _____
	ORDER NO.: _____	DATE: _____

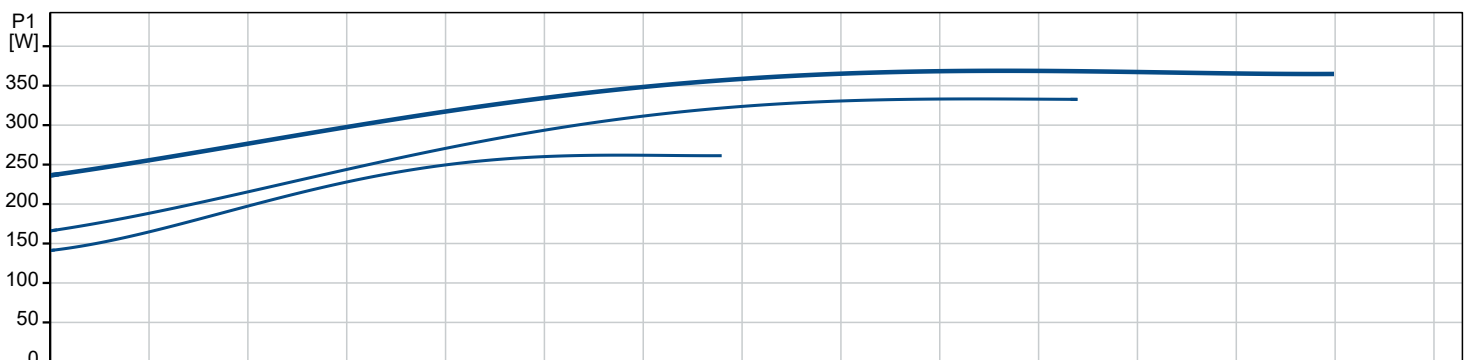
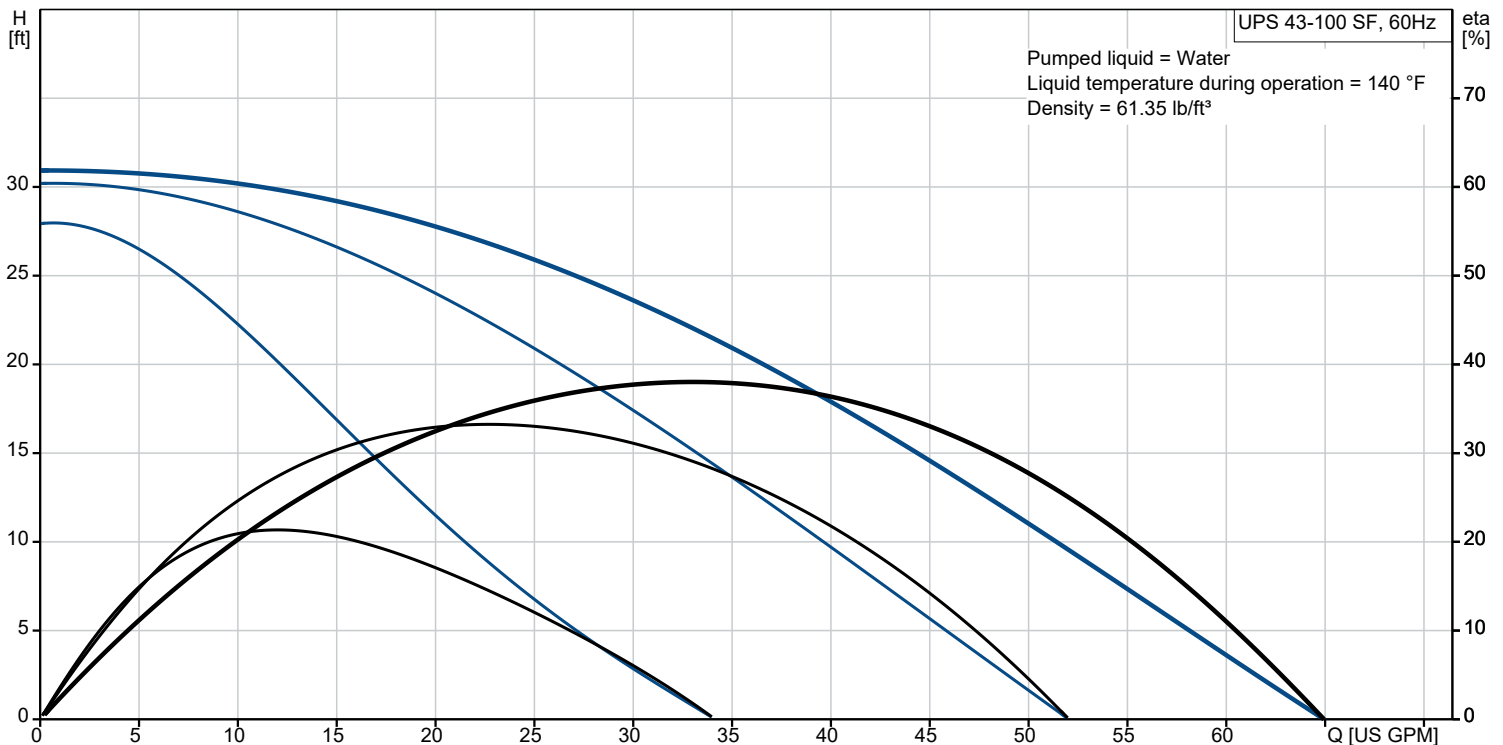


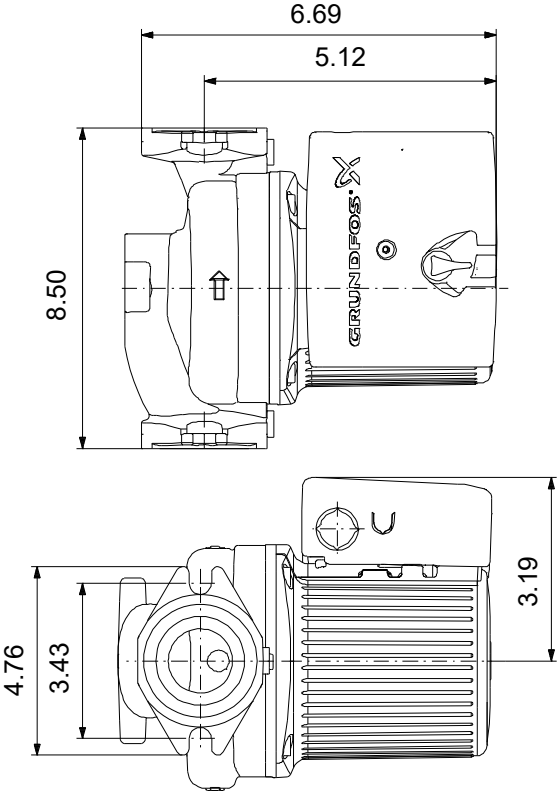
UPS 43-100 SF

UPS B is a three-speed circulator pump with a corrosion-resistant bronze pump housing designed for hot-water recirculation. The pump provides reliable and maintenance-free operation.

Note! Product picture may differ from actual product

Conditions of Service		Pump Data		Motor Data	
Efficiency:	%	Liquid temperature range:	35.6 .. 230 °F	Max. power input:	370 W
Liquid:	Water	Maximum ambient temperature:	104 °F	Mains frequency:	60 Hz
Temperature:	140 °F	Type of connection:	S.S. Flange	Thermal protection:	internal
NPSH required:	ft	Pipe connection:	2-BOLT FLANGE		
Specific Gravity:	0.985	Product number:	95906639		





Materials:
Pump housing: Stainless steel
Pump housing: ASTM A351-CF8
Impeller: Composite



Company name: Hurley Engineering

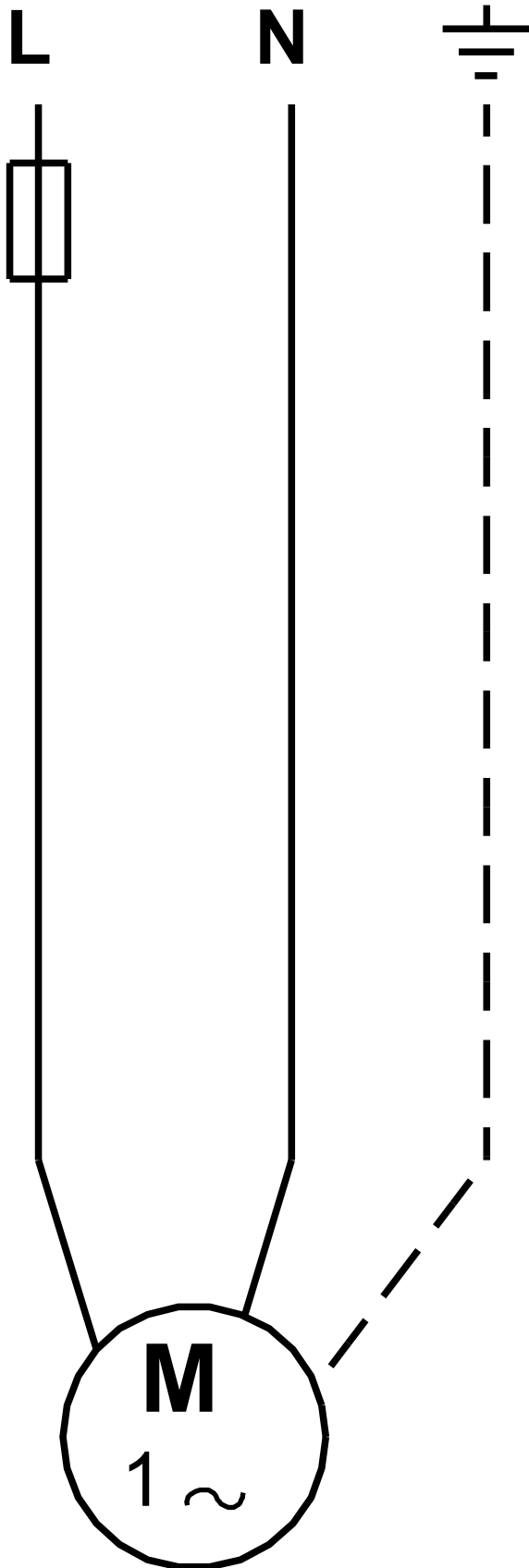
Created by:

Phone:

Date: 09/03/2023

Qty.	Description
1	<p data-bbox="119 253 1560 291">UPS 43-100 SF Product No.: 95906639</p> <p data-bbox="119 380 1560 459">Grundfos UPS B circulator pumps have a bronze pump housing for drinking water applications while Grundfos UP N have a stainless-steel pump housing. Both variants are recommended for underfloor heating systems as the pumped liquid may often become aerated, causing corrosion in cast iron pump housings.</p> <p data-bbox="119 470 1560 526">The pump is of the canned rotor type, i.e. pump and motor form an integral unit without shaft seal and with only two gaskets for sealing. The bearings are lubricated by the pumped liquid. The pump is characterized by:</p> <ul data-bbox="119 526 1560 616" style="list-style-type: none"><li data-bbox="119 526 1560 560">• Ceramic shaft and radial bearings.<li data-bbox="119 560 1560 593">Carbon axial bearing.<li data-bbox="119 593 1560 616">Stainless steel rotor can and bearing plate.

95906639 UPS 43-100 SF 60 Hz



Note! All units are in [in] unless others are stated.