

PROJECT: _____	UNIT TAG: _____	QUANTITY: _____
REPRESENTATIVE: _____	TYPE OF SERVICE: _____	DATE: _____
ENGINEER: _____	SUBMITTED BY: _____	DATE: _____
CONTRACTOR: _____	APPROVED BY: _____	DATE: _____
	ORDER NO.: _____	DATE: _____

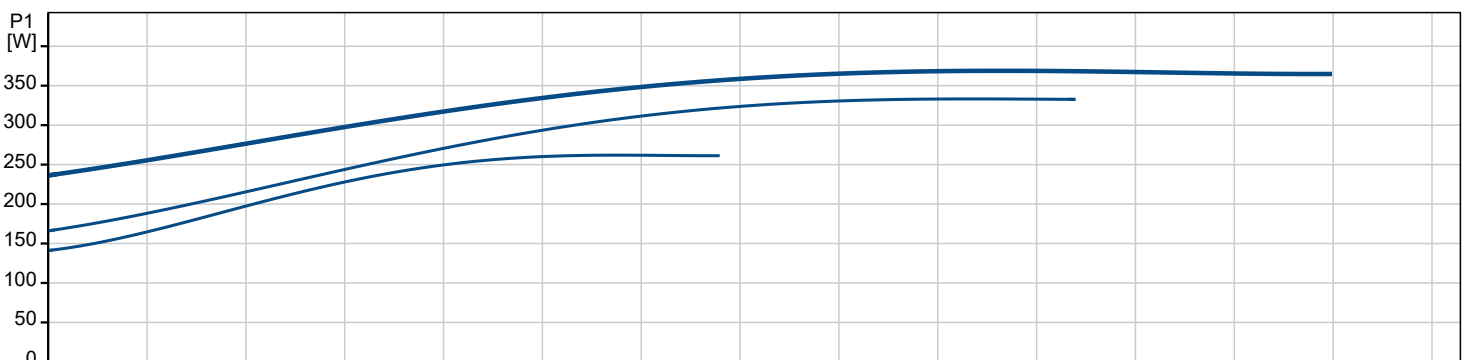
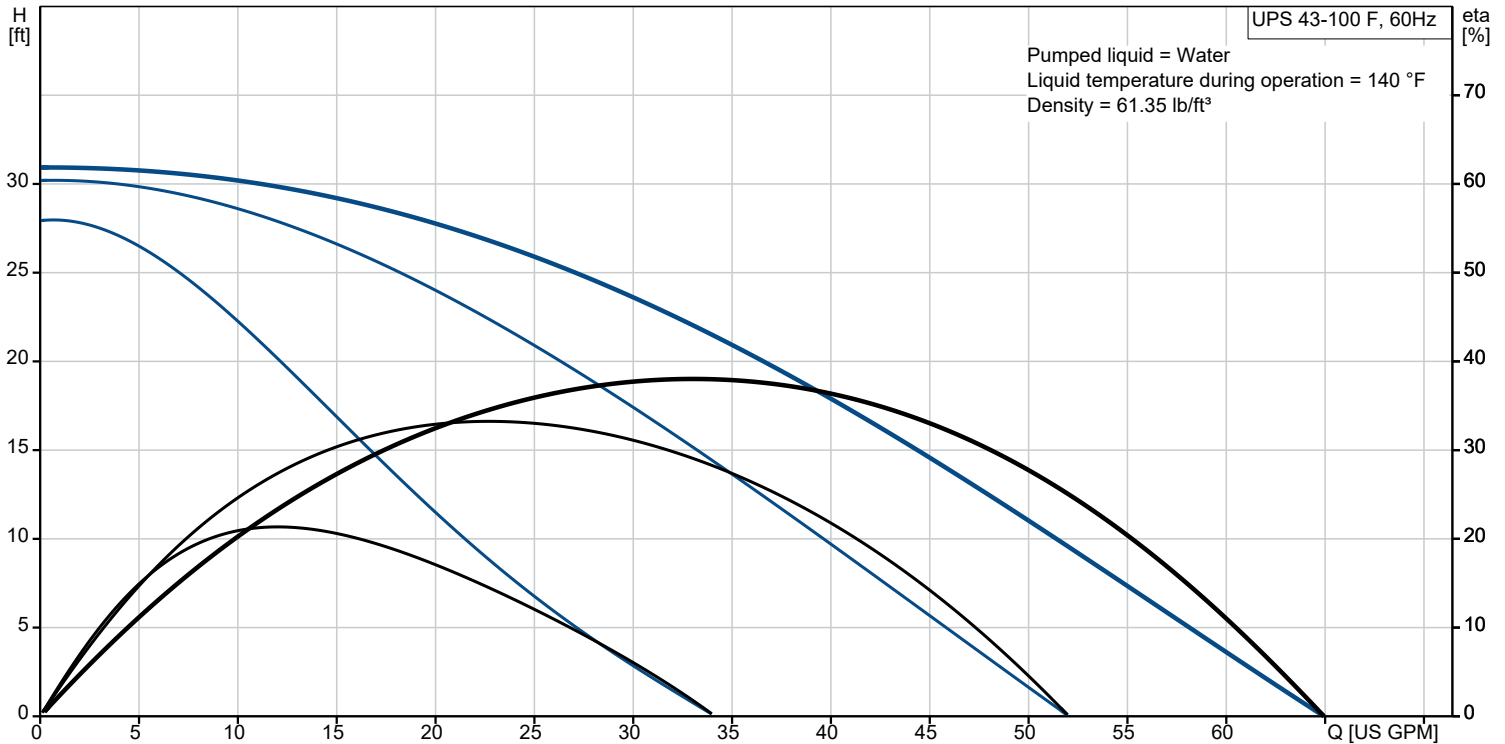


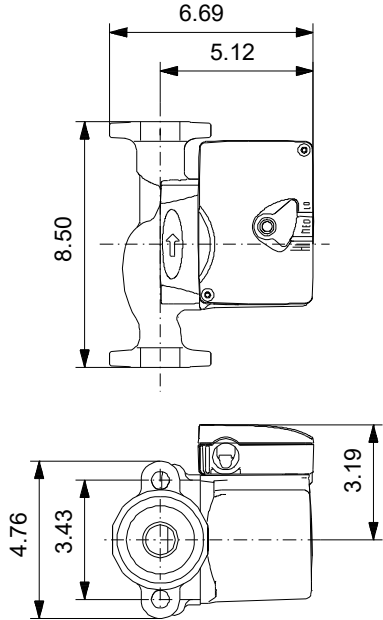
UPS 43-100 F

UPS is a three-speed circulator pump designed for heating and air-conditioning systems and is also used for central and district heating systems. The pump provides reliable and maintenance-free operation.

Note! Product picture may differ from actual product

Conditions of Service		Pump Data		Motor Data	
Efficiency:	%	Liquid temperature range:	35.6 .. 230 °F	Max. power input:	370 W
Liquid:	Water	Maximum ambient temperature:	104 °F	Mains frequency:	60 Hz
Temperature:	140 °F	Type of connection:	C.I. Flange	Thermal protection:	internal
NPSH required:	ft	Pipe connection:	2-BOLT FLANGE		
Specific Gravity:	0.985	Product number:	95906636		





Materials:
Pump housing: Cast iron
Pump housing: ASTM A48-30B
Impeller: Composite

Qty.	Description
1	<p>UPS 43-100 F Product No.: 95906636 The pump is of the canned rotor type, i.e. pump and motor form an integral unit without shaft seal and with only two gaskets for sealing. The bearings are lubricatd by the pumped liquid. The pump has 3-step speed selector. The pump is characterized by:</p> <ul style="list-style-type: none"> * Stainless steel shaft. * Ceramic radial bearing system. * Carbon axial bearing. * Stainless steel rotor can and bearing plate. * Corrosion-resistant impeller, Composite. * Cast iron pump housing. <p>The motor is a 1-phase motor. No additional motor protection is required.</p> <p>Liquid: Pumped liquid: Water Liquid temperature range: 35.6 .. 230 °F Selected liquid temperature: 140 °F Density: 61.35 lb/ft³</p> <p>Technical: Rated flow: 32.5 US GPM Max flow: 65 US GPM Rated head: 22.33 ft Approvals: ETL, CSA</p> <p>Materials: Pump housing: Cast iron EN 1561 EN-GJL-200 ASTM A48-30B Impeller: Composite PES+30% GF</p> <p>Installation: Max. ambient: 104 °F Amb. max at 80 dgr C liquid: 176 °F Maximum operating pressure: 145.04 psi Type of connection: OVAL C.I. Flange Pipe connection: 2-BOLT FLANGE Pressure rating for connection: PN 10 Port-to-port length: 8 9/16 in</p> <p>Electrical data: Power input in speed 1: 0.3554 HP Power input in speed 2: 335 W Max. power input: 370 W Mains frequency: 60 Hz Rated voltage: 1 x 115 V Current in speed 1: 2.5 A Current in speed 2: 3.1 A Current in speed 3: 3.5 A Capacitor size - run: 40 µF/180 V Number of poles: 2 Insulation class (IEC 85): H Built-in motor protection: CONTACT</p> <p>Others: Terminal box position: 9H Net weight: 16.5 lb</p>



Company name: Hurley Engineering

Created by:

Phone:

Date: 09/03/2023

Qty.	Description
1	Gross weight: 17.9 lb