

PROJECT: _____	UNIT TAG: _____	QUANTITY: _____
REPRESENTATIVE: _____	TYPE OF SERVICE: _____	DATE: _____
ENGINEER: _____	SUBMITTED BY: _____	DATE: _____
CONTRACTOR: _____	APPROVED BY: _____	DATE: _____
	ORDER NO.: _____	DATE: _____

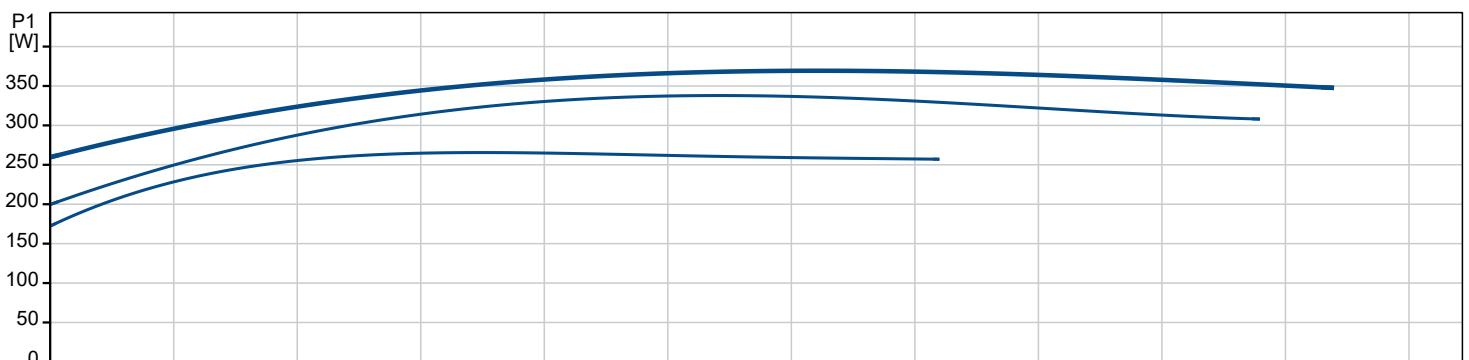
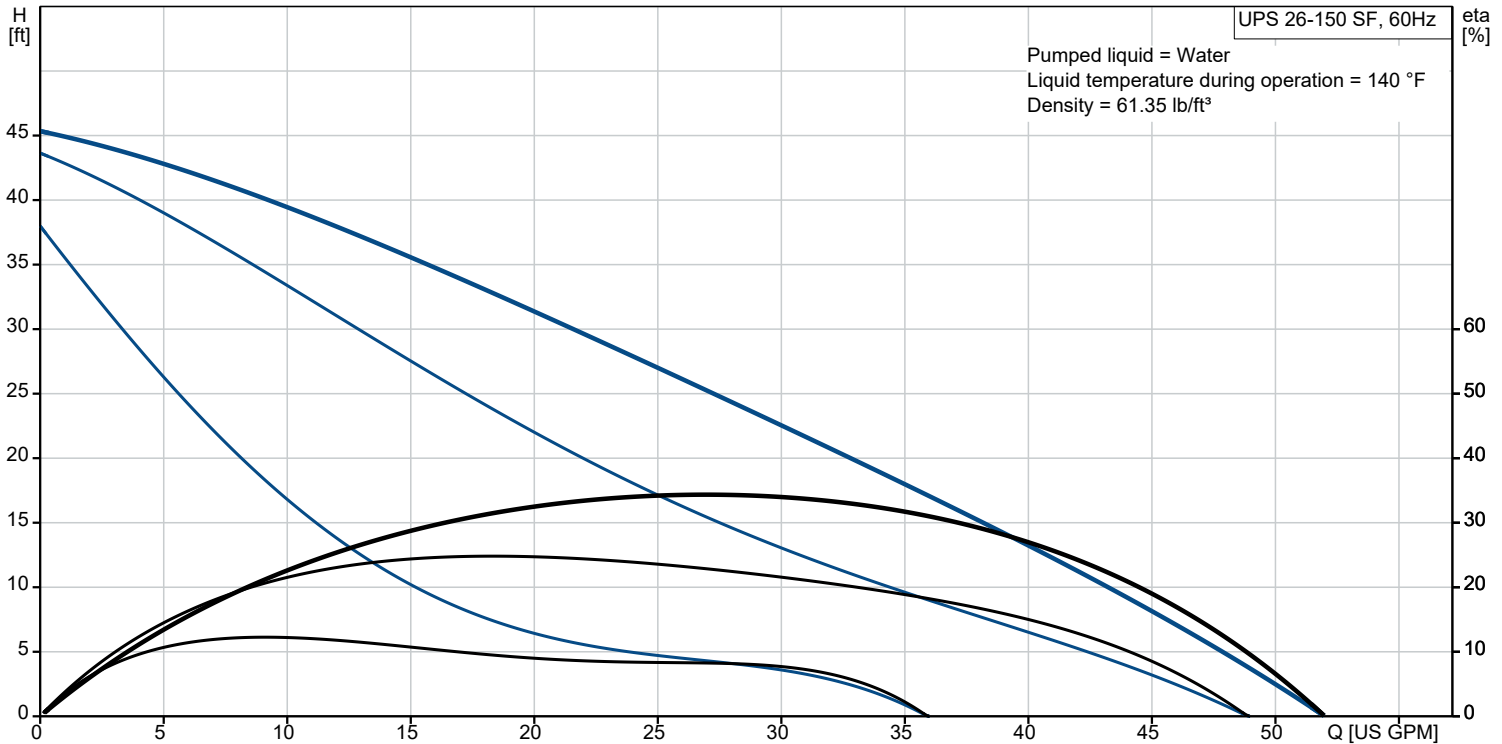
## UPS 26-150 SF

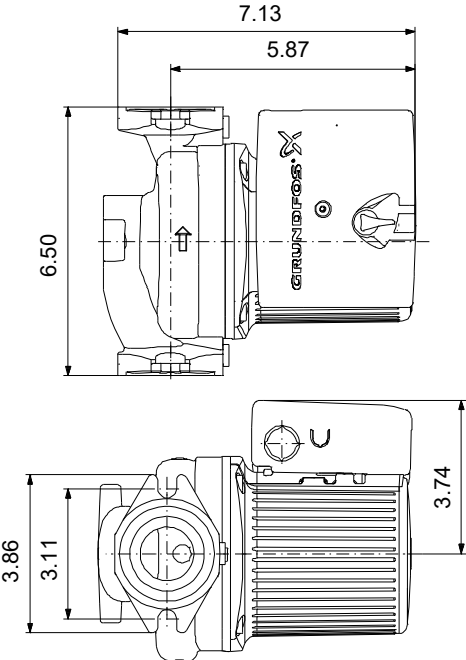


UPS N is a three-speed circulator pump with a corrosion-resistant stainless-steel pump housing designed for hot-water recirculation. The pump provides reliable and maintenance-free operation.

Note! Product picture may differ from actual product

Conditions of Service		Pump Data		Motor Data	
Efficiency:	%	Liquid temperature range:	35.6 .. 230 °F	Max. power input:	370 W
Liquid:	Water	Maximum ambient temperature:	104 °F	Mains frequency:	60 Hz
Temperature:	140 °F	Type of connection:	S.S. Flange	Thermal protection:	internal
NPSH required:	ft	Pipe connection:	2-BOLT FLANGE		
Specific Gravity:	0.985	Product number:	95906633		





**Materials:**  
Pump housing: Stainless steel  
Pump housing: ASTM A351-CF8  
Impeller: Composite



Company name: Hurley Engineering

Created by:

Phone:

Date: 09/03/2023

**Qty. | Description**

1 **UPS 26-150 SF**  
Product No.: [95906633](#)

Grundfos UPS N circulator pumps have a corrosion-free stainless-steel pump housing and are recommended for domestic hot-water recirculation and underfloor heating systems. UPS N can be connected to an on/off time switch to limit pump operation to periods when hot water is usually required.

The pump is of the canned rotor type, i.e. pump and motor form an integral unit without shaft seal and with only two gaskets for sealing. The bearings are lubricated by the pumped liquid. The pump is characterized by:

- Ceramic shaft and radial bearings.  
Carbon axial bearing.  
Stainless steel rotor can and bearing plate.