

PROJECT: _____	UNIT TAG: _____	QUANTITY: _____
REPRESENTATIVE: _____	TYPE OF SERVICE: _____	DATE: _____
ENGINEER: _____	SUBMITTED BY: _____	DATE: _____
CONTRACTOR: _____	APPROVED BY: _____	DATE: _____
	ORDER NO.: _____	DATE: _____

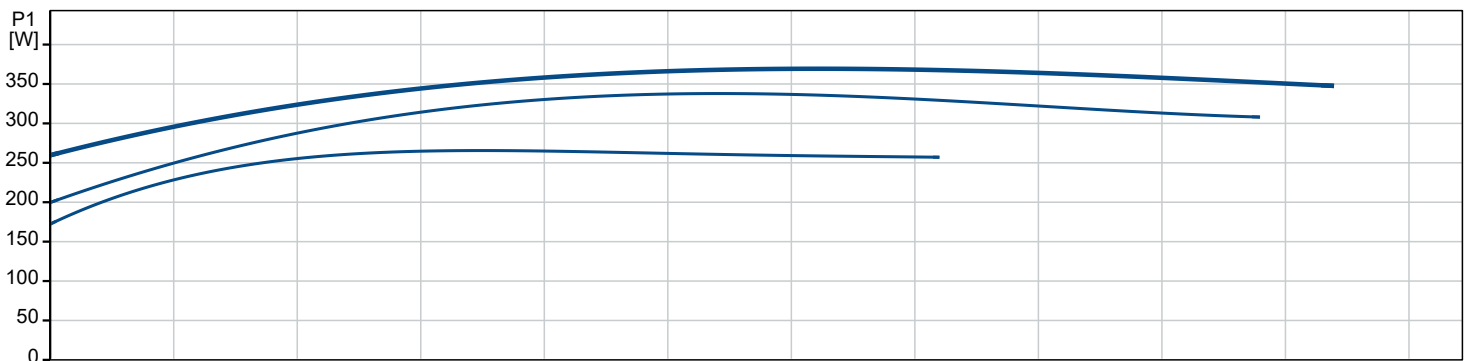
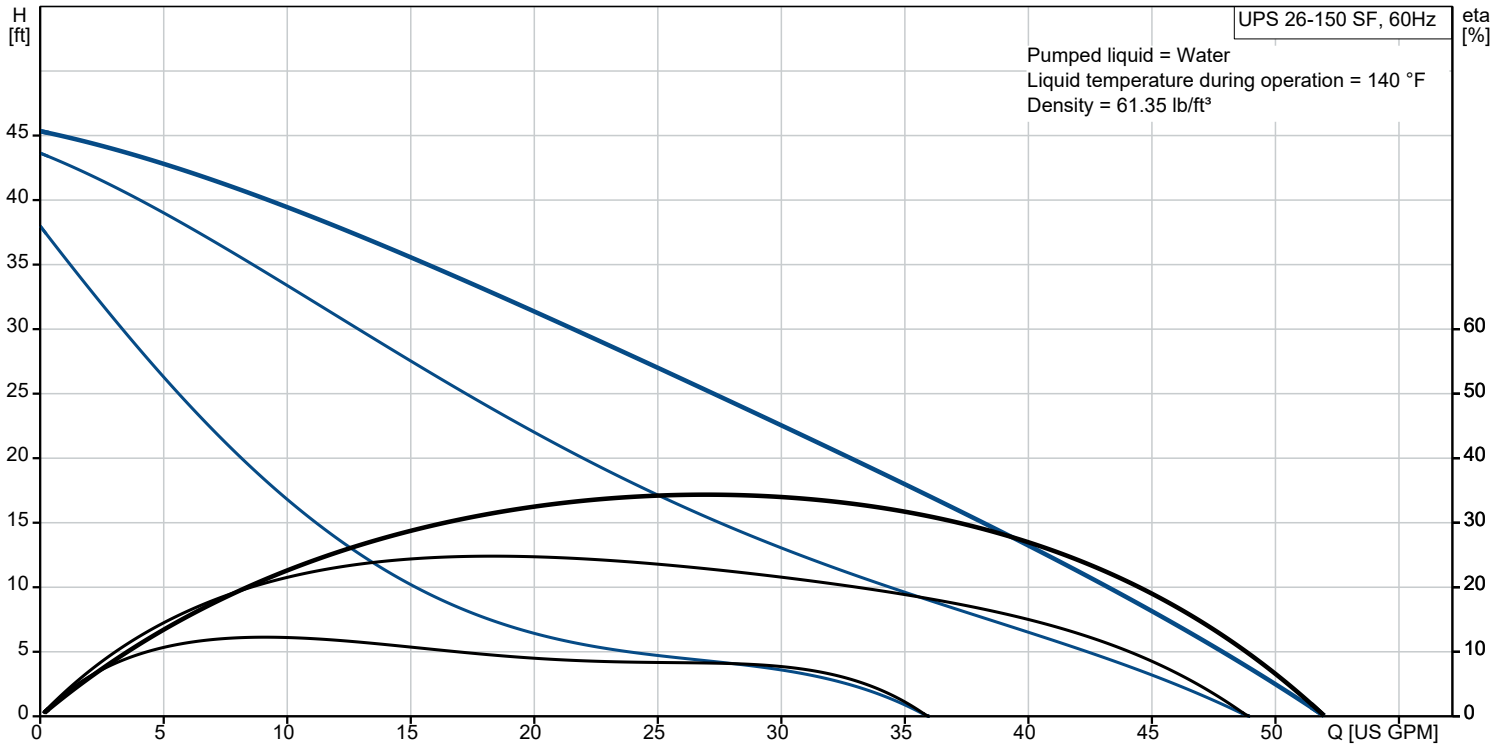
UPS 26-150 SF

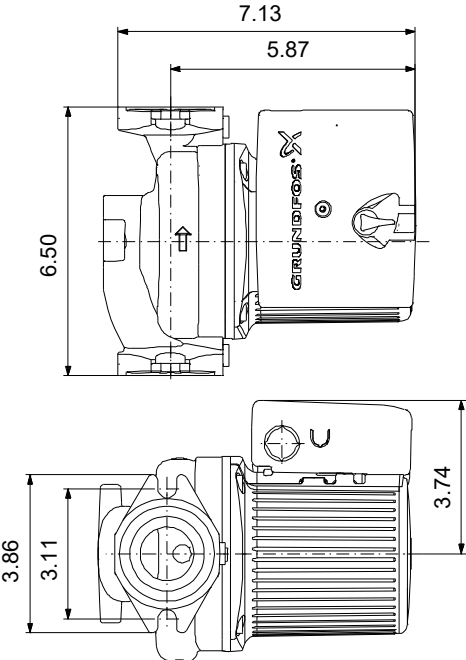


UPS N is a three-speed circulator pump with a corrosion-resistant stainless-steel pump housing designed for hot-water recirculation. The pump provides reliable and maintenance-free operation.

Note! Product picture may differ from actual product

Conditions of Service		Pump Data		Motor Data	
Liquid:	Water	Liquid temperature range:	35.6 .. 230 °F	Max. power input:	370 W
Temperature:	140 °F	Maximum ambient temperature:	104 °F	Mains frequency:	60 Hz
Specific Gravity:	0.985	Type of connection:	S.S. Flange	Thermal protection:	internal
		Pipe connection:	2-BOLT FLANGE		
		Product number:	95906632		





Materials:
Pump housing: Stainless steel
Pump housing: ASTM A351-CF8
Impeller: Composite

Qty.	Description
1	<p data-bbox="114 253 1551 324">UPS 26-150 SF Product No.: 95906632</p> <p data-bbox="114 380 1551 459">Grundfos UPS N circulator pumps have a corrosion-free stainless-steel pump housing and are recommended for domestic hot-water recirculation and underfloor heating systems. UPS N can be connected to an on/off time switch to limit pump operation to periods when hot water is usually required.</p> <p data-bbox="114 492 1551 548">The pump is of the canned rotor type, i.e. pump and motor form an integral unit without shaft seal and with only two gaskets for sealing. The bearings are lubricated by the pumped liquid. The pump is characterized by:</p> <ul data-bbox="114 548 1551 649" style="list-style-type: none"><li data-bbox="114 548 1551 582">• Ceramic shaft and radial bearings.<li data-bbox="114 582 1551 616">Carbon axial bearing.<li data-bbox="114 616 1551 649">Stainless steel rotor can and bearing plate.