

PROJECT: _____	UNIT TAG: _____	QUANTITY: _____
REPRESENTATIVE: _____	TYPE OF SERVICE: _____	DATE: _____
ENGINEER: _____	SUBMITTED BY: _____	DATE: _____
CONTRACTOR: _____	APPROVED BY: _____	DATE: _____
	ORDER NO.: _____	DATE: _____

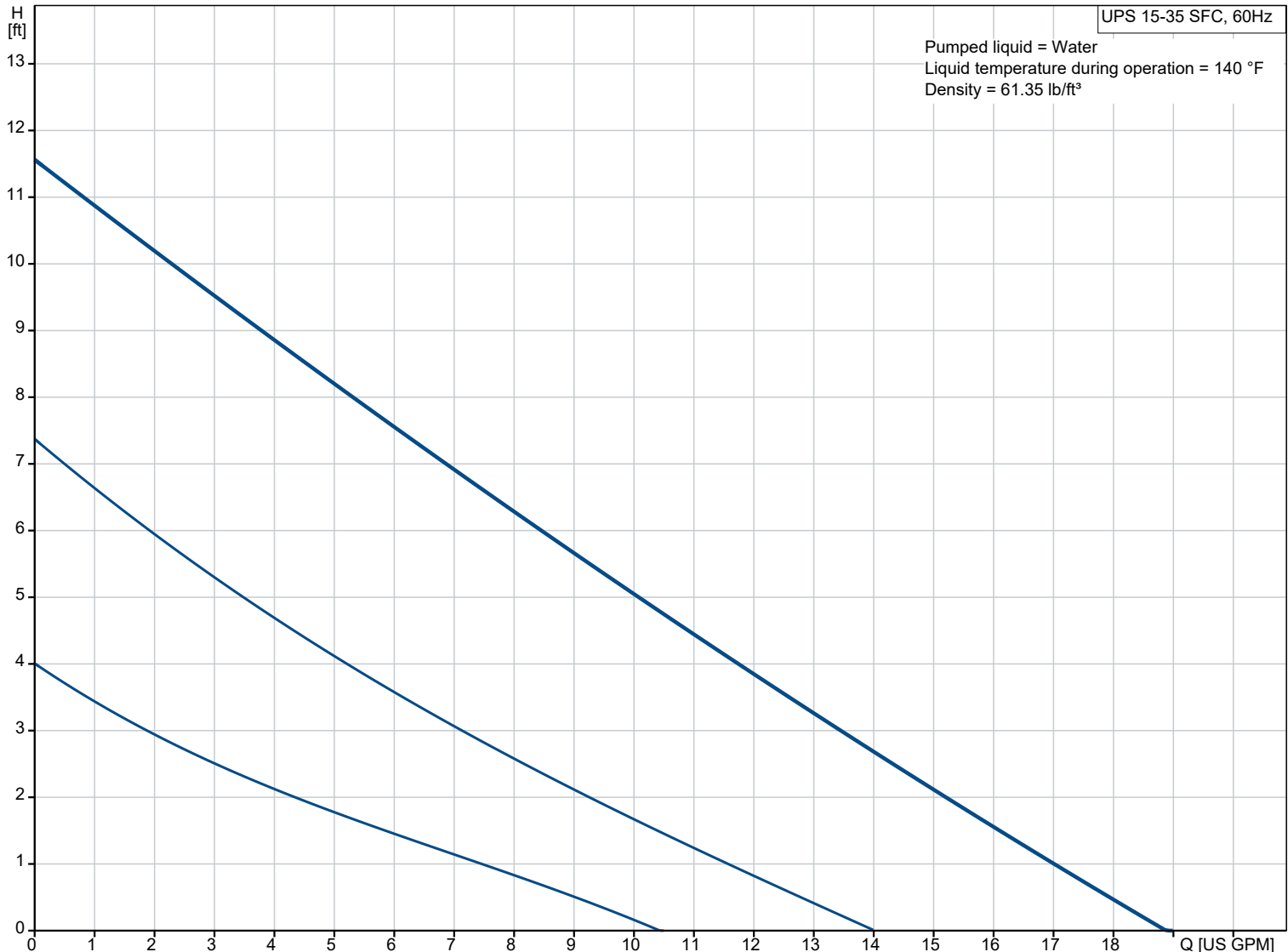


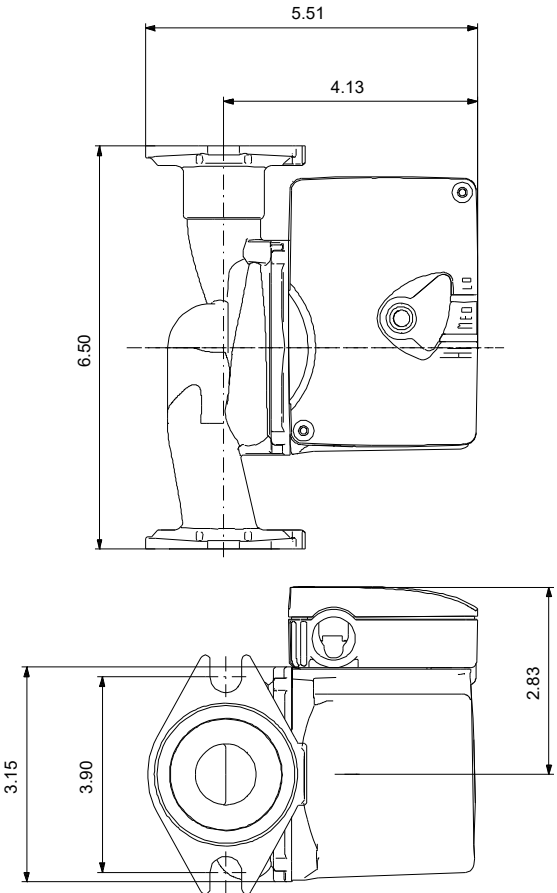
UPS 15-35 SFC

UPS N is a three-speed circulator pump with a corrosion-free stainless-steel pump housing which is recommended for domestic hot-water recirculation and underfloor heating systems.

Note! Product picture may differ from actual product

Conditions of Service		Pump Data		Motor Data	
Liquid:	Water	Liquid temperature range:	35.6 .. 165.2 °F	Max. power input:	110 W
Temperature:	140 °F	Maximum ambient temperature:	104 °F	Mains frequency:	60 Hz
Specific Gravity:	0.985	Type of connection:	S.S. Flange	Thermal protection:	Impedance protected
		Pipe connection:	2-BOLT FLANGE		
		Product number:	59896772		





Materials:
Pump housing: Stainless steel
Pump housing: AISI 304
Impeller: Composite



Company name: Hurley Engineering

Created by:

Phone:

Date: 09/03/2023

Qty.	Description
1	<p data-bbox="119 253 1560 324">UPS 15-35 SFC Product No.: 59896772</p> <p data-bbox="119 380 1560 459">Grundfos UPS N circulator pumps have a corrosion-free stainless-steel pump housing and are recommended for domestic hot-water recirculation and underfloor heating systems. UPS N can be connected to an on/off time switch to limit pump operation to periods when hot water is usually required.</p> <p data-bbox="119 492 1560 548">The pump is of the canned rotor type, i.e. pump and motor form an integral unit without shaft seal and with only two gaskets for sealing. The bearings are lubricated by the pumped liquid. The pump is characterized by:</p> <ul data-bbox="119 548 1560 649" style="list-style-type: none"><li data-bbox="119 548 1560 582">• Ceramic shaft and radial bearings.<li data-bbox="119 582 1560 616">Carbon axial bearing.<li data-bbox="119 616 1560 649">Stainless steel rotor can and bearing plate.