

PROJECT: _____	UNIT TAG: _____	QUANTITY: _____
REPRESENTATIVE: _____	TYPE OF SERVICE: _____	DATE: _____
ENGINEER: _____	SUBMITTED BY: _____	DATE: _____
CONTRACTOR: _____	APPROVED BY: _____	DATE: _____
	ORDER NO.: _____	DATE: _____

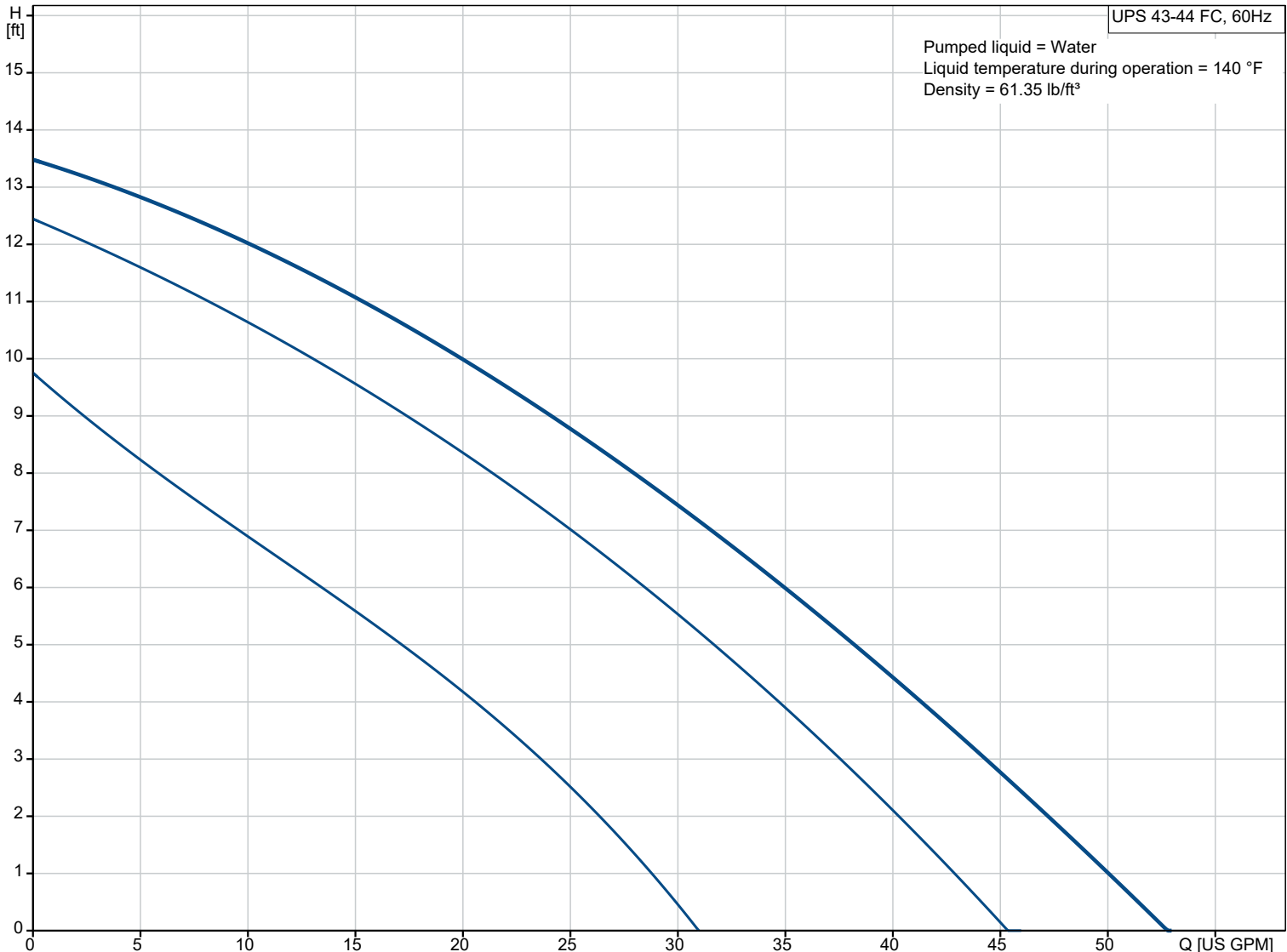


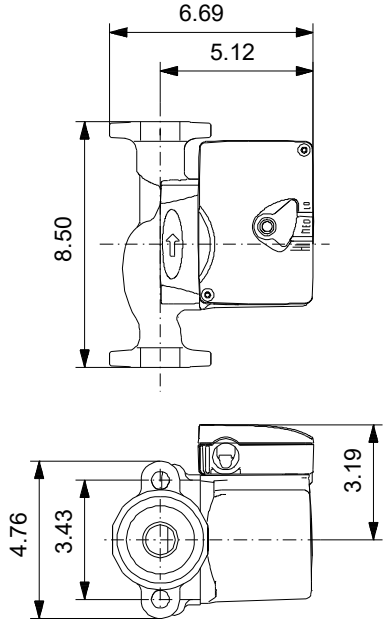
UPS 43-44 FC

UPS is a three-speed circulator pump designed for heating and air-conditioning systems and is also used for central and district heating systems. The pump provides reliable and maintenance-free operation.

Note! Product picture may differ from actual product

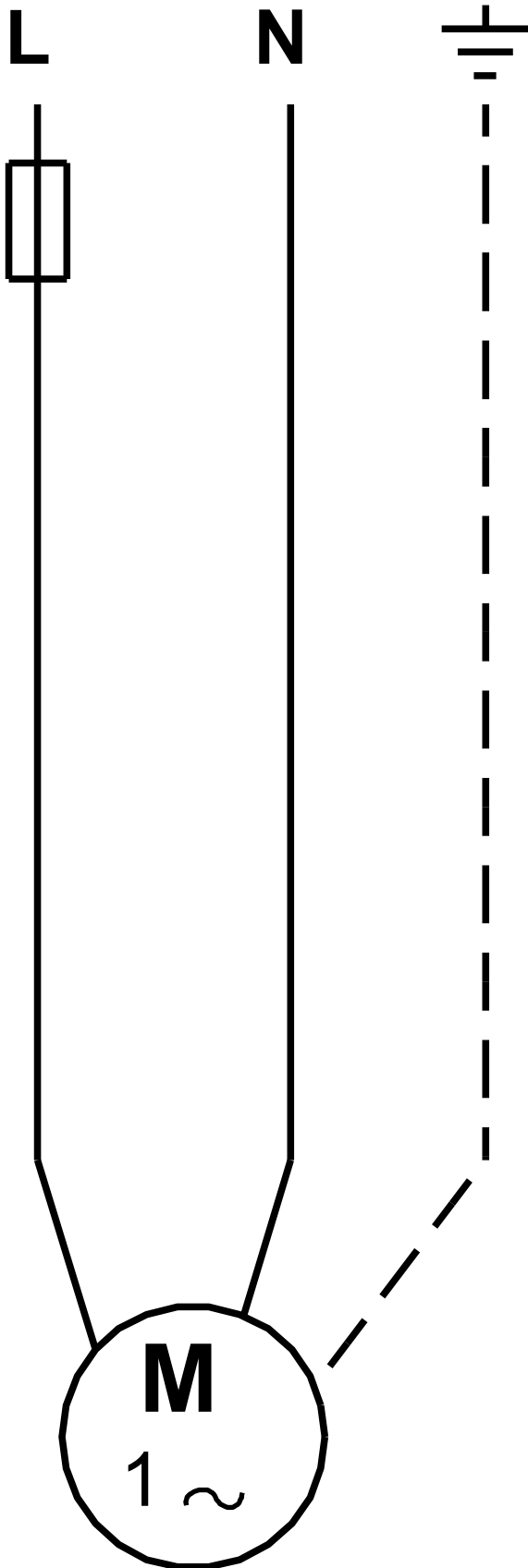
Conditions of Service		Pump Data		Motor Data	
Efficiency:	%	Liquid temperature range:	35.6 .. 230 °F	Max. power input:	203 W
Liquid:	Water	Maximum ambient temperature:	104 °F	Mains frequency:	60 Hz
Temperature:	140 °F	Type of connection:	C.I. Flange	Thermal protection:	internal
NPSH required:	ft	Pipe connection:	2-BOLT FLANGE		
Specific Gravity:	0.985	Product number:	52722514		





Materials:
Pump housing: Cast iron
Pump housing: ASTM A48-25B
Impeller: Composite

52722514 UPS 43-44 FC 60 Hz



Note! All units are in [in] unless others are stated.