

PROJECT: _____	UNIT TAG: _____	QUANTITY: _____
REPRESENTATIVE: _____	TYPE OF SERVICE: _____	DATE: _____
ENGINEER: _____	SUBMITTED BY: _____	DATE: _____
CONTRACTOR: _____	APPROVED BY: _____	DATE: _____
	ORDER NO.: _____	DATE: _____

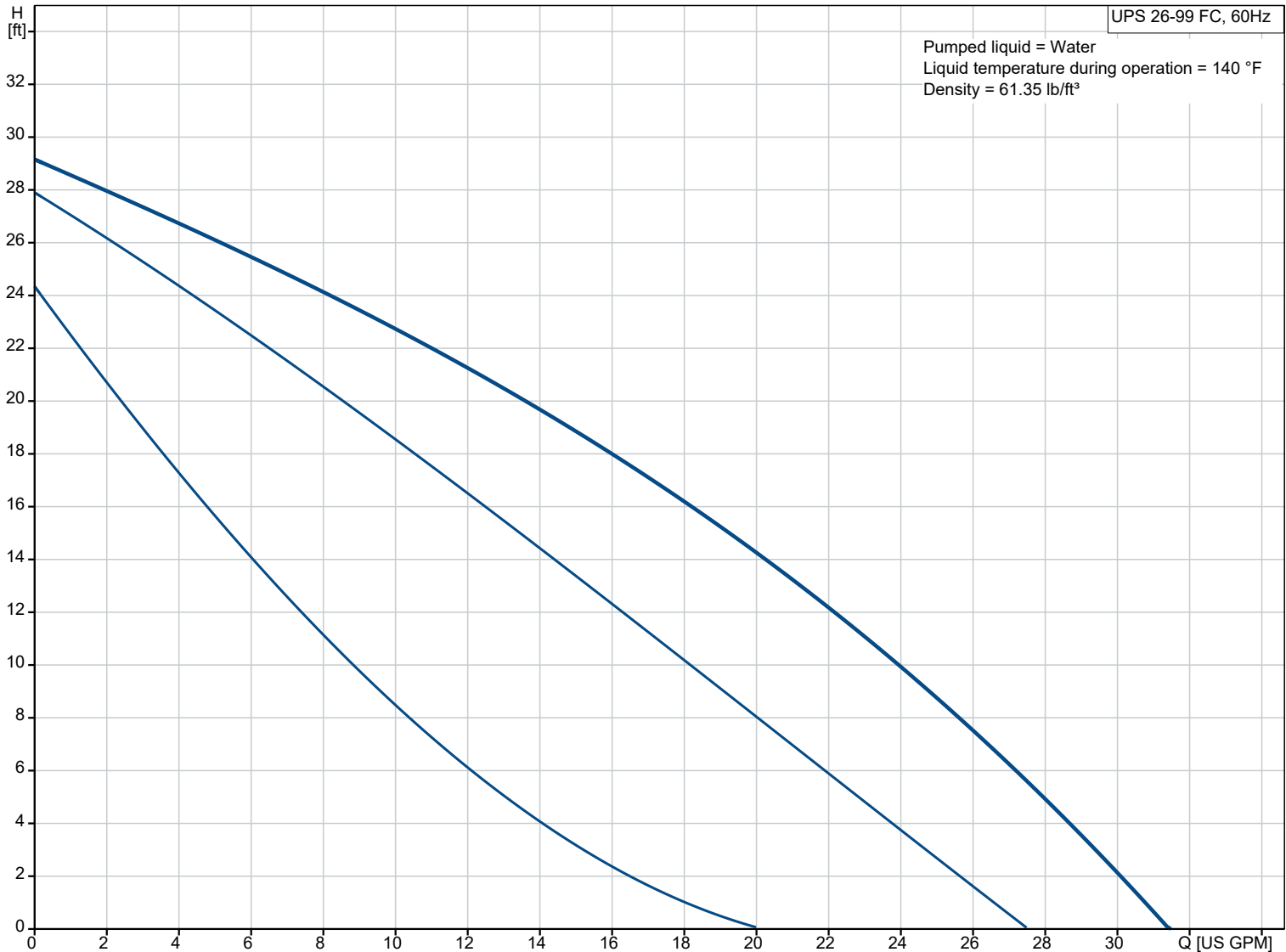


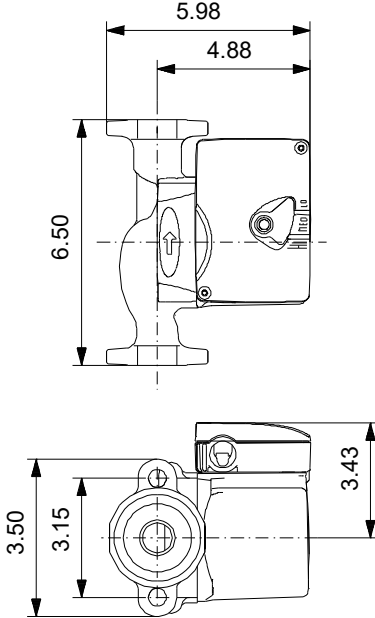
UPS 26-99 FC

UPS is a three-speed circulator pump designed for heating and air-conditioning systems and is also used for central and district heating systems. The pump provides reliable and maintenance-free operation.

Note! Product picture may differ from actual product

Conditions of Service		Pump Data		Motor Data	
Efficiency:	%	Liquid temperature range:	35.6 .. 230 °F	Max. power input:	196 W
Liquid:	Water	Maximum ambient temperature:	104 °F	Mains frequency:	60 Hz
Temperature:	140 °F	Pipe connection:	2-BOLT FLANGE	Thermal protection:	internal
NPSH required:	ft	Product number:	52722513		
Specific Gravity:	0.985				

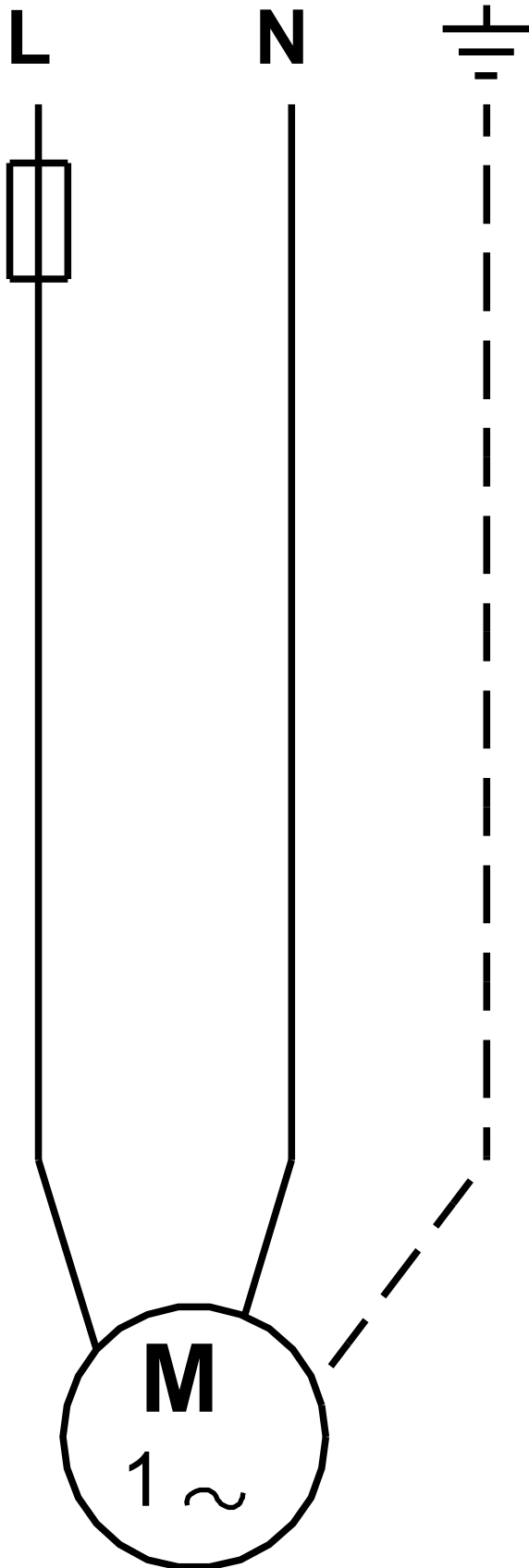




Materials:
Pump housing: Cast iron
Pump housing: ASTM A48-30B
Impeller: Composite

Qty.	Description
1	<p>UPS 26-99 FC Product No.: 52722513 The pump is of the canned rotor type, i.e. pump and motor form an integral unit without shaft seal and with only two gaskets for sealing. The bearings are lubricatd by the pumped liquid. The pump has 3-step speed selector. The pump is characterized by:</p> <ul style="list-style-type: none"> * Ceramic shaft and radial bearings. * Carbon axial bearing. * Stainless steel rotor can and bearing plate. * Corrosion-resistant impeller, Composite. * Cast iron pump housing. <p>The motor is a 1-phase motor. No additional motor protection is required.</p> <p>Liquid: Pumped liquid: Water Liquid temperature range: 35.6 .. 230 °F Selected liquid temperature: 140 °F Density: 61.35 lb/ft³</p> <p>Technical: Rated flow: 17.7 US GPM Max flow: 33 US GPM Rated head: 16.46 ft Approvals: CUL</p> <p>Materials: Pump housing: Cast iron EN 1561 EN-GJL-200 ASTM A48-30B Impeller: Composite PES+30% GF</p> <p>Installation: Max. ambient: 104 °F Amb. max at 80 dgr C liquid: 176 °F Maximum operating pressure: 145.04 psi Type of connection: OVAL Pipe connection: 2-BOLT FLANGE Pressure rating for connection: PN 10 Port-to-port length: 6 1/2 in</p> <p>Electrical data: Power input in speed 1: 0.2012 HP Power input in speed 2: 179 W Max. power input: 196 W Mains frequency: 60 Hz Rated voltage: 1 x 230 V Current in speed 1: 0.7 A Current in speed 2: 0.8 A Current in speed 3: 0.9 A Capacitor size - run: 5 µF/400 V Number of poles: 2 Insulation class (IEC 85): F Built-in motor protection: CONTACT</p> <p>Others: Terminal box position: 9H Net weight: 9.48 lb Gross weight: 10.2 lb</p>

52722513 UPS 26-99 FC 60 Hz



Note! All units are in [in] unless others are stated.