

PROJECT: _____	UNIT TAG: _____	QUANTITY: _____
REPRESENTATIVE: _____	TYPE OF SERVICE: _____	DATE: _____
ENGINEER: _____	SUBMITTED BY: _____	DATE: _____
CONTRACTOR: _____	APPROVED BY: _____	DATE: _____
	ORDER NO.: _____	DATE: _____

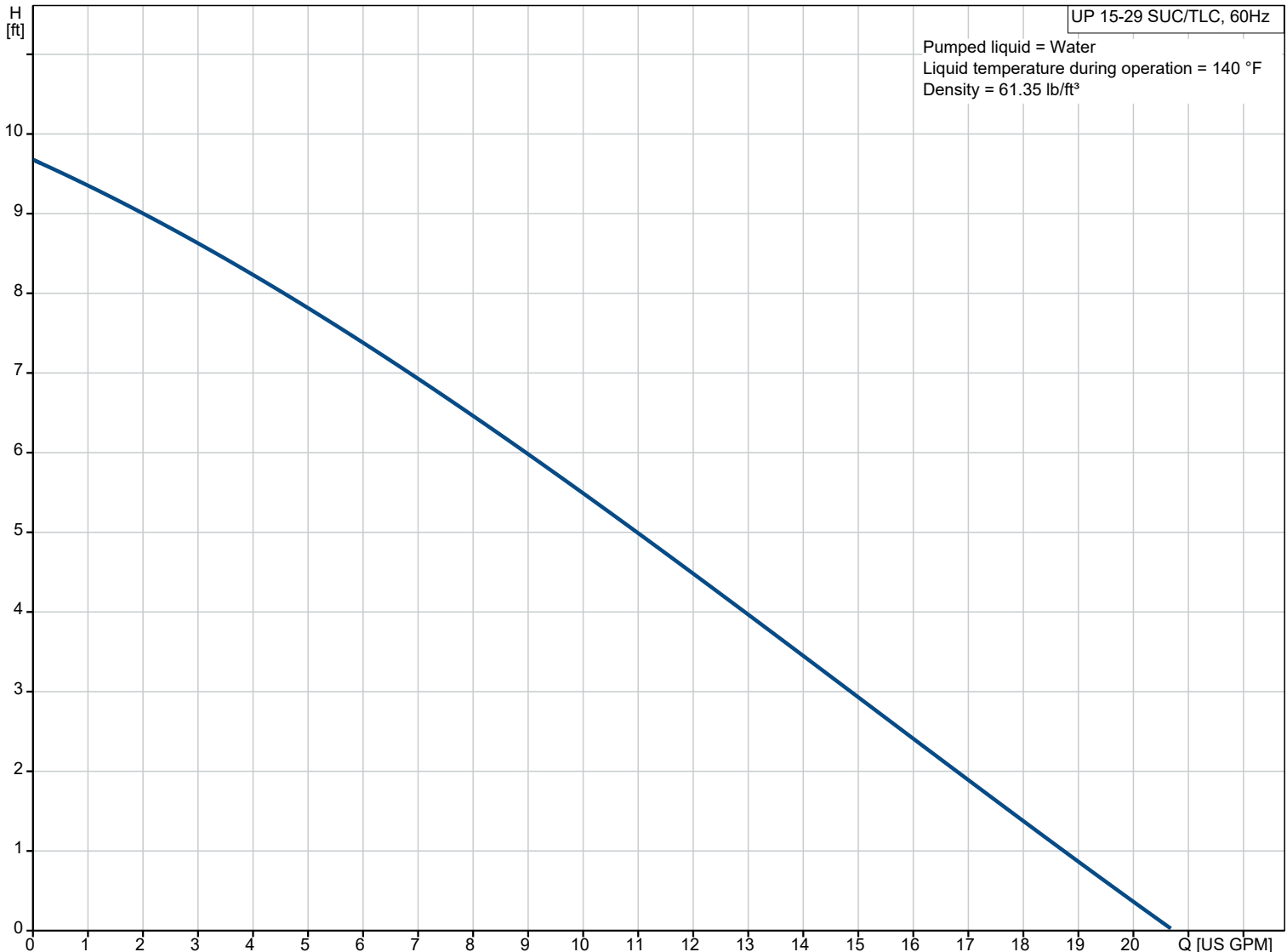


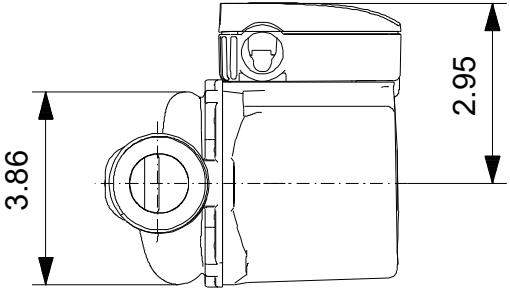
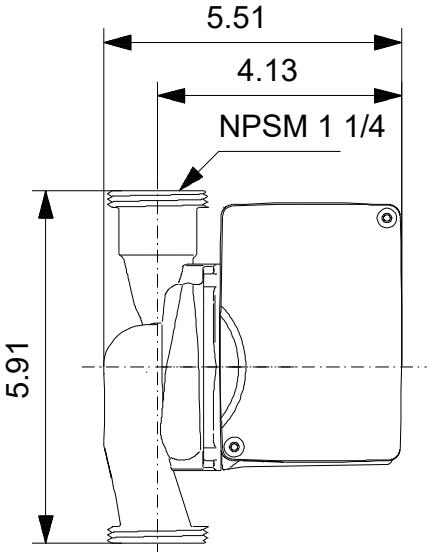
UP 15-29 SUC/TLC

UP B is a circulator pump with a bronze pump housing for drinking water applications, while Grundfos UP N has stainless-steel pump housing. Both variants are recommended for underfloor heating systems.

Note! Product picture may differ from actual product

Conditions of Service		Pump Data		Motor Data	
Liquid:	Water	Liquid temperature range:	35.6 .. 150.8 °F	Max. power input:	87 W
Temperature:	140 °F	Maximum ambient temperature:	104 °F	Mains frequency:	60 Hz
Specific Gravity:	0.985	Type of connection:	S.S. Union	Thermal protection:	Impedance protected
		Pipe connection:	1 1/4" NPSM		
		Product number:	99452462		





Materials:
Pump housing: Stainless steel
Pump housing: AISI 304
Impeller: Composite



Company name: Hurley Engineering

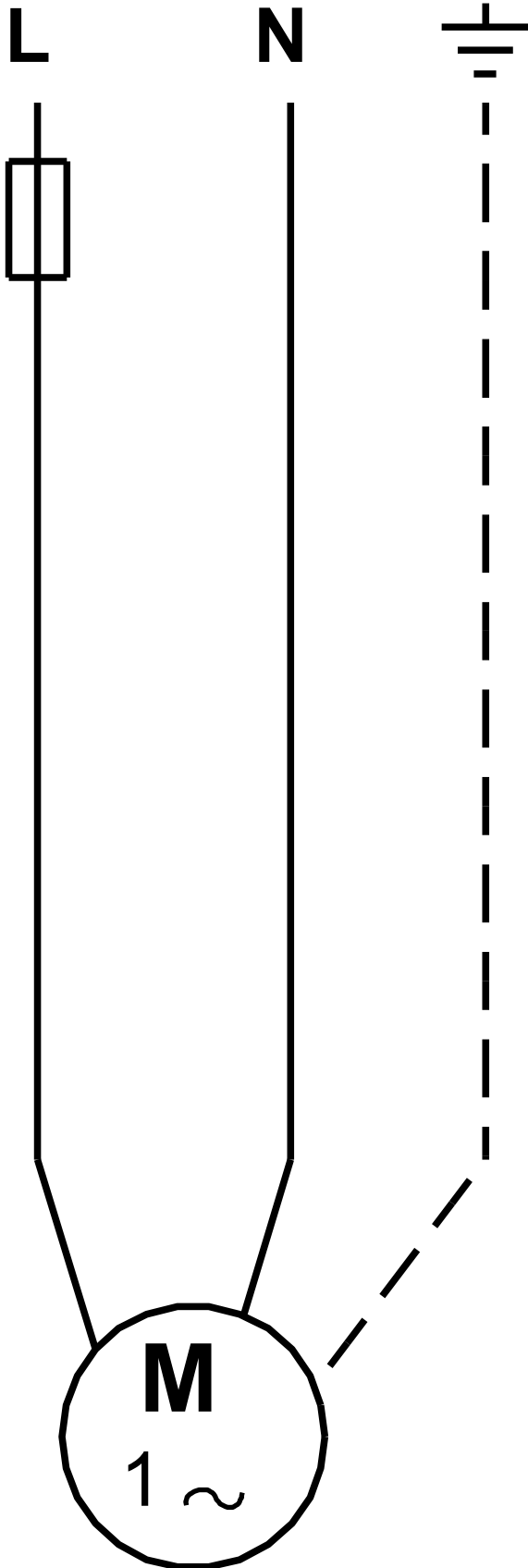
Created by:

Phone:

Date: 23/02/2023

Qty.	Description
1	<p data-bbox="119 253 399 324">UP 15-29 SUC/TLC Product No.: 99452462</p> <p data-bbox="119 380 1468 459">Grundfos UP B circulator pumps have a bronze pump housing for drinking water applications while Grundfos UP N have a stainless-steel pump housing. Both variants are recommended for underfloor heating systems as the pumped liquid may often become aerated, causing corrosion in cast iron pump housings.</p> <p data-bbox="119 492 1484 548">The pump is of the canned rotor type, i.e. pump and motor form an integral unit without shaft seal and with only two gaskets for sealing. The bearings are lubricated by the pumped liquid. The pump is characterized by:</p> <ul data-bbox="119 548 957 649" style="list-style-type: none">• Ceramic shaft and radial bearings. Carbon axial bearing. Stainless steel rotor can and bearing plate.

99452462 UP 15-29 SUC/TLC 60 Hz



Note! All units are in [in] unless others are stated.