

PROJECT: _____	UNIT TAG: _____	QUANTITY: _____
REPRESENTATIVE: _____	TYPE OF SERVICE: _____	DATE: _____
ENGINEER: _____	SUBMITTED BY: _____	DATE: _____
CONTRACTOR: _____	APPROVED BY: _____	DATE: _____
	ORDER NO.: _____	DATE: _____

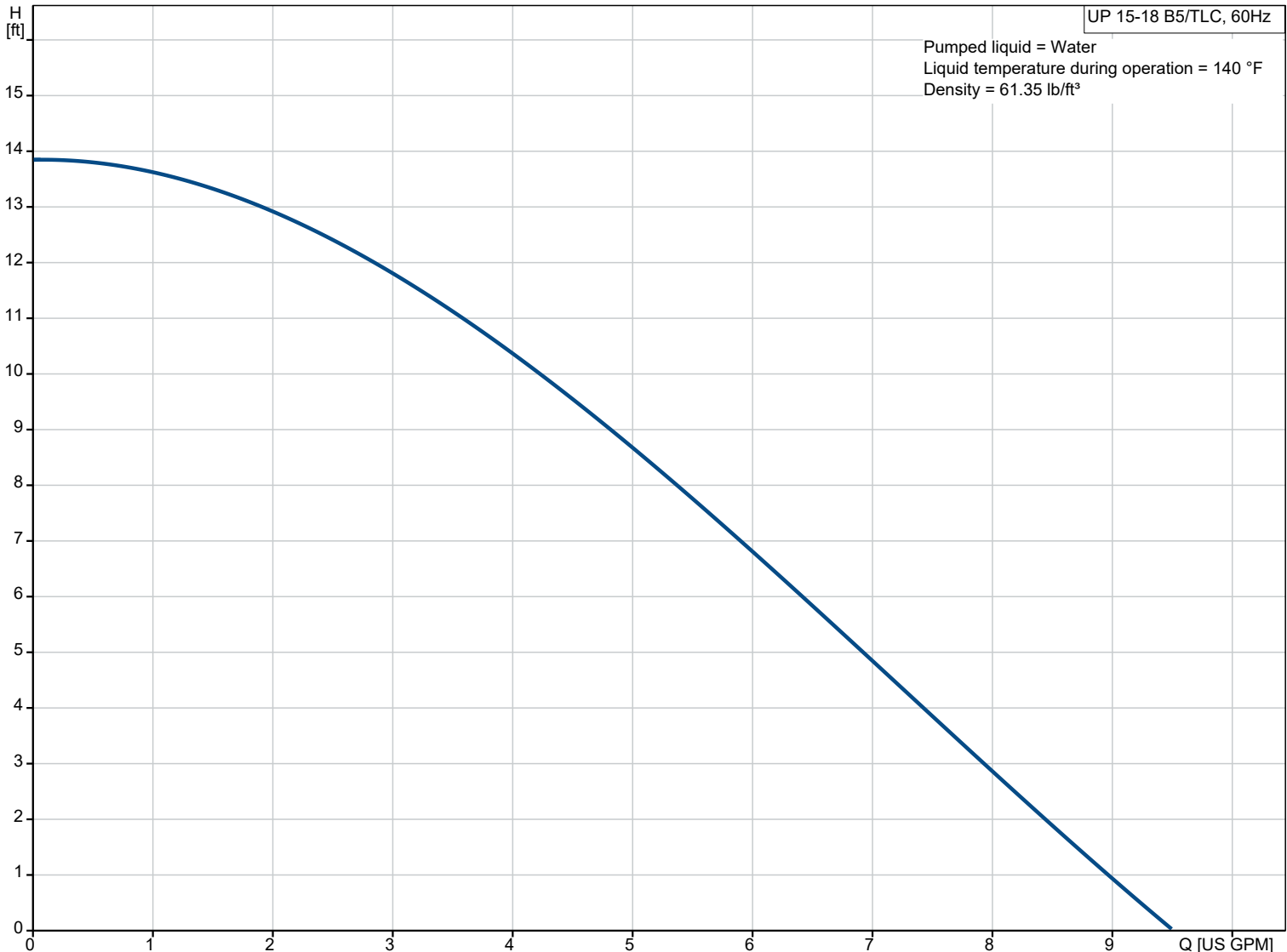


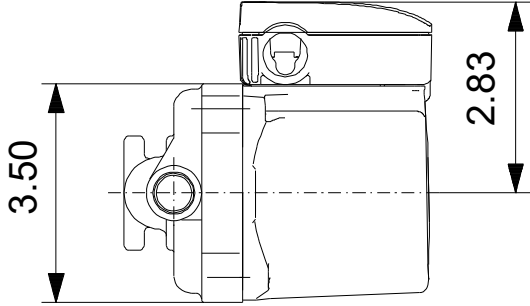
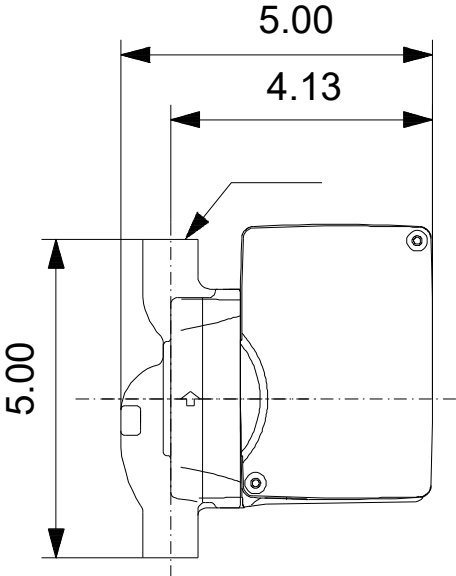
UP 15-18 B5/TLC

UP B is a circulator pump with a bronze pump housing for drinking water applications, while Grundfos UP N has stainless-steel pump housing. Both variants are recommended for underfloor heating systems.

Note! Product picture may differ from actual product

Conditions of Service		Pump Data		Motor Data	
Efficiency:	%	Liquid temperature range:	35.6 .. 150.8 °F	Max. power input:	85 W
Liquid:	Water	Maximum ambient temperature:	104 °F	Mains frequency:	60 Hz
Temperature:	140 °F	Type of connection:	Brz. SWEAT	Thermal protection:	Impedance protected
NPSH required:	ft	Pipe connection:	1/2" INT. SWEAT		
Specific Gravity:	0.985	Product number:	99452460		

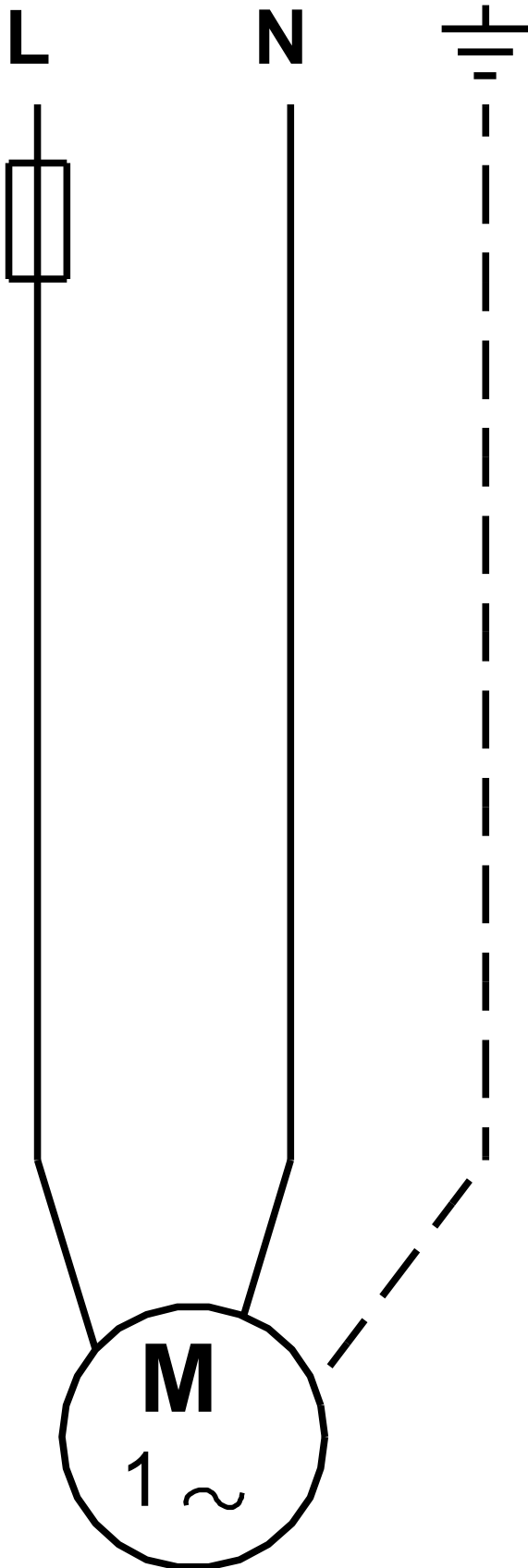




Materials:
Pump housing: Bronze
Pump housing: ASTM B584 C87500
Impeller: Composite

Qty.	Description
1	<p data-bbox="119 253 319 286">UP 15-18 B5/TLC</p> <p data-bbox="119 286 391 320">Product No.: 99452460</p> <p data-bbox="119 380 1476 459">Grundfos UP B circulator pumps have a bronze pump housing for drinking water applications while Grundfos UP N have a stainless-steel pump housing. Both variants are recommended for underfloor heating systems as the pumped liquid may often become aerated, causing corrosion in cast iron pump housings.</p> <p data-bbox="119 492 1484 548">The pump is of the canned rotor type, i.e. pump and motor form an integral unit without shaft seal and with only two gaskets for sealing. The bearings are lubricated by the pumped liquid. The pump is characterized by:</p> <ul data-bbox="119 548 949 638" style="list-style-type: none">• Ceramic shaft and radial bearings.Carbon axial bearing.Stainless steel rotor can and bearing plate.

99452460 UP 15-18 B5/TLC 60 Hz



Note! All units are in [in] unless others are stated.