

| | | |
|-----------------------|------------------------|-----------------|
| PROJECT: _____ | UNIT TAG: _____ | QUANTITY: _____ |
| REPRESENTATIVE: _____ | TYPE OF SERVICE: _____ | DATE: _____ |
| ENGINEER: _____ | SUBMITTED BY: _____ | DATE: _____ |
| CONTRACTOR: _____ | APPROVED BY: _____ | DATE: _____ |
| | ORDER NO.: _____ | DATE: _____ |

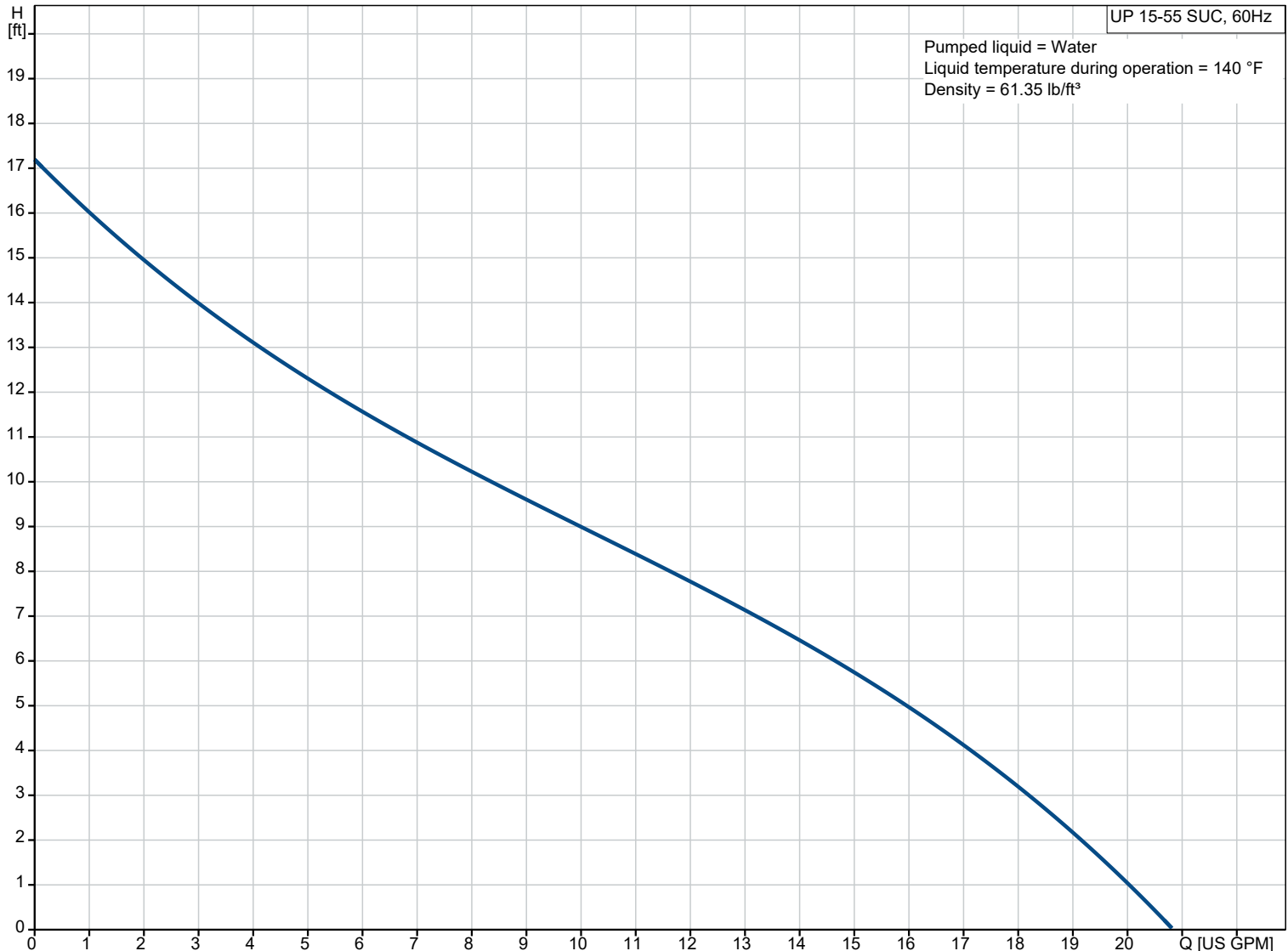


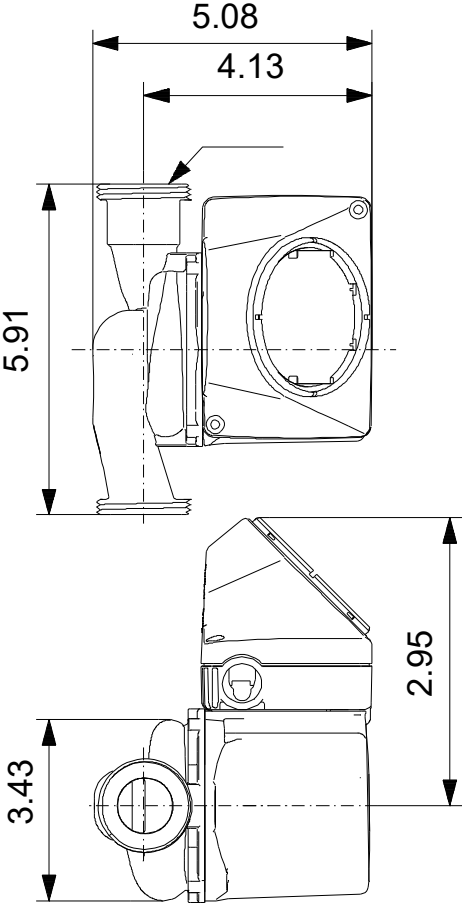
UP 15-55 SUC

UP B is a circulator pump with a bronze pump housing for drinking water applications, while Grundfos UP N has stainless-steel pump housing. Both variants are recommended for underfloor heating systems.

Note! Product picture may differ from actual product

| Conditions of Service | | Pump Data | | Motor Data | |
|-----------------------|--------|------------------------------|----------------|---------------------|---------------------|
| Efficiency: | % | Liquid temperature range: | 35.6 .. 230 °F | Max. power input: | 97 W |
| Liquid: | Water | Maximum ambient temperature: | 104 °F | Mains frequency: | 60 Hz |
| Temperature: | 140 °F | Type of connection: | S.S. Union | Thermal protection: | Impedance protected |
| NPSH required: | ft | Pipe connection: | 1 1/4" NPSM | | |
| Specific Gravity: | 0.985 | Product number: | 59896786 | | |

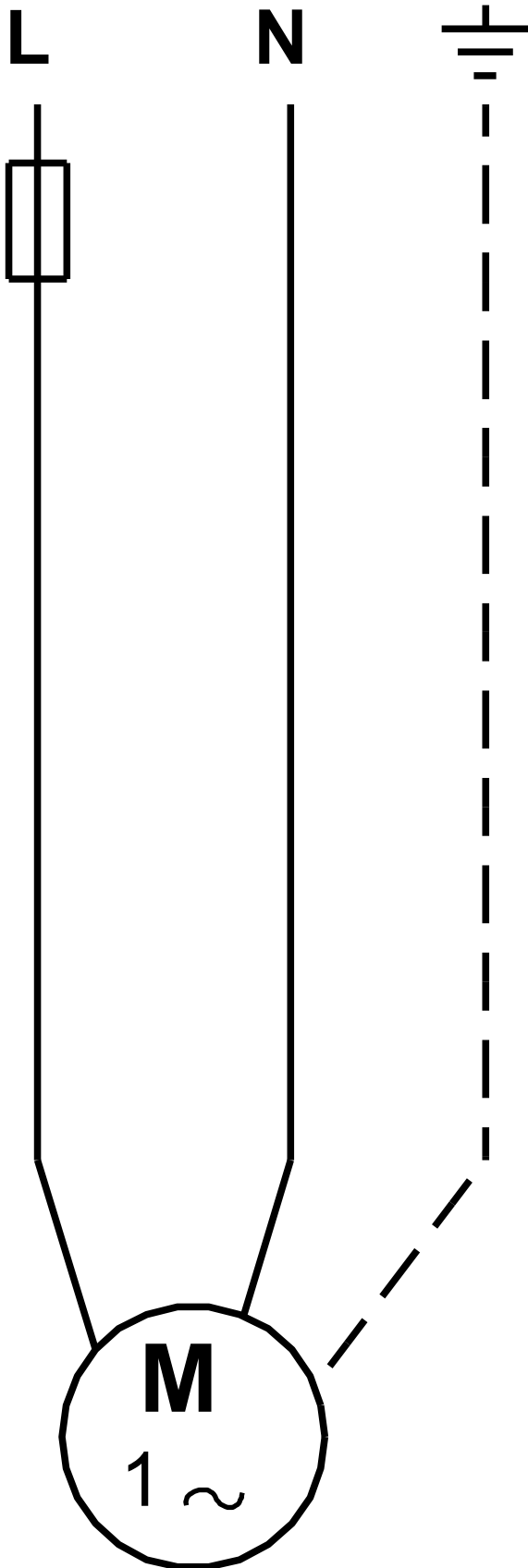




Materials:
Pump housing: Stainless steel
Pump housing: AISI 304
Impeller: Composite

| Qty. | Description |
|------|--|
| 1 | <p data-bbox="119 253 1560 291">UP 15-55 SUC</p> <p data-bbox="119 291 1560 324">Product No.: 59896786</p> <p data-bbox="119 380 1560 459">Grundfos UP B circulator pumps have a bronze pump housing for drinking water applications while Grundfos UP N have a stainless-steel pump housing. Both variants are recommended for underfloor heating systems as the pumped liquid may often become aerated, causing corrosion in cast iron pump housings.</p> <p data-bbox="119 492 1560 548">The pump is of the canned rotor type, i.e. pump and motor form an integral unit without shaft seal and with only two gaskets for sealing. The bearings are lubricated by the pumped liquid. The pump is characterized by:</p> <ul data-bbox="119 548 1560 649" style="list-style-type: none"><li data-bbox="119 548 1560 582">• Ceramic shaft and radial bearings.<li data-bbox="119 582 1560 616">Carbon axial bearing.<li data-bbox="119 616 1560 649">Stainless steel rotor can and bearing plate. |

59896786 UP 15-55 SUC 60 Hz



Note! All units are in [in] unless others are stated.