

PROJECT: _____	UNIT TAG: _____	QUANTITY: _____
REPRESENTATIVE: _____	TYPE OF SERVICE: _____	DATE: _____
ENGINEER: _____	SUBMITTED BY: _____	DATE: _____
CONTRACTOR: _____	APPROVED BY: _____	DATE: _____
	ORDER NO.: _____	DATE: _____

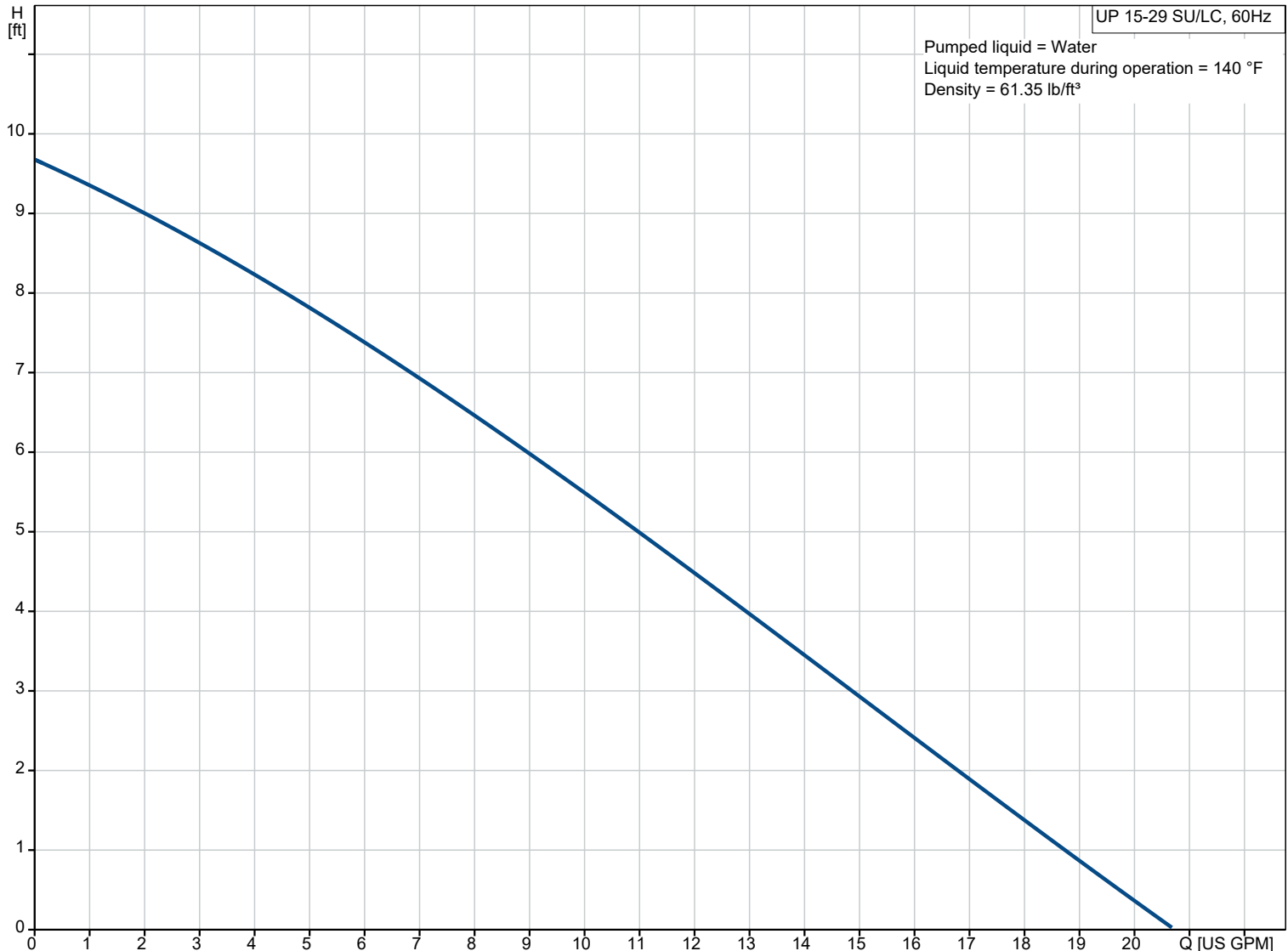


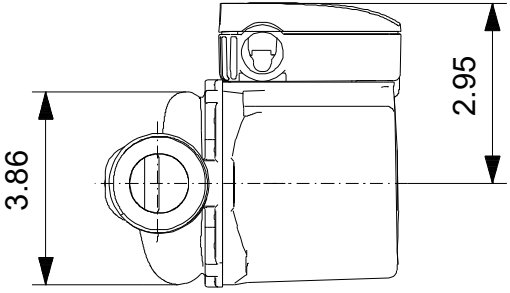
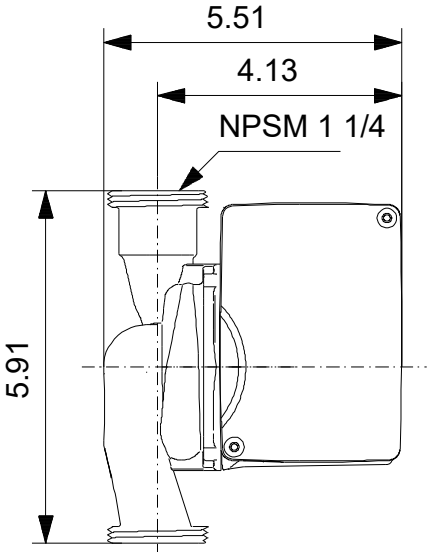
## UP 15-29 SU/LC

UP B is a circulator pump with a bronze pump housing for drinking water applications, while Grundfos UP N has stainless-steel pump housing. Both variants are recommended for underfloor heating systems.

Note! Product picture may differ from actual product

Conditions of Service		Pump Data		Motor Data	
Efficiency:	%	Liquid temperature range:	35.6 .. 230 °F	Max. power input:	87 W
Liquid:	Water	Maximum ambient temperature:	104 °F	Mains frequency:	60 Hz
Temperature:	140 °F	Type of connection:	S.S. Union	Thermal protection:	Impedance protected
NPSH required:	ft	Pipe connection:	1 1/4" NPSM		
Specific Gravity:	0.985	Product number:	59896776		





**Materials:**  
Pump housing: Stainless steel  
Pump housing: AISI 304  
Impeller: Composite



Company name: Hurley Engineering

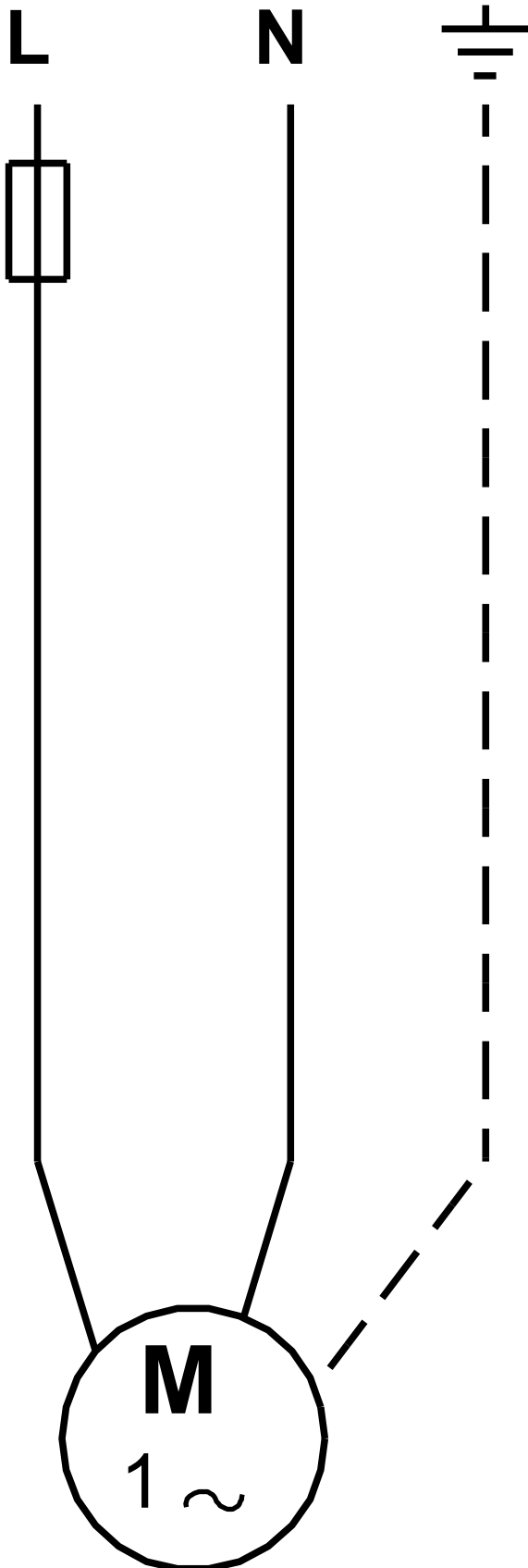
Created by:

Phone:

Date: 23/02/2023

Qty.	Description
1	<p data-bbox="119 253 1560 291"><b>UP 15-29 SU/LC</b></p> <p data-bbox="119 291 1560 324">Product No.: <a href="#">59896776</a></p> <p data-bbox="119 380 1560 459">Grundfos UP B circulator pumps have a bronze pump housing for drinking water applications while Grundfos UP N have a stainless-steel pump housing. Both variants are recommended for underfloor heating systems as the pumped liquid may often become aerated, causing corrosion in cast iron pump housings.</p> <p data-bbox="119 492 1560 548">The pump is of the canned rotor type, i.e. pump and motor form an integral unit without shaft seal and with only two gaskets for sealing. The bearings are lubricated by the pumped liquid. The pump is characterized by:</p> <ul data-bbox="119 548 1560 649" style="list-style-type: none"><li data-bbox="119 548 1560 582">• Ceramic shaft and radial bearings.</li><li data-bbox="119 582 1560 616">Carbon axial bearing.</li><li data-bbox="119 616 1560 649">Stainless steel rotor can and bearing plate.</li></ul>

59896776 UP 15-29 SU/LC 60 Hz



Note! All units are in [in] unless others are stated.