

PROJECT: _____	UNIT TAG: _____	QUANTITY: _____
REPRESENTATIVE: _____	TYPE OF SERVICE: _____	DATE: _____
ENGINEER: _____	SUBMITTED BY: _____	DATE: _____
CONTRACTOR: _____	APPROVED BY: _____	DATE: _____
	ORDER NO.: _____	DATE: _____

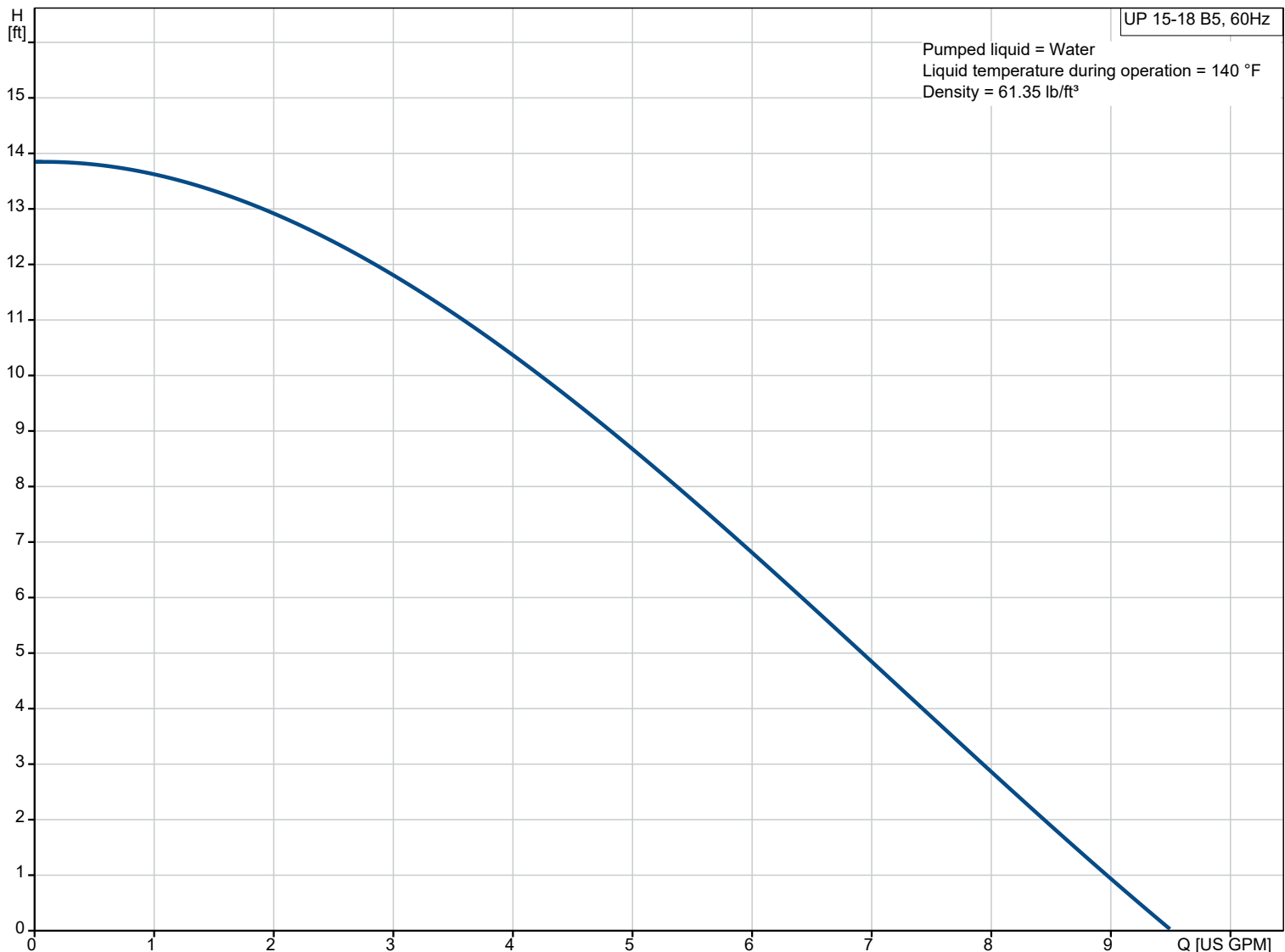


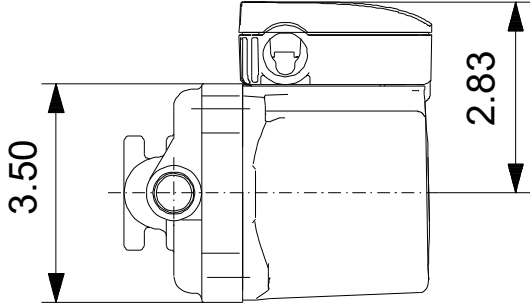
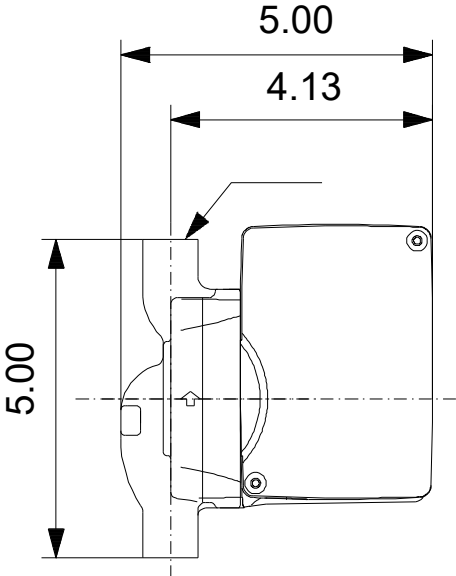
## UP 15-18 B5

UP B is a circulator pump with a bronze pump housing for drinking water applications, while Grundfos UP N has stainless-steel pump housing. Both variants are recommended for underfloor heating systems.

Note! Product picture may differ from actual product

Conditions of Service	Pump Data	Motor Data
Efficiency: %	Liquid temperature range: 35.6 .. 230 °F	Max. power input: 85 W
Liquid: Water	Maximum ambient temperature: 104 °F	Mains frequency: 60 Hz
Temperature: 140 °F	Type of connection: Brz. Sweat	Thermal protection: Impedance protected
NPSH required: ft	Pipe connection: 1/2" INT. SWEAT	
Specific Gravity: 0.985	Product number: 59896114	





**Materials:**  
Pump housing: Bronze  
Pump housing: ASTM B584 C87500  
Impeller: Composite



Company name: Hurley Engineering

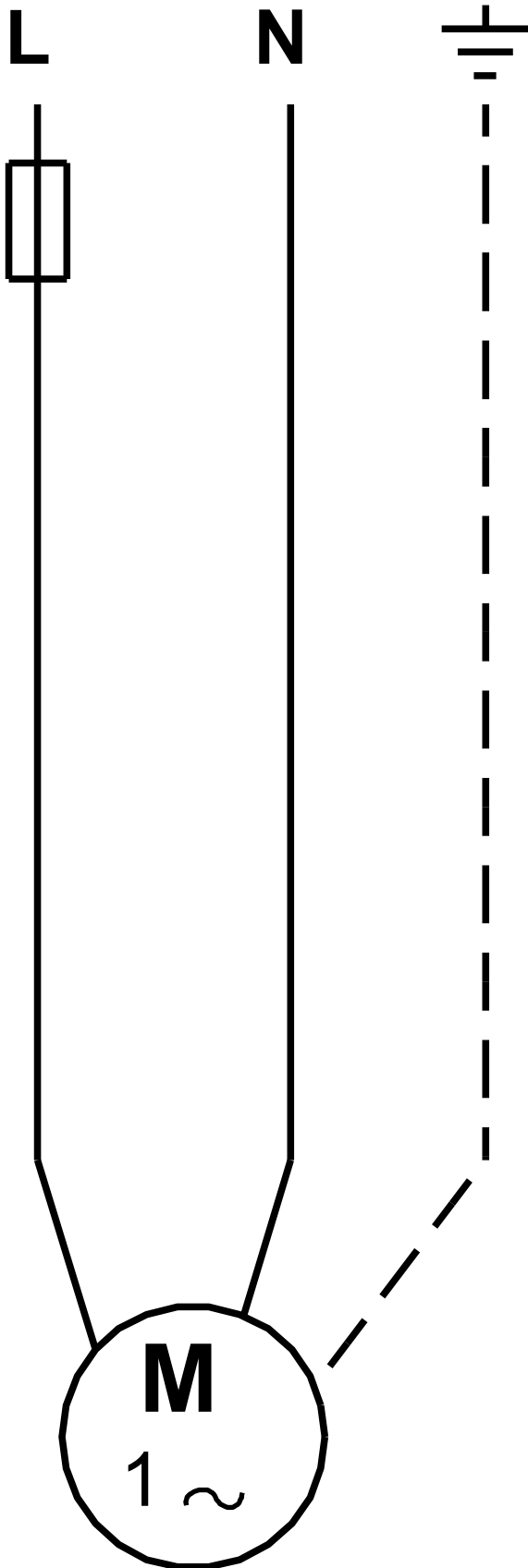
Created by:

Phone:

Date: 23/02/2023

Qty.	Description
1	<p data-bbox="119 253 1551 291"><b>UP 15-18 B5</b></p> <p data-bbox="119 291 1551 324">Product No.: <a href="#">59896114</a></p> <p data-bbox="119 380 1551 459">Grundfos UP B circulator pumps have a bronze pump housing for drinking water applications while Grundfos UP N have a stainless-steel pump housing. Both variants are recommended for underfloor heating systems as the pumped liquid may often become aerated, causing corrosion in cast iron pump housings.</p> <p data-bbox="119 492 1551 548">The pump is of the canned rotor type, i.e. pump and motor form an integral unit without shaft seal and with only two gaskets for sealing. The bearings are lubricated by the pumped liquid. The pump is characterized by:</p> <ul data-bbox="119 548 1551 649" style="list-style-type: none"><li data-bbox="119 548 1551 582">• Ceramic shaft and radial bearings.</li><li data-bbox="119 582 1551 616">Carbon axial bearing.</li><li data-bbox="119 616 1551 649">Stainless steel rotor can and bearing plate.</li></ul>

59896114 UP 15-18 B5 60 Hz



Note! All units are in [in] unless others are stated.