

| | | |
|-----------------------|------------------|-------------|
| PROJECT: | UNIT TAG: | QUANTITY: |
| REPRESENTATIVE: _____ | TYPE OF SERVICE: | DATE: _____ |
| ENGINEER: | SUBMITTED BY: | DATE: |
| CONTRACTOR: | APPROVED BY: | DATE: |
| | ORDER NO.: | DATE: |

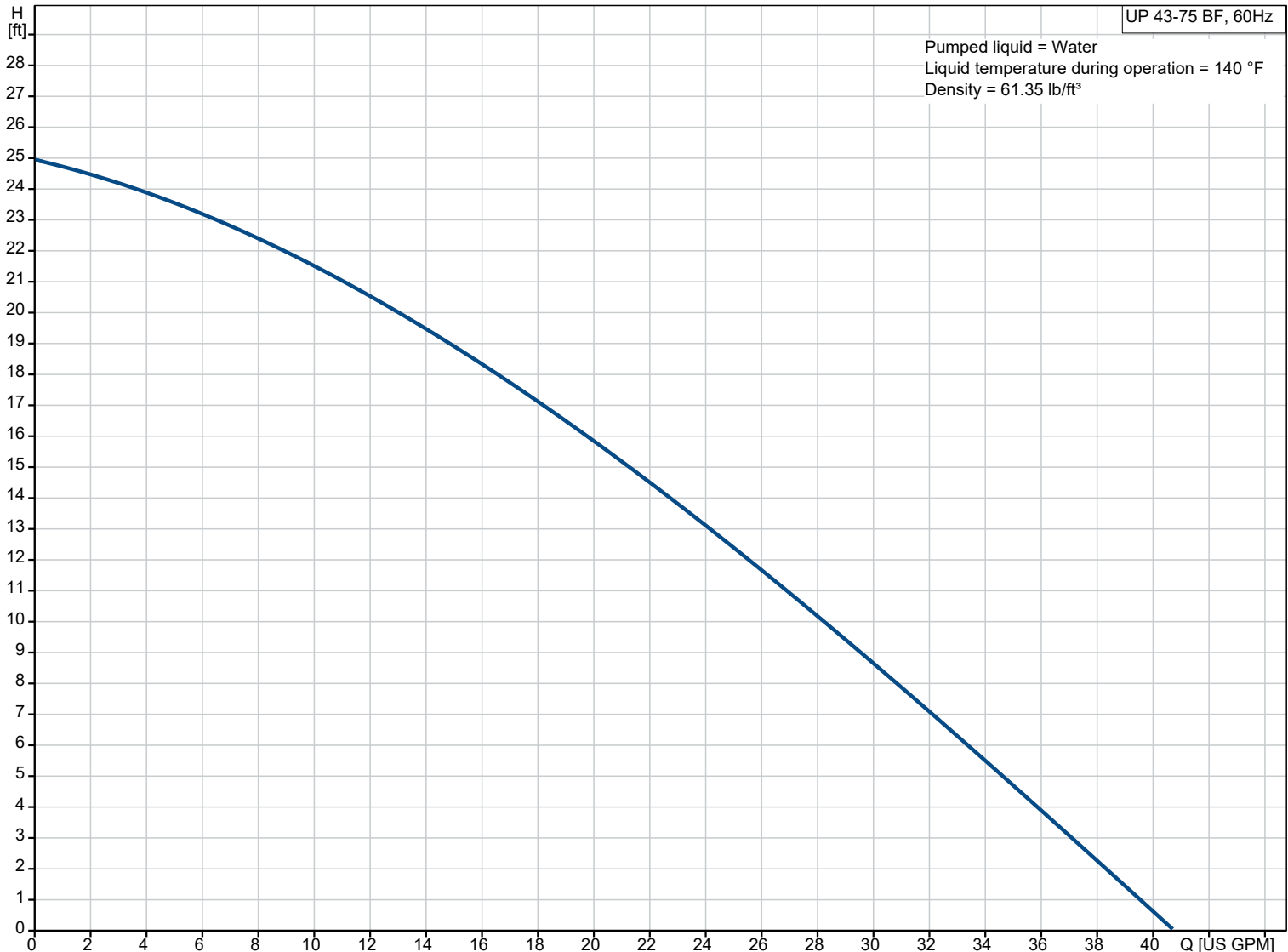


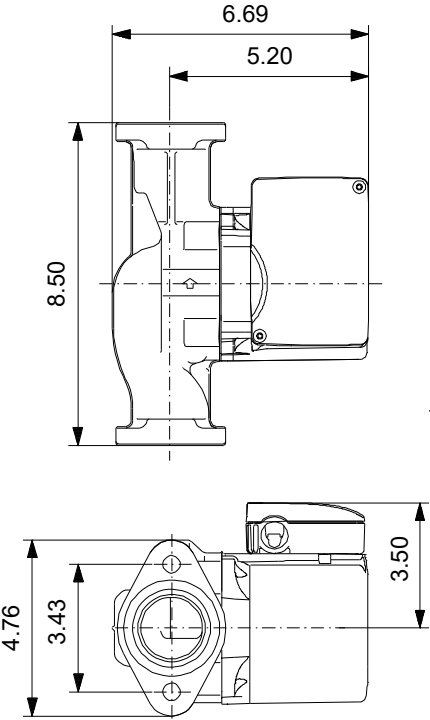
UP 43-75 BF

UP B is a single-speed circulator pump with a corrosion-resistant bronze pump housing designed for hot-water recirculation. The pump provides reliable and maintenance-free operation.

Note! Product picture may differ from actual product

| Conditions of Service | | Pump Data | | Motor Data | |
|-----------------------|--------|------------------------------|----------------|---------------------|----------|
| Efficiency: | % | Liquid temperature range: | 35.6 .. 230 °F | Max. power input: | 215 W |
| Liquid: | Water | Maximum ambient temperature: | 104 °F | Mains frequency: | 60 Hz |
| Temperature: | 140 °F | Type of connection: | Brz. Flange | Thermal protection: | internal |
| NPSH required: | ft | Pipe connection: | 2-BOLT FLANGE | | |
| Specific Gravity: | 0.985 | Product number: | 52722370 | | |





Materials:
Pump housing: Bronze
Pump housing: ASTM B584 C87500
Impeller: Composite



Company name: Hurley Engineering

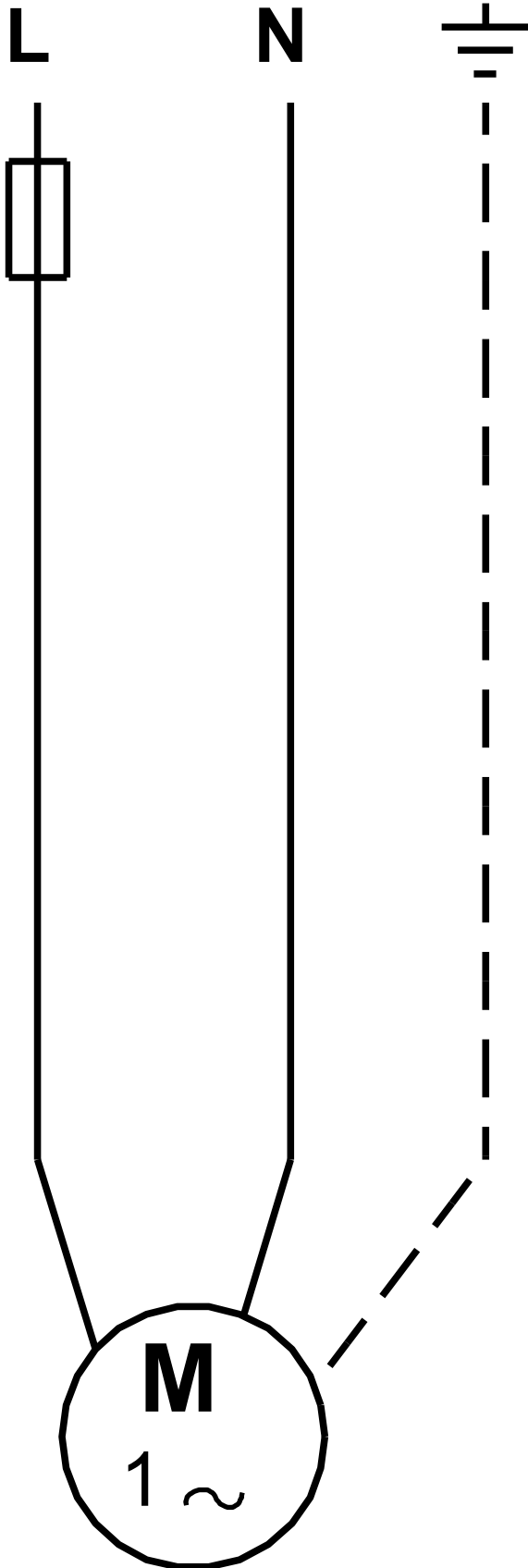
Created by:

Phone:

Date: 23/02/2023

| Qty. | Description |
|------|--------------------------------------------------------------------------------------------------------------------------------------------------------------------------------------------------------------------------------------------------------------------------------------------------------------------------------------------------------------------------------------------------------------------------------------------------------------------------------------------------------------------------------------------------------------------------------------------------------------------------------------------------------------------------------------------------------------------------------------------------------------------------------------------------------------------------------------------------------|
| 1 | <p data-bbox="119 253 1560 324">UP 43-75 BF Product No.: 52722370</p> <p data-bbox="119 380 1560 436">Grundfos UP B circulator pumps have a bronze pump housing for drinking water applications. They are recommended for underfloor heating systems as the pumped liquid may often become aerated, causing corrosion in cast iron pump housings.</p> <p data-bbox="119 470 1560 526">The pump is of the canned rotor type, i.e. pump and motor form an integral unit without shaft seal and with only two gaskets for sealing. The bearings are lubricated by the pumped liquid. The pump is characterized by:</p> <ul data-bbox="159 526 662 616" style="list-style-type: none">* Ceramic shaft and radial bearings.* Carbon axial bearing.* Stainless steel rotor can and bearing plate. |

52722370 UP 43-75 BF 60 Hz



Note! All units are in [in] unless others are stated.