

| | | |
|-----------------------|------------------------|-----------------|
| PROJECT: _____ | UNIT TAG: _____ | QUANTITY: _____ |
| REPRESENTATIVE: _____ | TYPE OF SERVICE: _____ | DATE: _____ |
| ENGINEER: _____ | SUBMITTED BY: _____ | DATE: _____ |
| CONTRACTOR: _____ | APPROVED BY: _____ | DATE: _____ |
| | ORDER NO.: _____ | DATE: _____ |

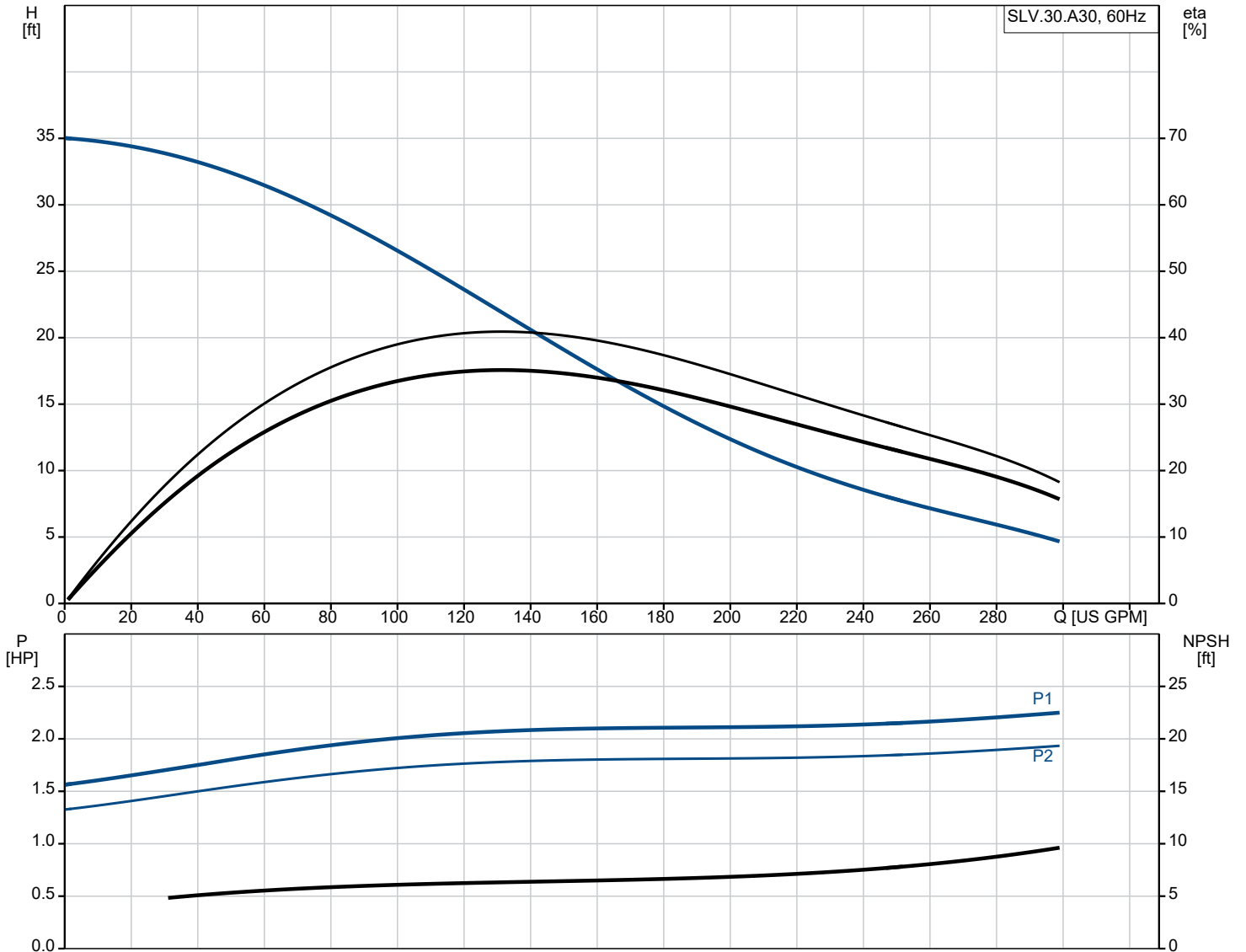
SLV.30.A30 .20.EX.4.60J.C

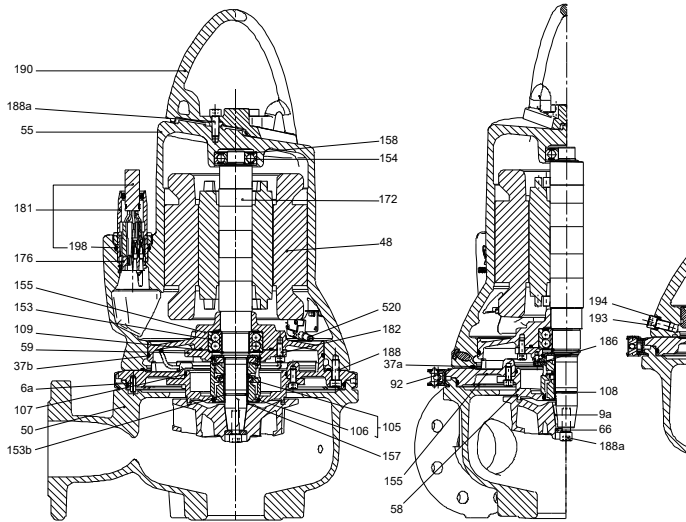
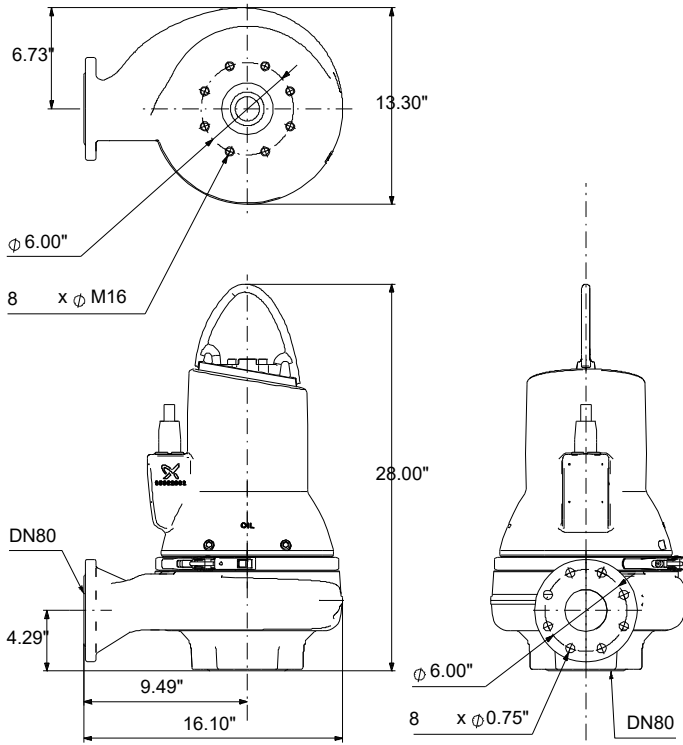


Submersible Grundfos SLV sewage pumps (1.1-11 kW) are fitted with a SuperVortex impeller. The free passage through the pump varies from 50-100 mm depending on size.

Note! Product picture may differ from actual product

| Conditions of Service | Pump Data | Motor Data |
|-------------------------|--|--|
| Specific Gravity: 1.000 | Liquid temperature range: 50 .. 104 °F Maximum ambient temperature: 104 °F Approvals: CSA, FM Flange standard: ANSI Product number: 99034809 | Mains frequency: 60 Hz Number of poles: 4 Enclosure class: IP68 Motor protection: THERMAL SWITCH Eta 1/1: 86.0 % |

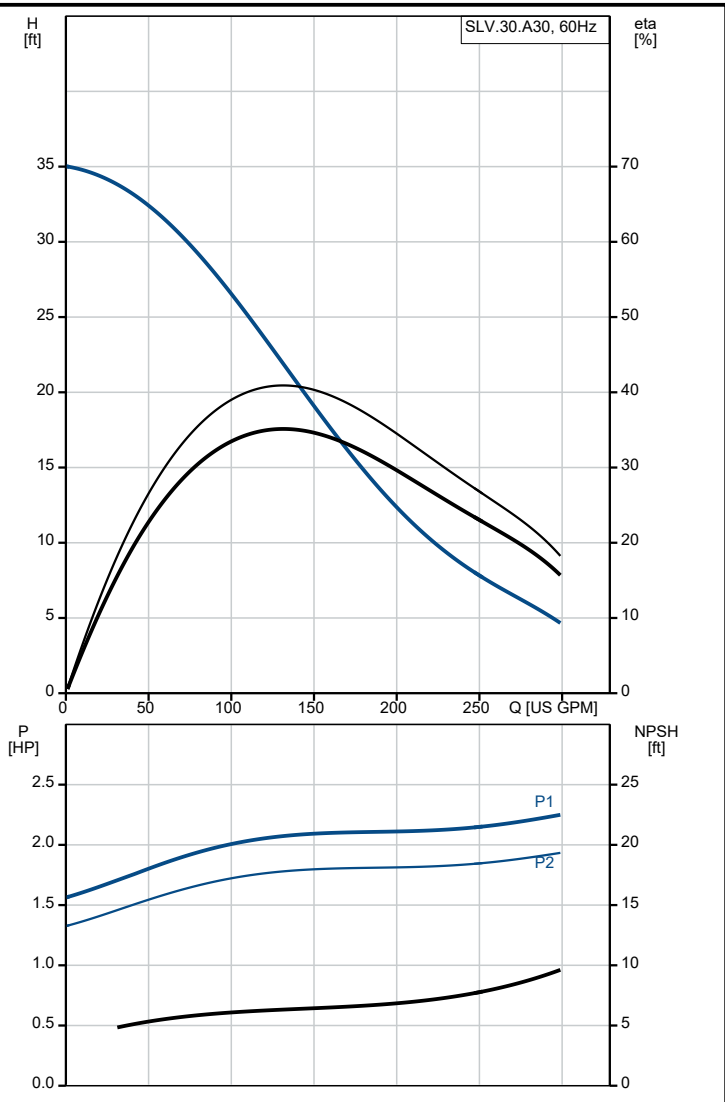




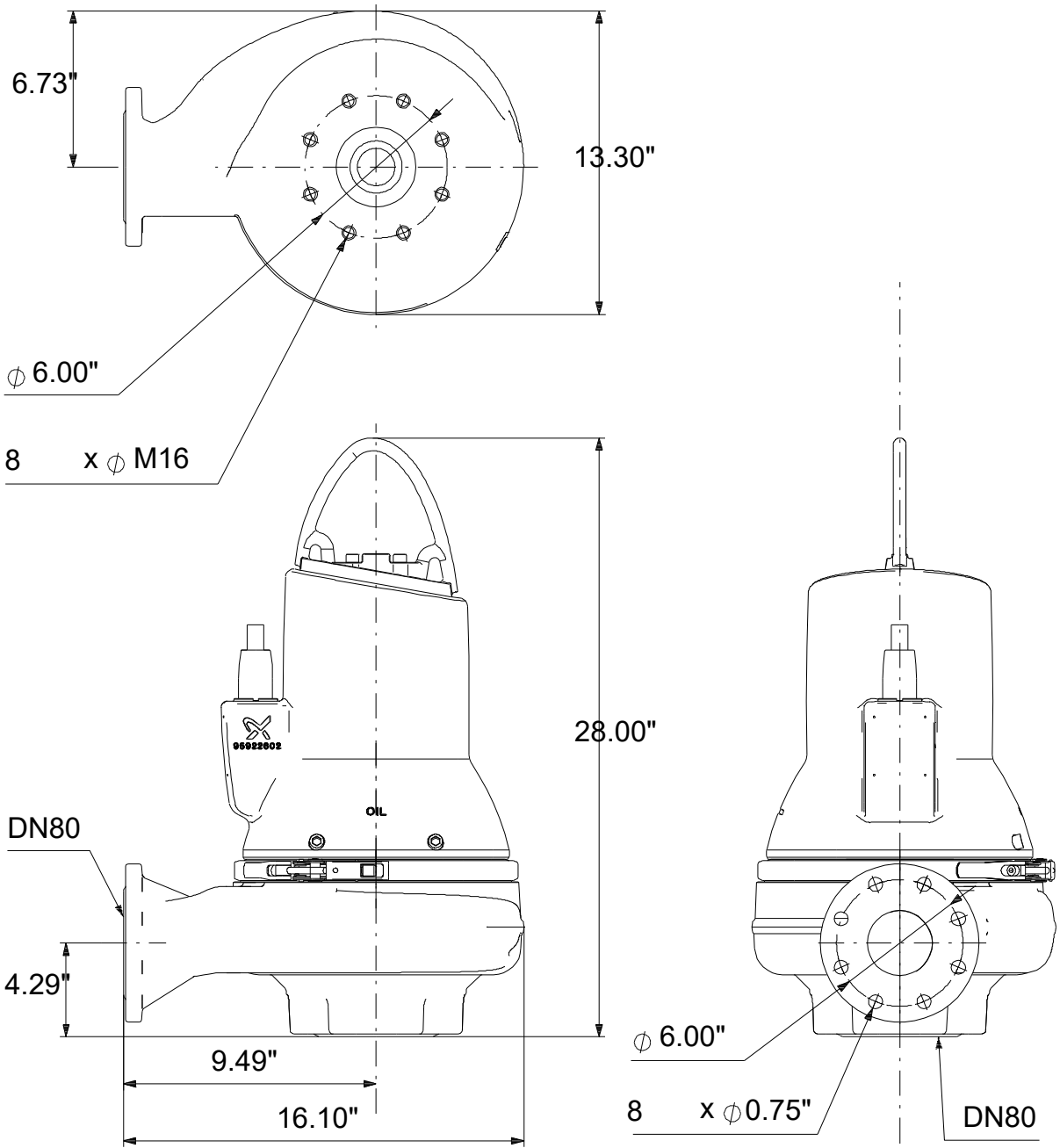
Materials:

- Pump housing: Cast iron
- Pump housing: EN 5.1301 EN-GJL-250
- Pump housing: ASTM ASTM A48-250B
- Impeller: Cast iron
- Impeller: ASTM A48-250B
- Impeller: EN 5.1301 EN-GJL-250
- Motor: EN-GJL-250

| Description | Value |
|--------------------------------|-----------------------------|
| General information: | |
| Product name: | SLV.30.A30 .20.EX.4.60J.C |
| Product No: | 99034809 |
| EAN number: | 5712605506225 |
| Technical: | |
| Maximum flow: | 299 US GPM |
| Maximum head: | 33.14 ft |
| Type of impeller: | SUPER VORTEX |
| Maximum particle size: | 3 1/8 in |
| Primary shaft seal: | SIC/SIC |
| Approvals on nameplate: | CSA, FM |
| Curve tolerance: | ANSI/HI11.6:2017 3B2 |
| Cooling jacket: | without cooling jacket |
| Rated speed: | 1751 rpm |
| Materials: | |
| Pump housing: | Cast iron |
| Pump housing: | EN 5.1301 EN-GJL-250 |
| Pump housing: | ASTM ASTM A48-250B |
| Impeller: | Cast iron |
| Impeller: | EN 5.1301 EN-GJL-250 |
| Impeller: | ASTM A48-250B |
| Motor: | EN-GJL-250 |
| Installation: | |
| Range of ambient temperature: | -4 .. 104 °F |
| Maximum operating pressure: | 87.02 psi |
| Flange standard: | ANSI |
| Type of inlet connection: | ANSI |
| Type of outlet connection: | ANSI |
| Size of inlet connection: | DN 80 |
| Size of outlet connection: | DN 80 |
| Pressure rating: | PN 10 |
| Maximum installation depth: | 65.6 ft |
| Inst dry/wet: | SUBMERGED |
| Installation: | Vertical |
| Auto-coupling: | 97626239 |
| Frame range: | B |
| Liquid: | |
| Liquid temperature range: | 50 .. 104 °F |
| Density: | 62.29 lb/ft³ |
| Electrical data: | |
| Power input - P1: | 1.9 kW |
| Rated power - P2: | 2 HP |
| Mains frequency: | 60 Hz |
| Rated voltage [V]: | 3 x 208-230 V |
| Voltage tolerance: | +10/-10 % |
| Max starts per. hour: | 20 |
| Rated current: | 7.1-7.9 A |
| Starting current: | 52.9 A |
| Cos phi - power factor: | 0.72 |
| Cos phi - p.f. at 3/4 load: | 0.63 |
| Cos phi - p.f. at 1/2 load: | 0.51 |
| Rated speed: | 1751 rpm |
| Motor efficiency at full load: | 86.0 % |
| Motor efficiency at 3/4 load: | 85.7 % |
| Motor efficiency at 1/2 load: | 83.3 % |
| Number of poles: | 4 |
| Start. method: | direct-on-line |
| Enclosure class (IEC 34-5): | IP68 |
| Insulation class (IEC 85): | H |
| Explosion proof: | yes |
| Built-in motor protection: | THERMAL SWITCH |
| Length of power cable: | 49.2 ft |
| Cable type: | SEOOW 600V |
| Controls: | |
| Control box: | not included |
| Moisture sensor: | with moisture sensors |
| Water-in-oil sensor: | without water-in-oil sensor |
| Others: | |
| Net weight: | 207 lb |

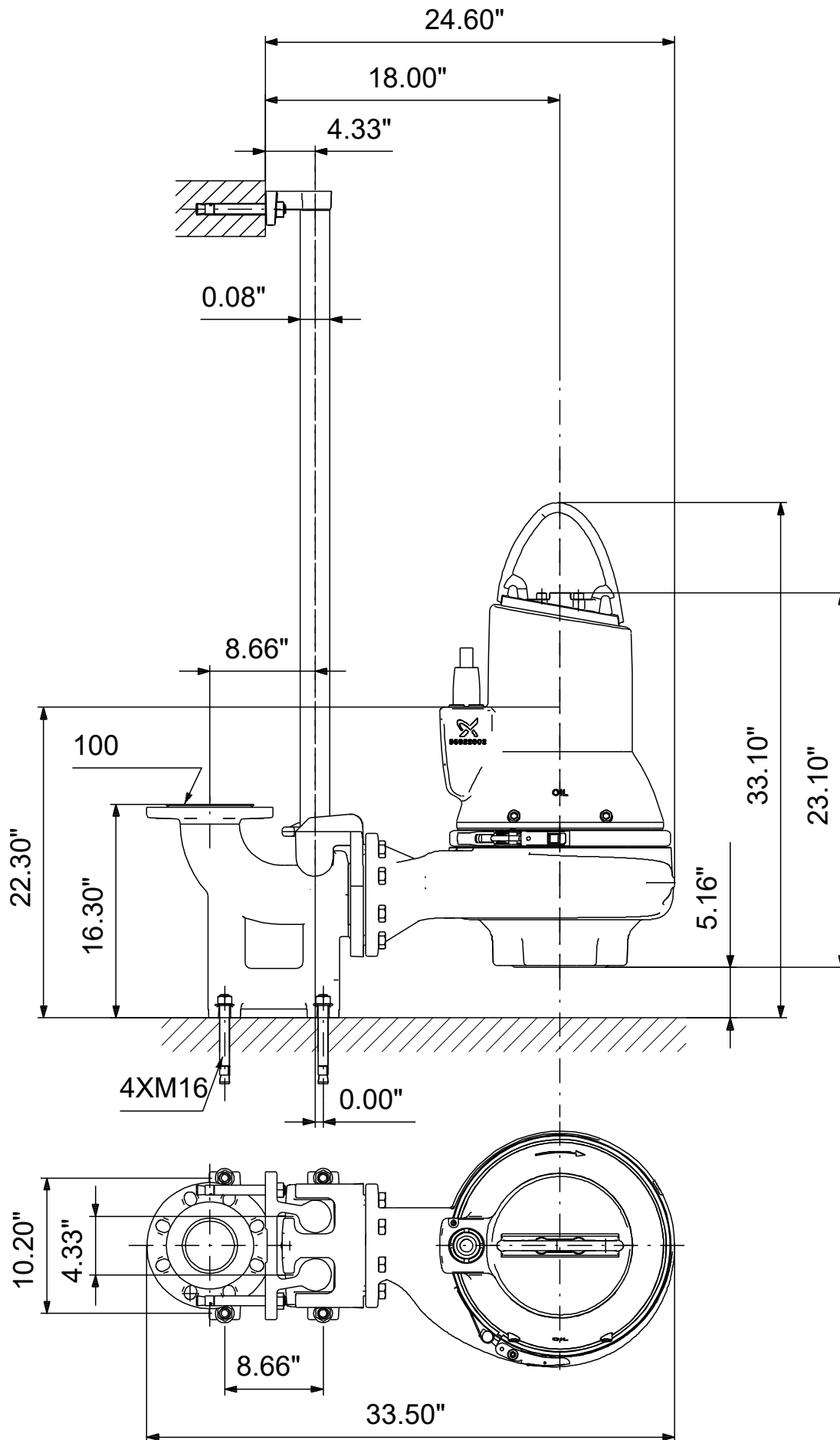


99034809 SLV.30.A30 .20.EX.4.60J.C 60 Hz



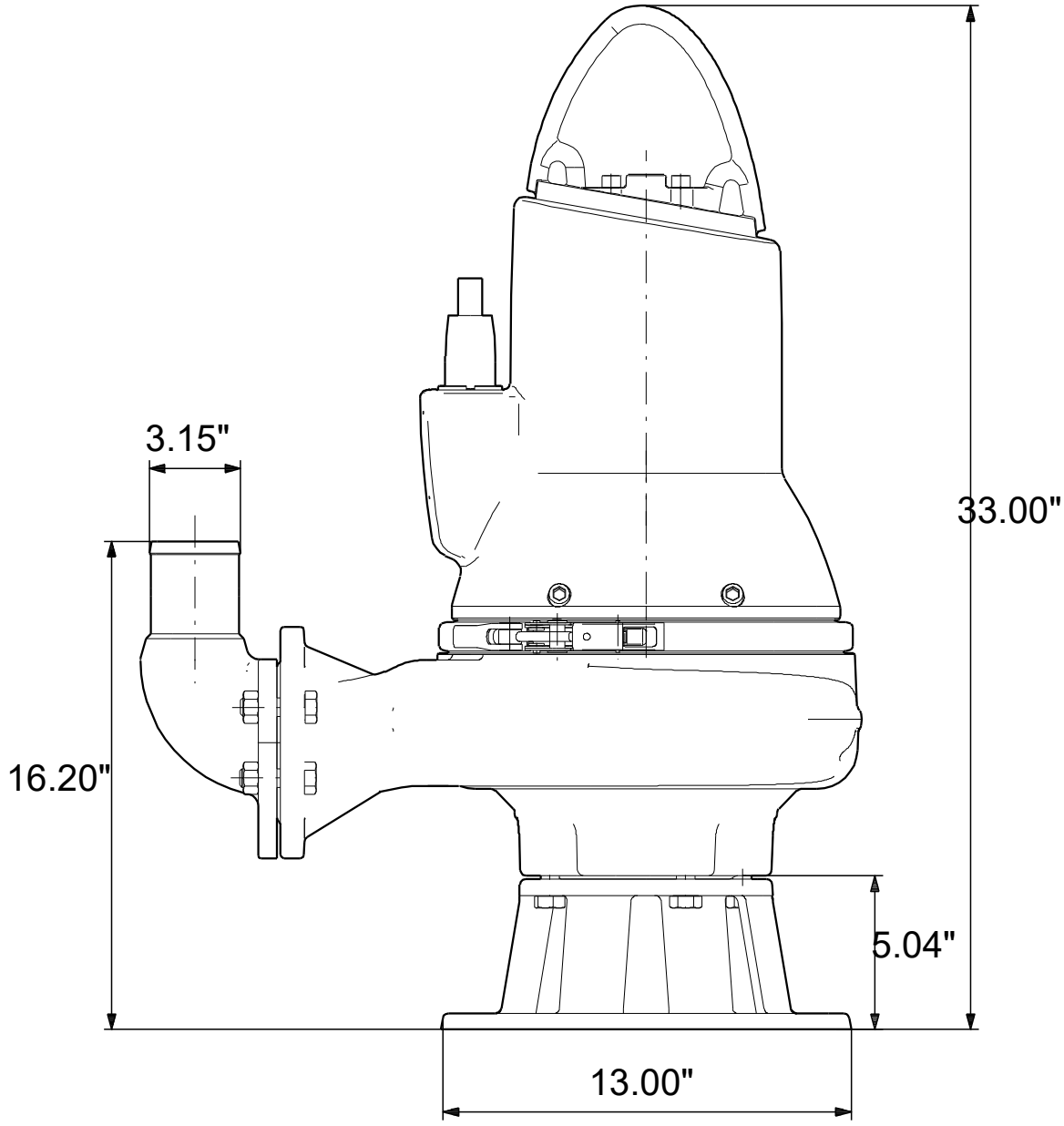
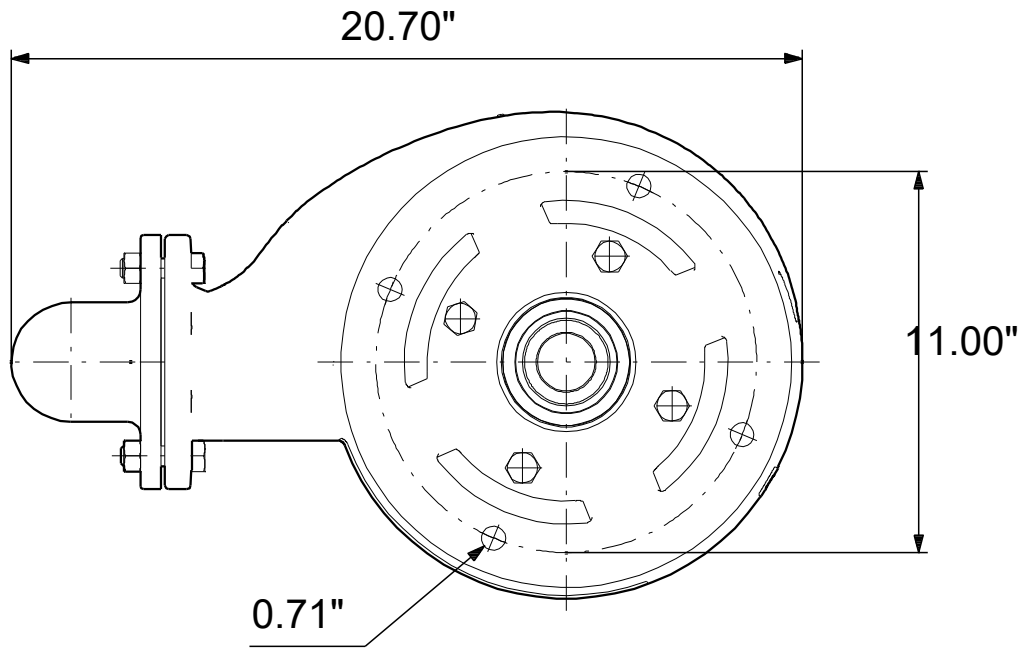
Note! All units are in [in] unless others are stated.
Disclaimer: This simplified dimensional drawing does not show all details.

99034809 SLV.30.A30 .20.EX.4.60J.C 60 Hz

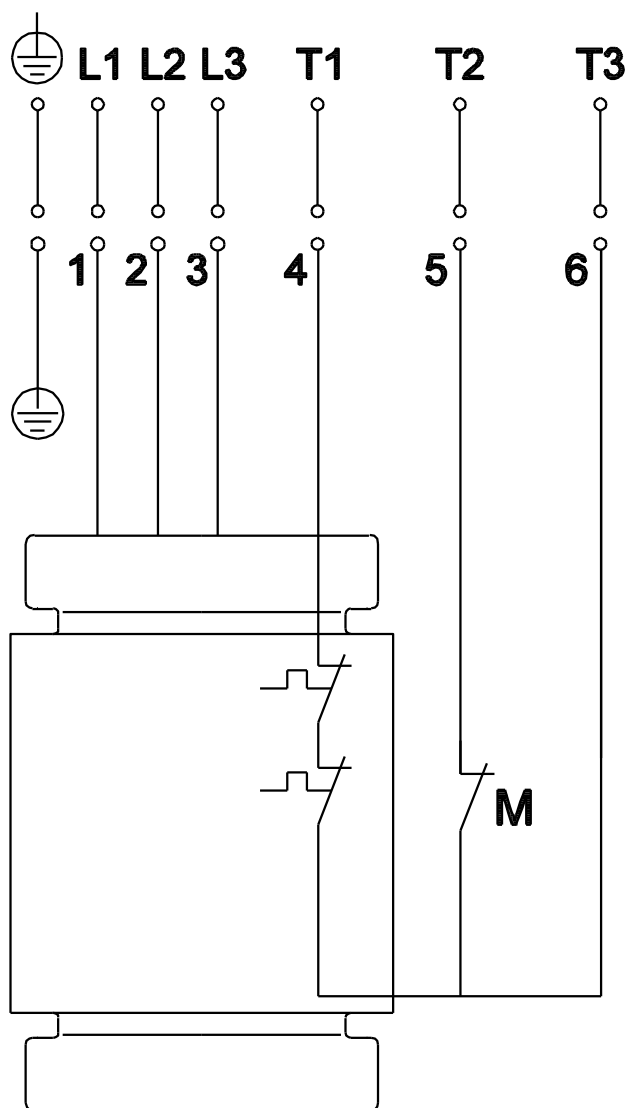
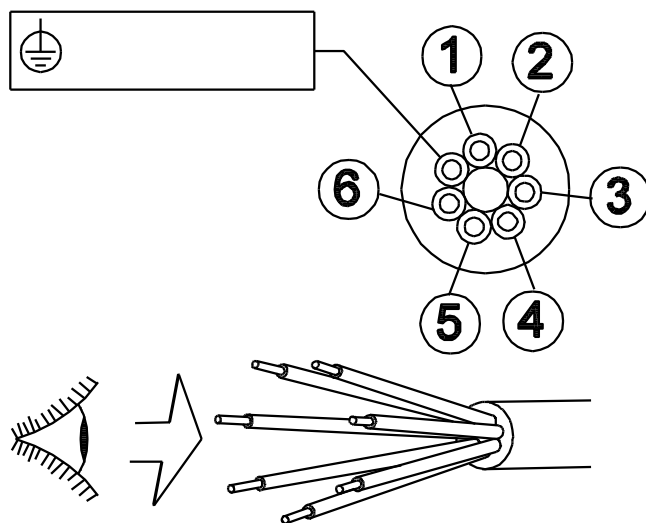


Note! All units are in [in] unless others are stated
Disclaimer: This simplified dimensional drawing does not show all details.

99034809 SLV.30.A30 .20.EX.4.60J.C 60 Hz



Note! All units are in [in] unless others are stated.
Disclaimer: This simplified dimensional drawing does not show all details.



Note! All units are in [in] unless others are stated.