

|                       |                        |                 |
|-----------------------|------------------------|-----------------|
| PROJECT: _____        | UNIT TAG: _____        | QUANTITY: _____ |
| REPRESENTATIVE: _____ | TYPE OF SERVICE: _____ | DATE: _____     |
| ENGINEER: _____       | SUBMITTED BY: _____    | DATE: _____     |
| CONTRACTOR: _____     | APPROVED BY: _____     | DATE: _____     |
|                       | ORDER NO.: _____       | DATE: _____     |

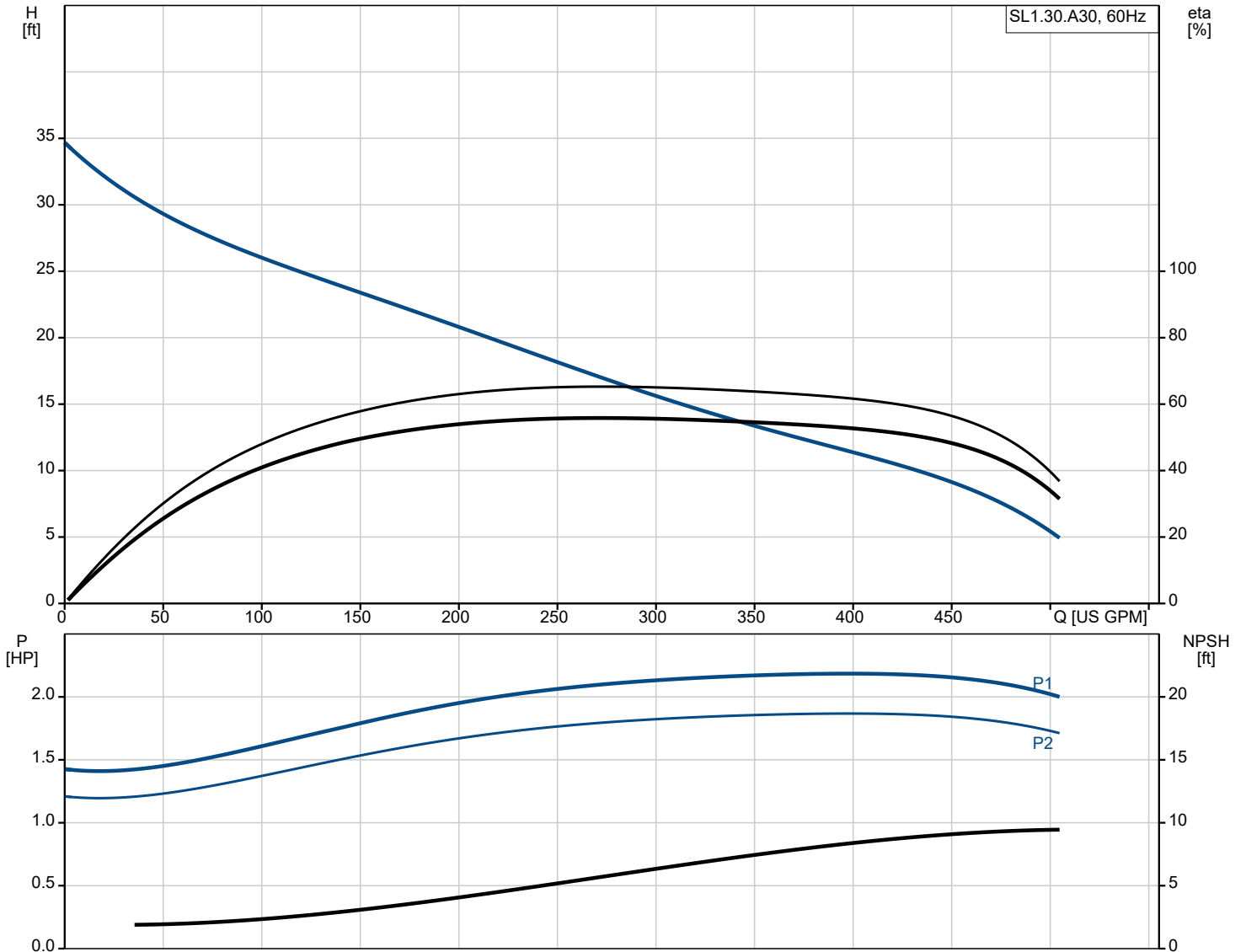
**SL1.30.A30 .20.EX.4.61R.C**

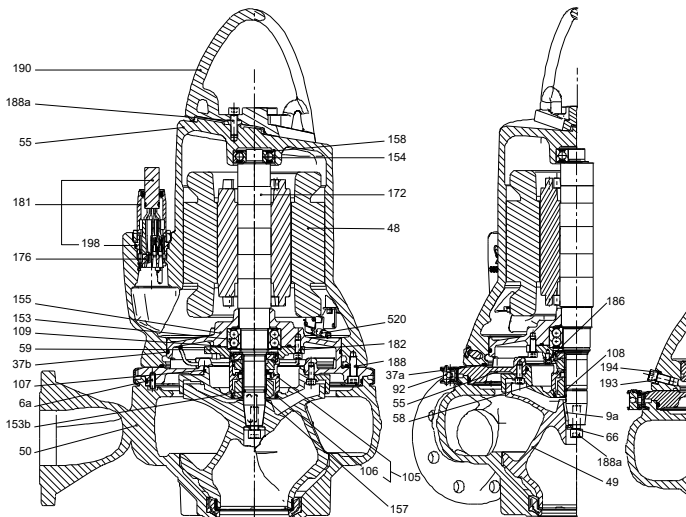
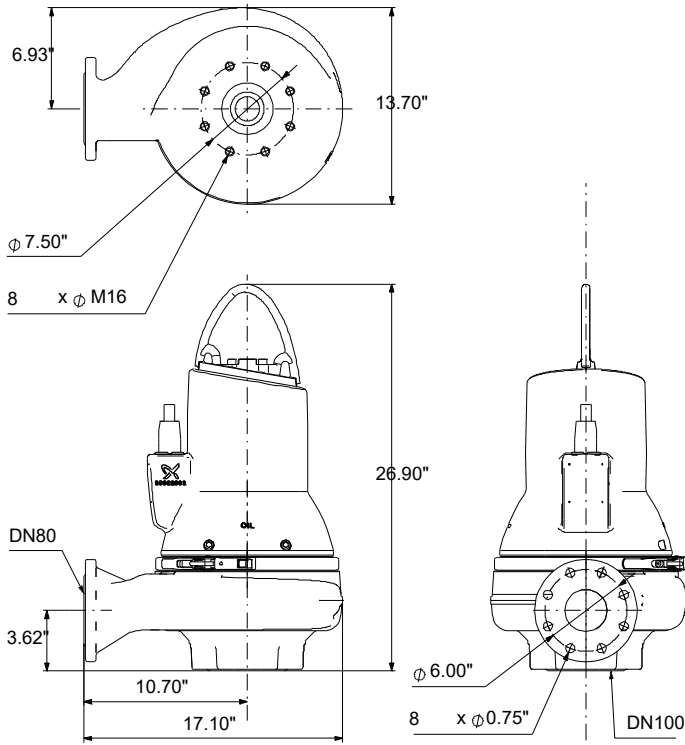


Submersible Grundfos SL sewage pumps (1.1-11 kW) are fitted with an S-tube® impeller. The free passage through the pump varies from 50-100 mm depending on size.

Note! Product picture may differ from actual product

| Conditions of Service   | Pump Data  | Motor Data   |
|-------------------------|--|--|
| Specific Gravity: 1.000 | Liquid temperature range: 50 .. 104 °F<br>Maximum ambient temperature: 104 °F<br>Approvals: CSA, FM<br>Flange standard: ANSI<br>Product number: 99030122 | Mains frequency: 60 Hz<br>Number of poles: 4<br>Enclosure class: IP68<br>Motor protection: THERMAL SWITCH<br>Eta 1/1: 85.4 % |

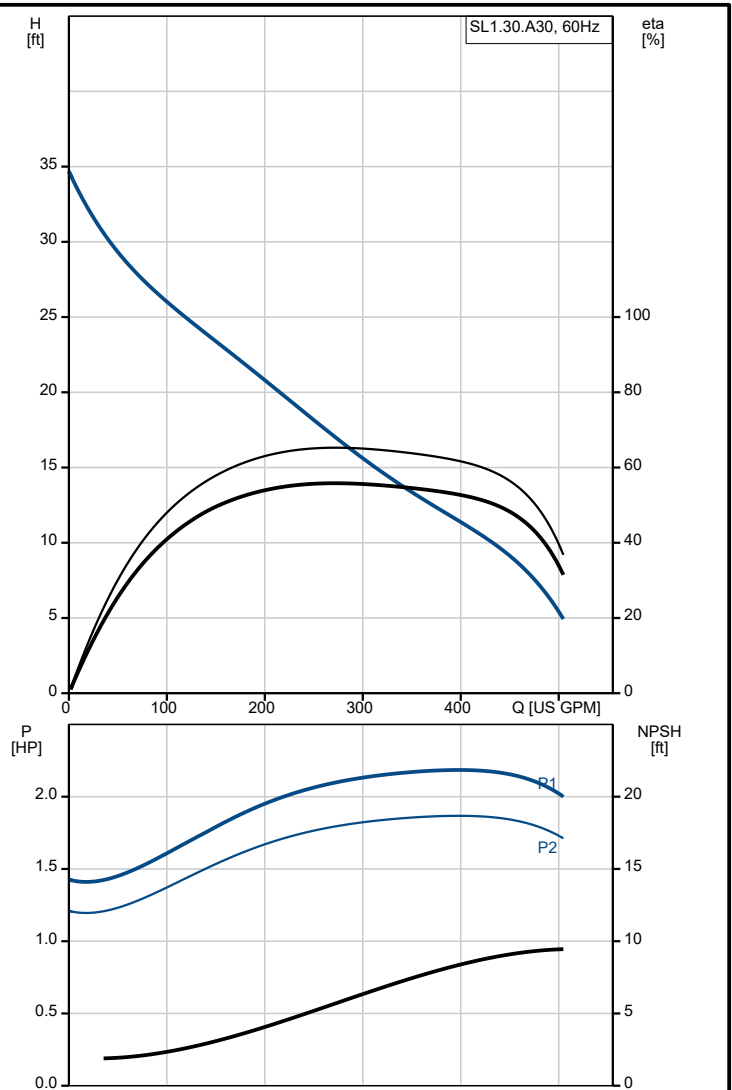




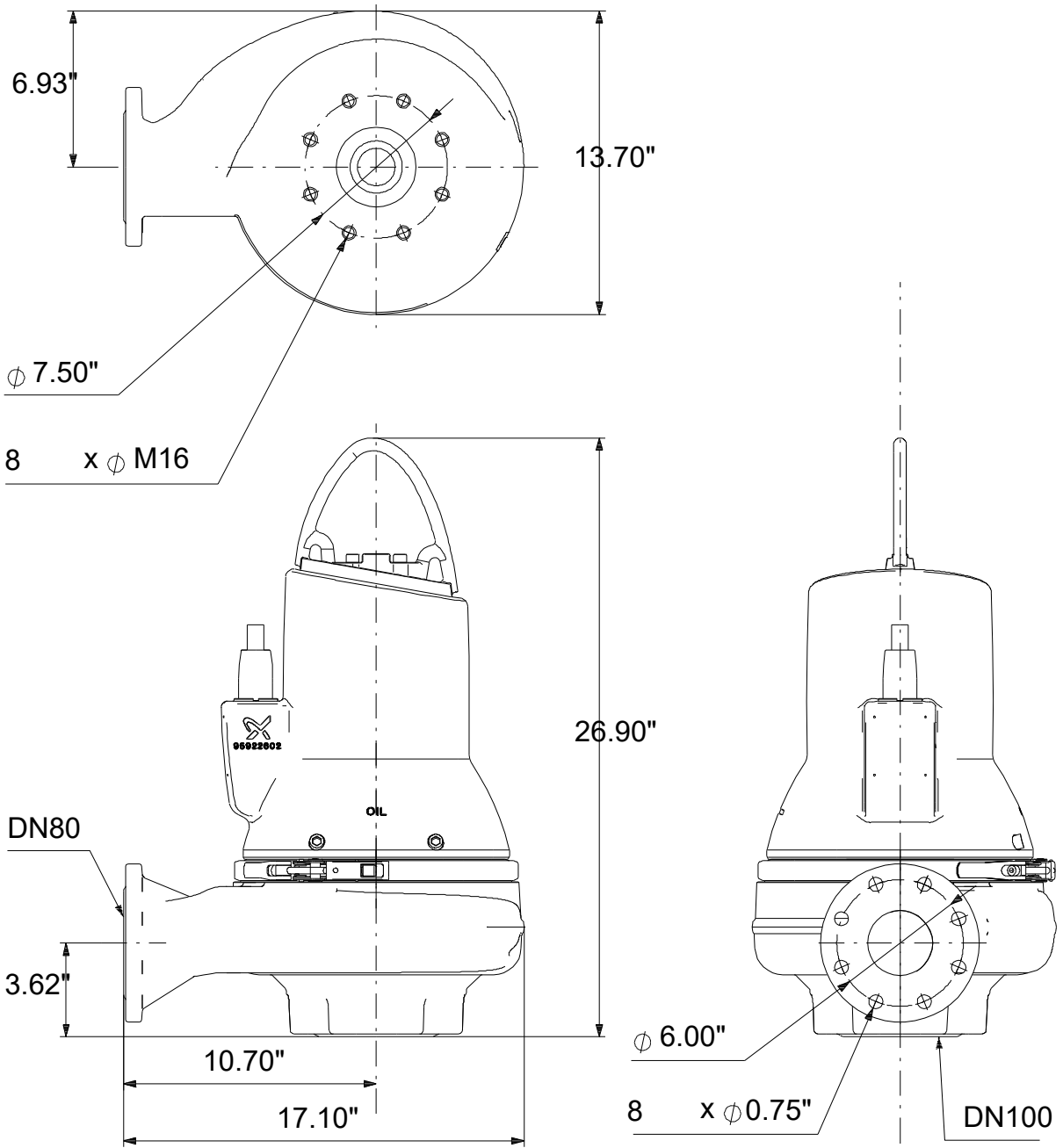
**Materials:**

- Pump housing: Cast iron
- Pump housing: EN 5.1301 EN-GJL-250
- Pump housing: ASTM ASTM A48-250B
- Impeller: Cast iron
- Impeller: ASTM A48-250B
- Impeller: EN 5.1301 EN-GJL-250
- Motor: EN-GJL-250

| Description                    | Value                       |
|--------------------------------|-----------------------------|
| <b>General information:</b>    |                             |
| Product name:                  | SL1.30.A30 .20.EX.4.61R.C   |
| Product No:                    | 99030122                    |
| EAN number:                    | 5712605415428               |
| <b>Technical:</b>              |                             |
| Maximum flow:                  | 506 US GPM                  |
| Maximum head:                  | 34.78 ft                    |
| Type of impeller:              | S-TUBE                      |
| Maximum particle size:         | 3 1/8 in                    |
| Primary shaft seal:            | SIC/SIC                     |
| Approvals on nameplate:        | CSA, FM                     |
| Curve tolerance:               | ANSI/HI11.6:2017 3B2        |
| Cooling jacket:                | without cooling jacket      |
| Rated speed:                   | 1740 rpm                    |
| <b>Materials:</b>              |                             |
| Pump housing:                  | Cast iron                   |
| Pump housing:                  | EN 5.1301 EN-GJL-250        |
| Pump housing:                  | ASTM ASTM A48-250B          |
| Impeller:                      | Cast iron                   |
| Impeller:                      | EN 5.1301 EN-GJL-250        |
| Impeller:                      | ASTM A48-250B               |
| Motor:                         | EN-GJL-250                  |
| <b>Installation:</b>           |                             |
| Range of ambient temperature:  | -4 .. 104 °F                |
| Maximum operating pressure:    | 87.02 psi                   |
| Flange standard:               | ANSI                        |
| Type of inlet connection:      | ANSI                        |
| Type of outlet connection:     | ANSI                        |
| Size of inlet connection:      | DN 100                      |
| Size of outlet connection:     | DN 80                       |
| Pressure rating:               | PN 10                       |
| Maximum installation depth:    | 65.6 ft                     |
| Inst dry/wet:                  | SUBMERGED                   |
| Installation:                  | Vertical                    |
| Auto-coupling:                 | 97626239                    |
| Frame range:                   | B                           |
| <b>Liquid:</b>                 |                             |
| Liquid temperature range:      | 50 .. 104 °F                |
| Density:                       | 62.29 lb/ft <sup>3</sup>    |
| <b>Electrical data:</b>        |                             |
| Power input - P1:              | 1.9 kW                      |
| Rated power - P2:              | 2 HP                        |
| Mains frequency:               | 60 Hz                       |
| Rated voltage [V]:             | 3 x 460 V                   |
| Voltage tolerance:             | +10/-10 %                   |
| Max starts per. hour:          | 20                          |
| Rated current:                 | 6.55/3.75 A                 |
| Starting current:              | 40 A                        |
| Cos phi - power factor:        | 0.76                        |
| Cos phi - p.f. at 3/4 load:    | 0.69                        |
| Cos phi - p.f. at 1/2 load:    | 0.56                        |
| Rated speed:                   | 1740 rpm                    |
| Motor efficiency at full load: | 85.4 %                      |
| Motor efficiency at 3/4 load:  | 85.7 %                      |
| Motor efficiency at 1/2 load:  | 84.2 %                      |
| Number of poles:               | 4                           |
| Start. method:                 | star/delta                  |
| Enclosure class (IEC 34-5):    | IP68                        |
| Insulation class (IEC 85):     | H                           |
| Explosion proof:               | yes                         |
| Built-in motor protection:     | THERMAL SWITCH              |
| Length of power cable:         | 49.2 ft                     |
| Cable type:                    | SEOOW 600V                  |
| <b>Controls:</b>               |                             |
| Control box:                   | not included                |
| Moisture sensor:               | with moisture sensors       |
| Water-in-oil sensor:           | without water-in-oil sensor |
| <b>Others:</b>                 |                             |
| Net weight:                    | 226 lb                      |

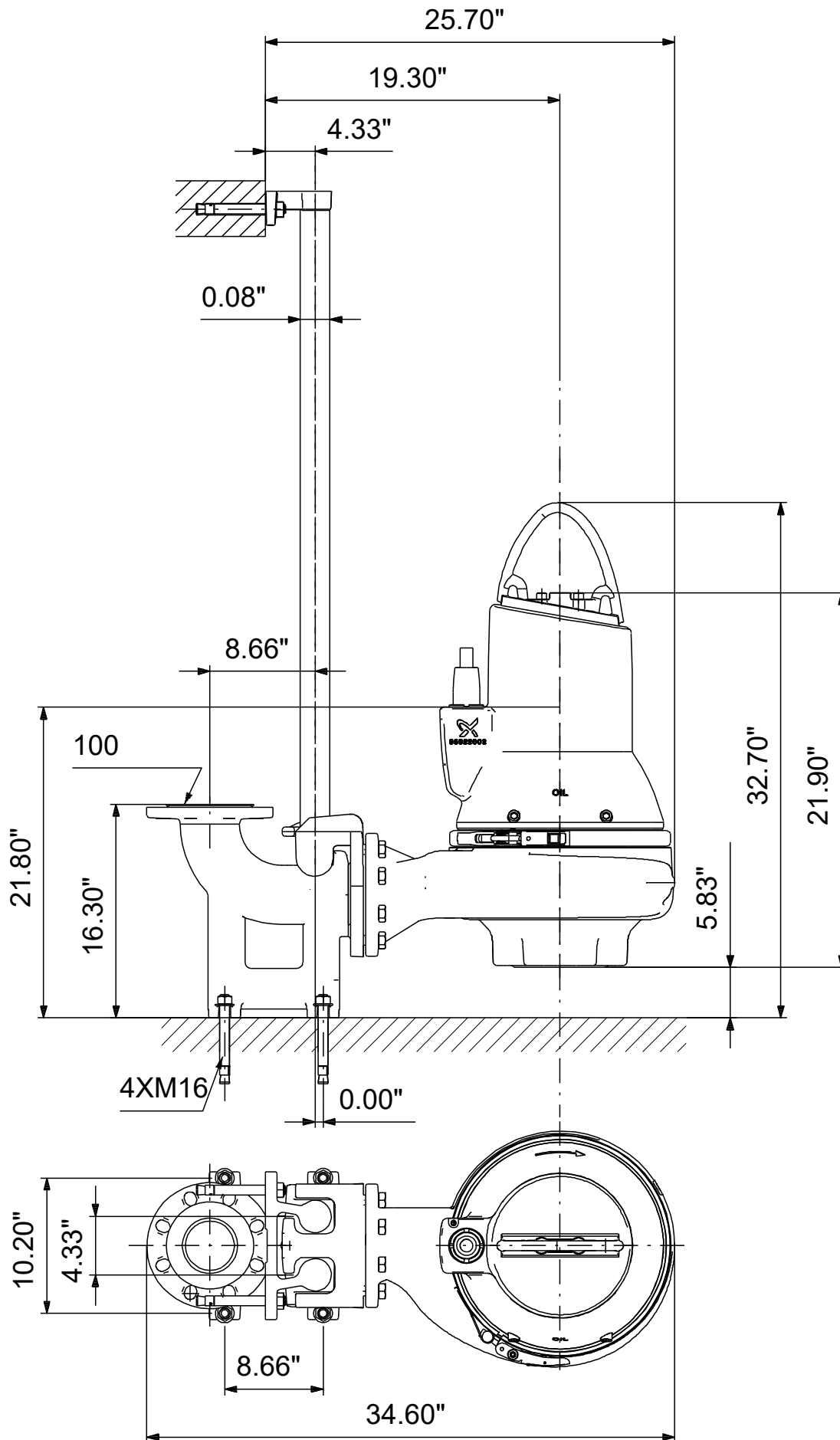


# 99030122 SL1.30.A30 .20.EX.4.61R.C 60 Hz



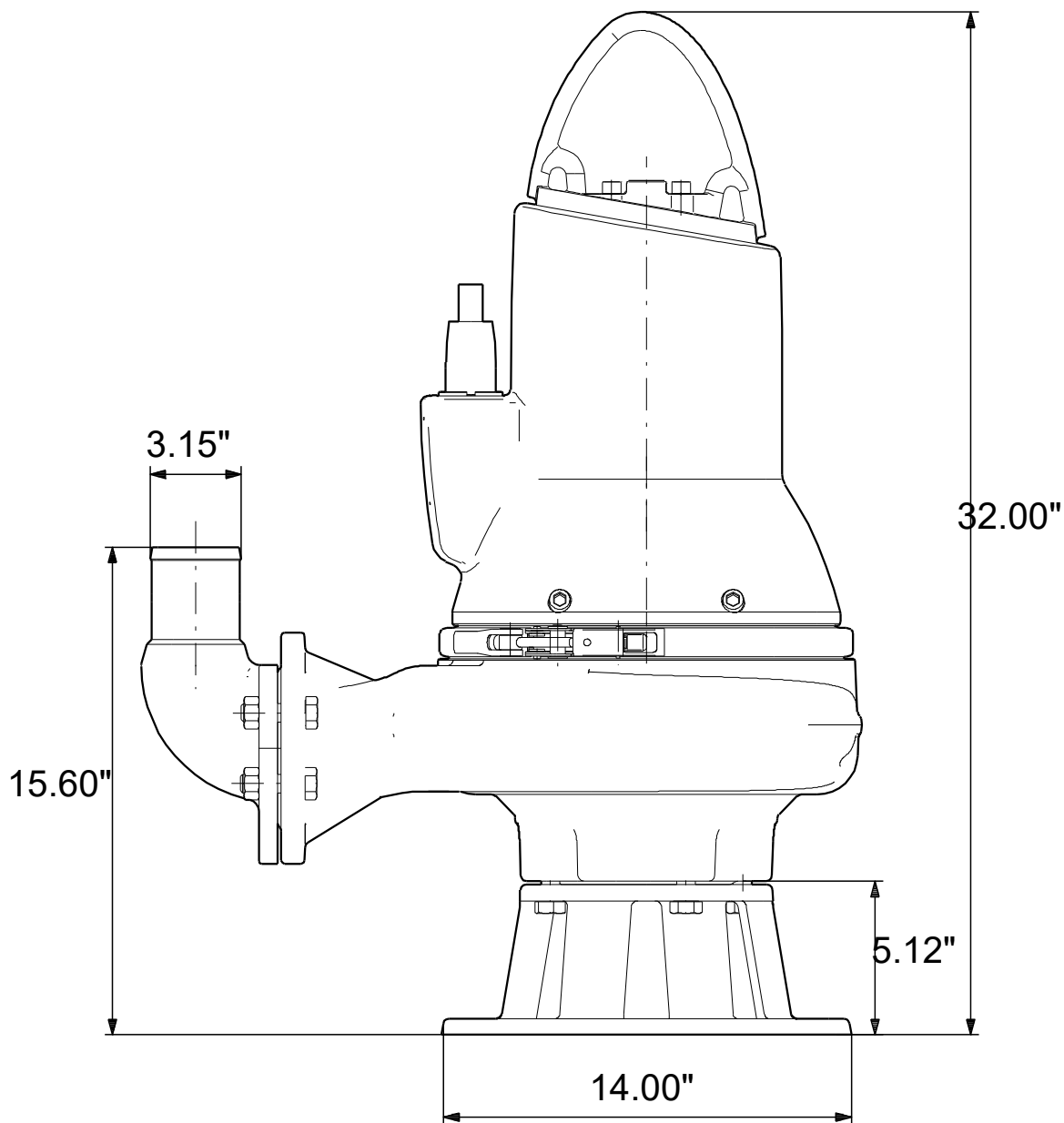
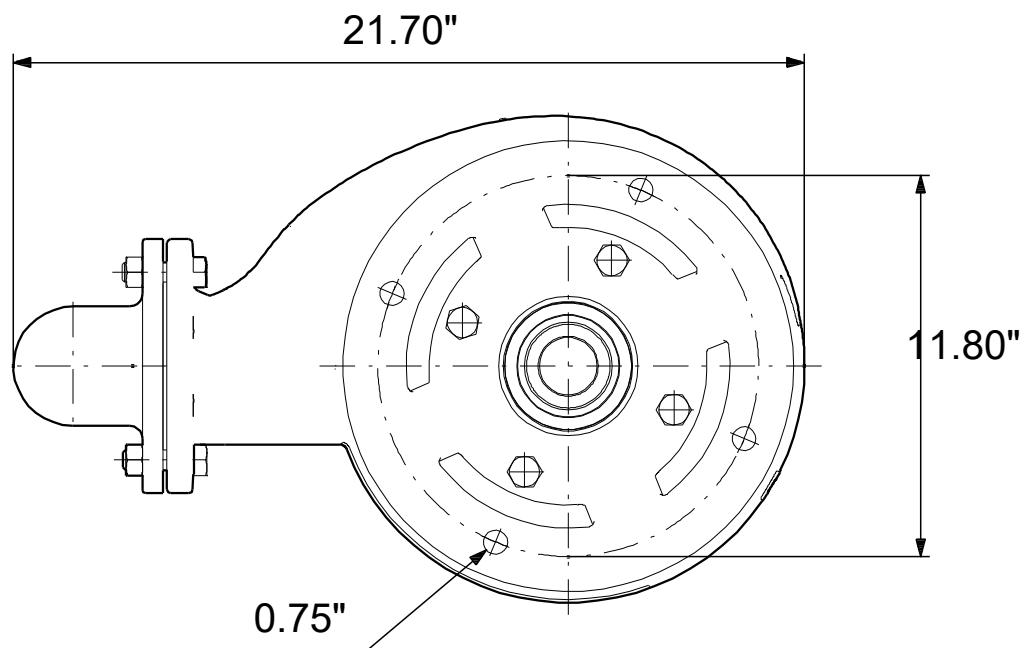
Note! All units are in [in] unless others are stated.  
Disclaimer: This simplified dimensional drawing does not show all details.

# 99030122 SL1.30.A30 .20.EX.4.61R.C 60 Hz

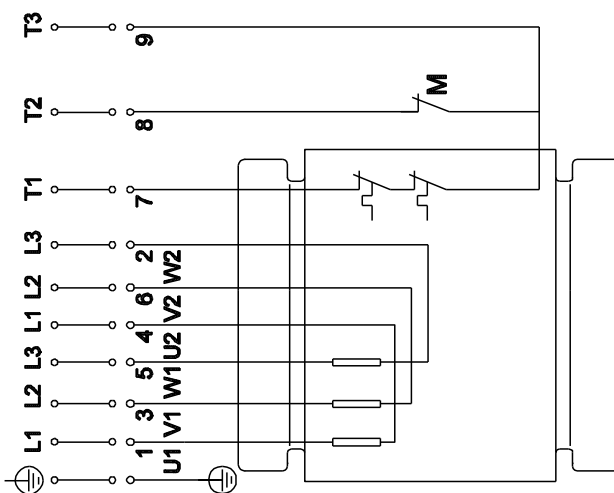
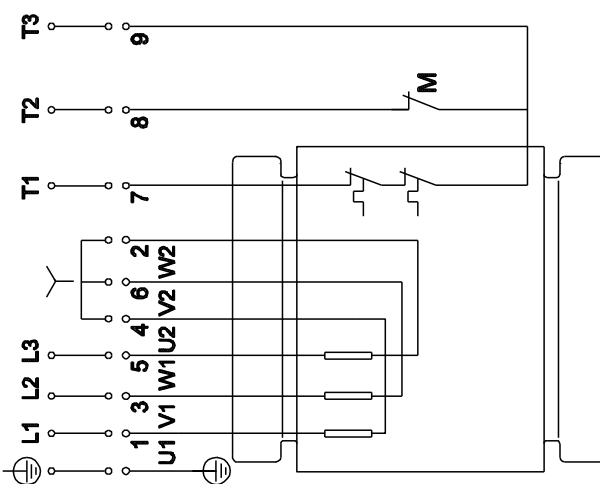
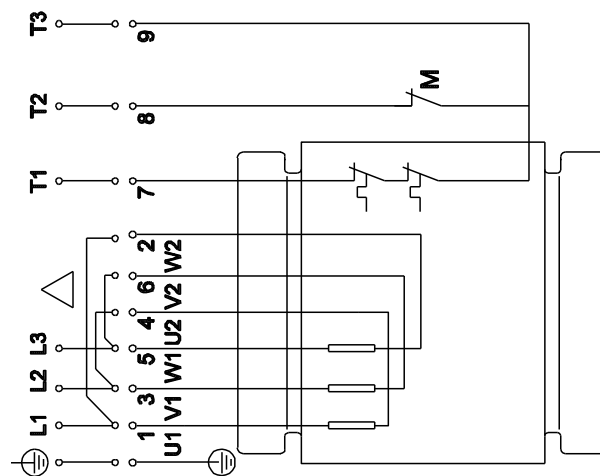
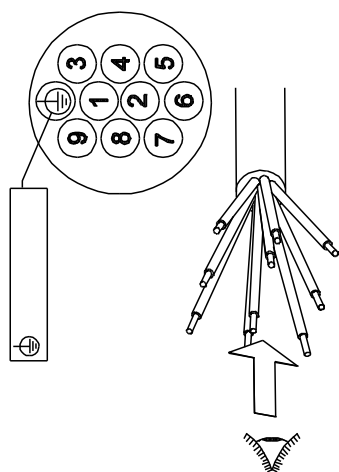


Note! All units are in [in] unless others are stated  
Disclaimer: This simplified dimensional drawing does not show all details.

99030122 SL1.30.A30 .20.EX.4.61R.C 60 Hz



Note! All units are in [in] unless others are stated.  
Disclaimer: This simplified dimensional drawing does not show all details.



Note! All units are in [in] unless others are stated.