


Count	Description
1	<p data-bbox="225 338 421 365">MAGNA3 32-60 F</p> <div data-bbox="276 394 561 651">  </div> <p data-bbox="616 636 1062 660" style="text-align: center;">Product photo could vary from the actual product</p> <p data-bbox="225 667 488 694">Product No.: 98126820</p> <p data-bbox="225 757 1441 831">The Grundfos MAGNA3 circulator pump is the ideal choice for almost any building project – old or new. With its unrivalled energy efficiency, all-encompassing range and built-in communication capabilities, MAGNA3 is ideal for engineers and specifiers looking to create high-performance heating and cooling systems.</p> <p data-bbox="225 842 1449 916">The pump is maintenance-free due to the canned-rotor type design. This also means that pump and motor form an integral unit without shaft seal and with only two gaskets for sealing. The bearings are lubricated by the pumped liquid.</p> <p data-bbox="225 927 1406 981">MAGNA3 features an intuitive display and allows you to connect wirelessly with the Grundfos GO Remote app, giving you access to advanced reporting and monitoring.</p> <p data-bbox="225 992 1441 1046">The pump includes fieldbus communication via CIM modules as well as analog and digital inputs and configurable relays.</p> <p data-bbox="225 1057 1398 1111">Control features include AUTOADAPT and FLOWADAPT. FLOWADAPT which reduces the need for throttling valves, thus cutting costs on system components.</p> <p data-bbox="225 1122 1235 1149">MAGNA3 is the superior choice for a wide range of heating and cooling applications, including:</p> <ul data-bbox="225 1167 619 1308" style="list-style-type: none"> • Mixing loops • Heating surfaces • Air conditioning surfaces • Ground-source heat pump systems • Smaller chiller applications. <p data-bbox="225 1341 1426 1395">MAGNA3 is a single-phase pump and characterised by having the controller and control display integrated in the control box. The pump also has a built-in differential-pressure and temperature sensor.</p> <p data-bbox="225 1406 1426 1480">The pump housing is available in both cast-iron and stainless-steel versions. The composite rotor can be carbon-fibre reinforced, the bearing plate and rotor cladding are made of stainless steel and the stator housing is made of aluminium. The power electronics are air-cooled.</p> <p data-bbox="225 1491 1390 1565">MAGNA3 incorporates a 4-pole synchronous, permanent-magnet motor (PM motor). This motor type is characterised by higher efficiency than a conventional asynchronous squirrel-cage motor. The pump speed is controlled by an integrated frequency converter.</p>



Company name:

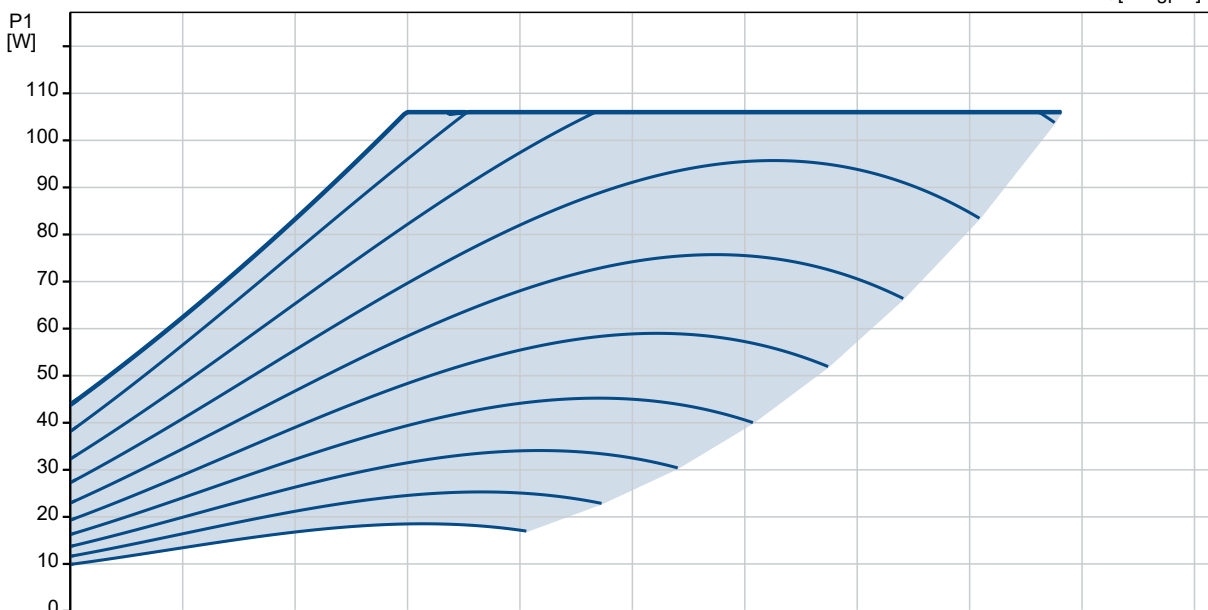
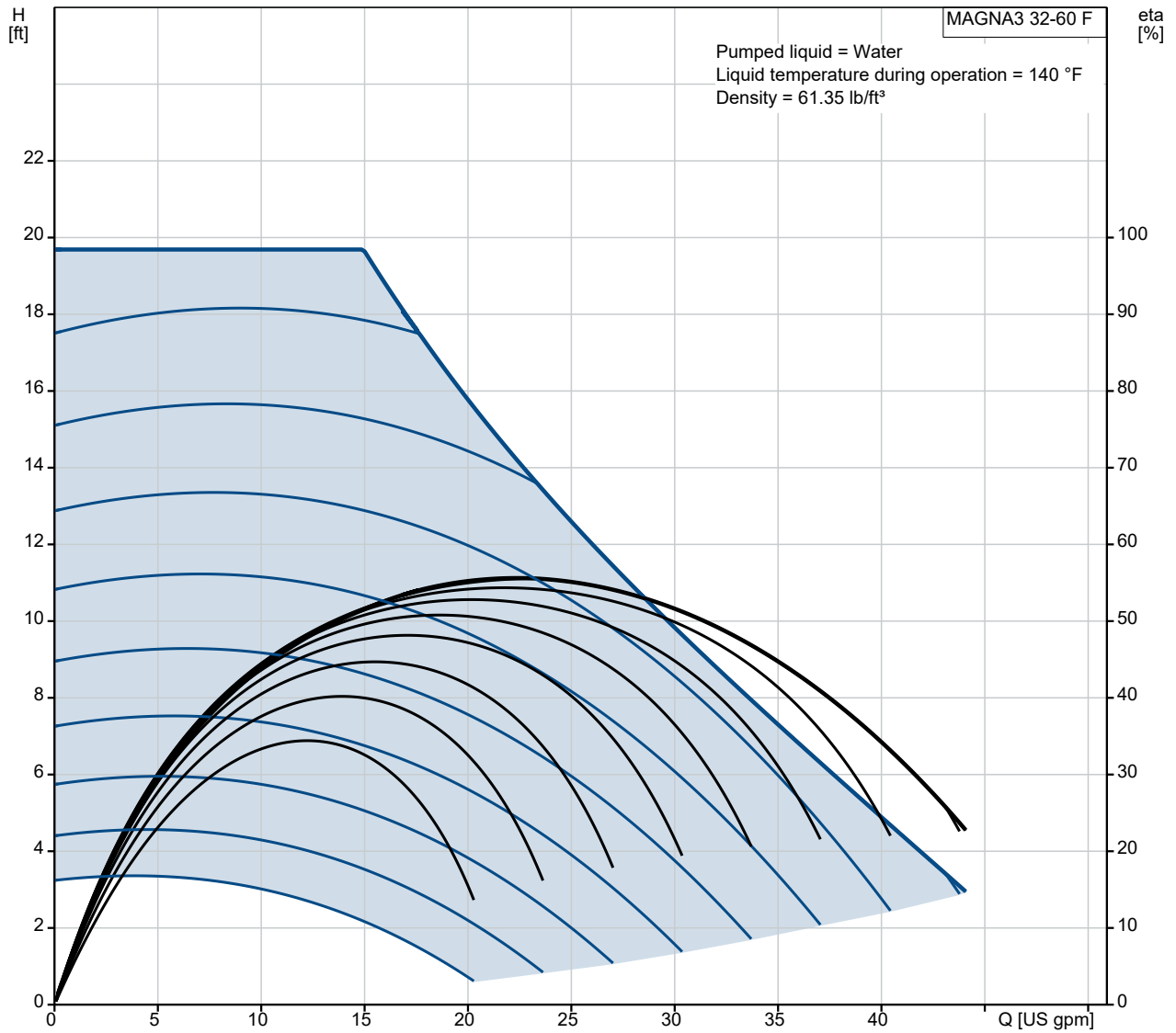
Created by:

Phone:

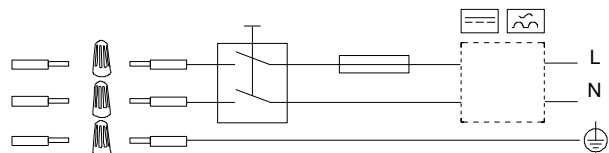
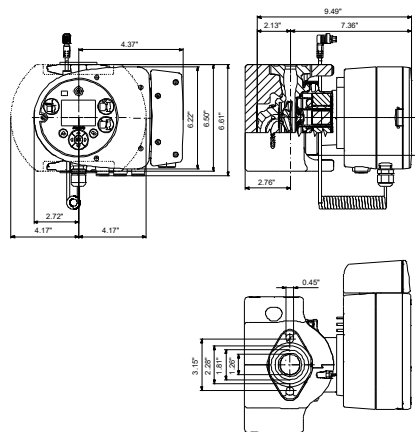
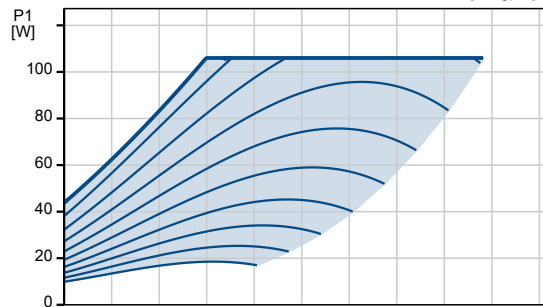
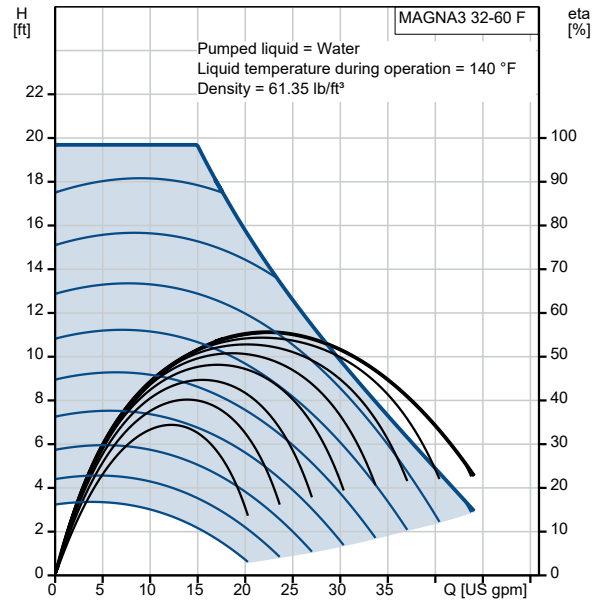
Date:

12/31/2021

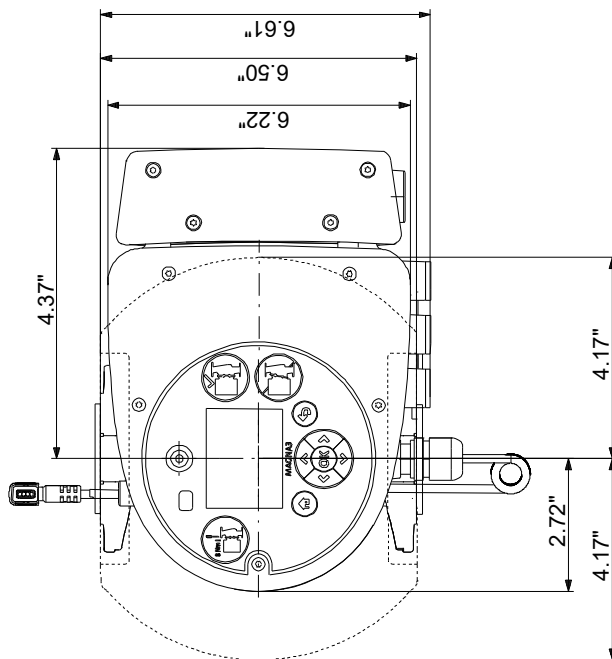
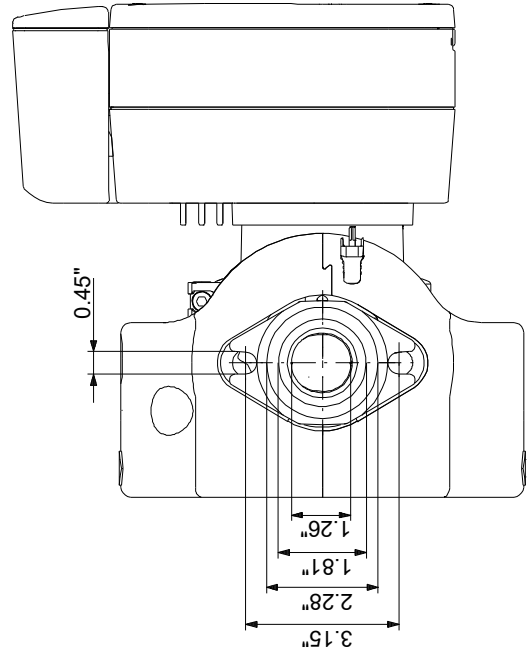
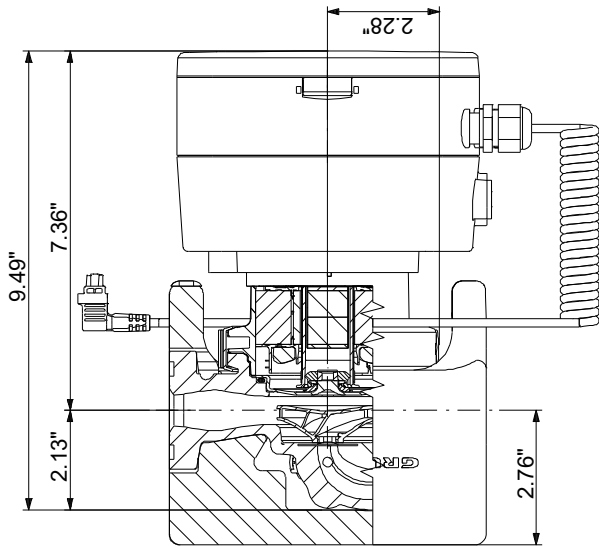
98126820 MAGNA3 32-60 F 60 Hz



Description	Value
General information:	
Product name:	MAGNA3 32-60 F
Product No.:	98126820
EAN:	5710629499820
Technical:	
Rated flow:	22.5 US gpm
Rated head:	12.47 ft
Head max:	19.69 ft
TF class:	110
Approvals on nameplate:	98544605
Model:	D
Materials:	
Pump housing:	Cast iron
Pump housing:	EN-GJL-250
Pump housing:	ASTM A48-250B
Impeller:	PES 30%GF
Installation:	
Range of ambient temperature:	32 .. 104 °F
Maximum operating pressure:	174.05 psi
Flange standard:	GF
Pipe connection:	GF15/26/40/43
Pressure stage:	PN12
Port-to-port length:	6 1/2 in
Liquid:	
Pumped liquid:	Water
Liquid temperature range:	14 .. 230 °F
Selected liquid temperature:	140 °F
Density:	61.35 lb/ft³
Electrical data:	
Power input - P1:	8.45 .. 106 W
Main frequency:	60 Hz
Rated voltage:	1 x 115-230 V
Maximum current consumption:	0.29 .. 1.01 A
Enclosure class (IEC 34-5):	X4D
Insulation class (IEC 85):	F
Others:	
Energy (EEI):	0.19
Net weight:	13.9 lb
Gross weight:	17.3 lb
Shipping volume:	0.74 ft³
Country of origin:	US
Custom tariff no.:	8413.70.2005

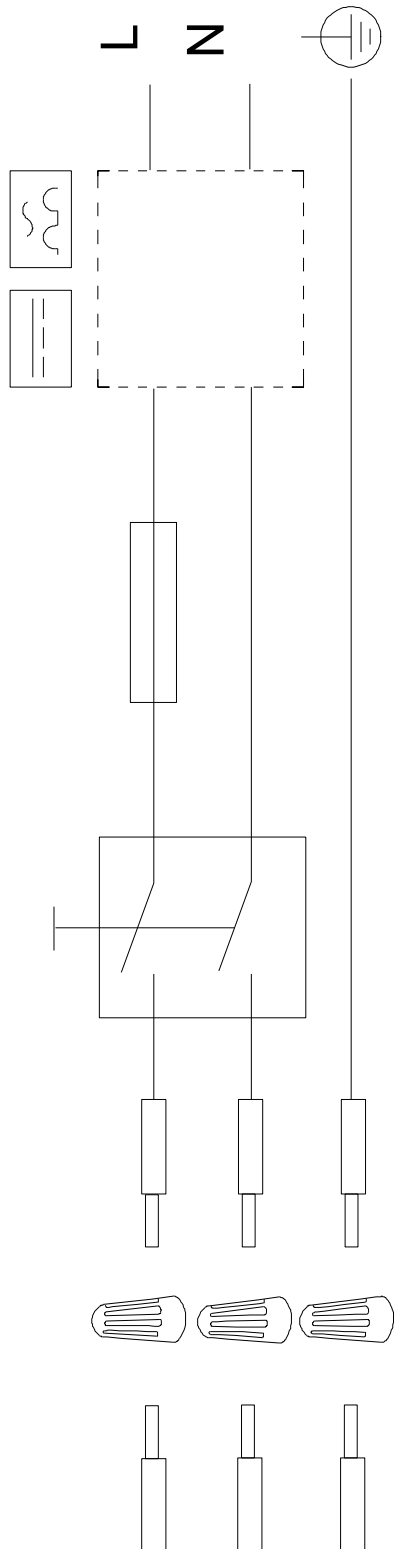


98126820 MAGNA3 32-60 F 60 Hz



Note! All units are in [in] unless otherwise stated.
 Disclaimer: This simplified dimensional drawing does not show all details.

98126820 MAGNA3 32-60 F 60 Hz



All units are [in] unless otherwise presented.