



SUBMITTAL

# GFXA-HP-SERIES

WATER WELL & PRESSURE BOOSTER  
EXPANSION TANKS

**Models:** GFXA-35-HP to GFXA-800L-HP

**Submittal Sheet No.** C-1007C **Rev.** Hurley-2/23/2023

Job Name _____	Submitted By _____	Date _____
Location _____	Approved By _____	Date _____
Engineer _____	Order No. _____	Date _____
Contractor _____	Notes _____	
Sales Rep. _____	_____	

**Description:**

Type GFXA-HP (High Pressure) tanks are ASME replaceable bladder type pre-charged water well & pressure booster expansion tanks for commercial and industrial well and water systems, booster systems, or other potable water applications. They are designed to deliver water under pressure between pump cycles to provide sufficient flow to meet demands. The water is contained in a butyl bladder. All GFXA hydro-pneumatic tanks can be installed vertically or horizontally. Products comply with NSF/ANSI Standard 61.

**Construction:**

- Shell: Carbon Steel
- Heads: Carbon Steel
- Exterior: black painted
- Bladder: Heavy Duty Butyl
  - FDA Approved
  - NSF 61 Listed
- System Connection: Epoxy lined

**Design Parameters:**

Maximum Design Pressure: \_\_\_\_\_  
Temperature Range: -20°F to 240°F

Model Number	Part Number 200 PSI	Part Number 250 PSI	Tank Volume (Gallons)	Tagging Information	Quantity
GFXA-35-HP	99469709	99469754	10		
GFXA-50-HP	99469710	99469755	13		
GFXA-85-HP	99469711	99469757	23		
GFXA-130-HP	99469712	99469758	35		
GFXA-200-HP	99469723	99469759	53		
GFXA-300-HP	99469725	99469760	79		
GFXA-400-HP	99469726	99469761	106		
GFXA-500-HP	99469727	99469762	132		
GFXA-600-HP	99469728	99469763	158		
GFXA-800L-HP	99469730	99469766	211		

**Typical Specification**

Furnish and install, as shown on plans, a \_\_\_\_\_gallon \_\_\_\_\_" diameter X \_\_\_\_\_" (high) precharged steel water well & pressure booster expansion tank with replaceable heavy-duty butyl bladder. The tank shall have NPT epoxy lined system connections and a 0.302!-32 charging valve connection (standard tire valve) to facilitate the on-site charging of the tank to meet system requirements, a pressure gauge, and bladder integrity monitor. The tank must be constructed in accordance with most recent addendum of Section VIII Division 1 of the ASME Boiler and Pressure Vessel Code. Products comply with NSF/ANSI Standard 61. Each tank shall be model number GFXA-\_\_\_\_\_ -HP or approved equal.



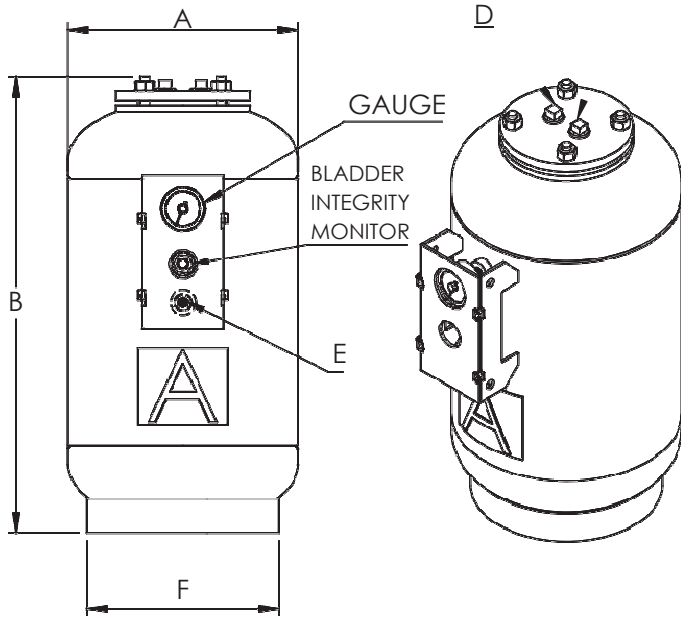
SUBMITTAL

# GFXA-HP-SERIES

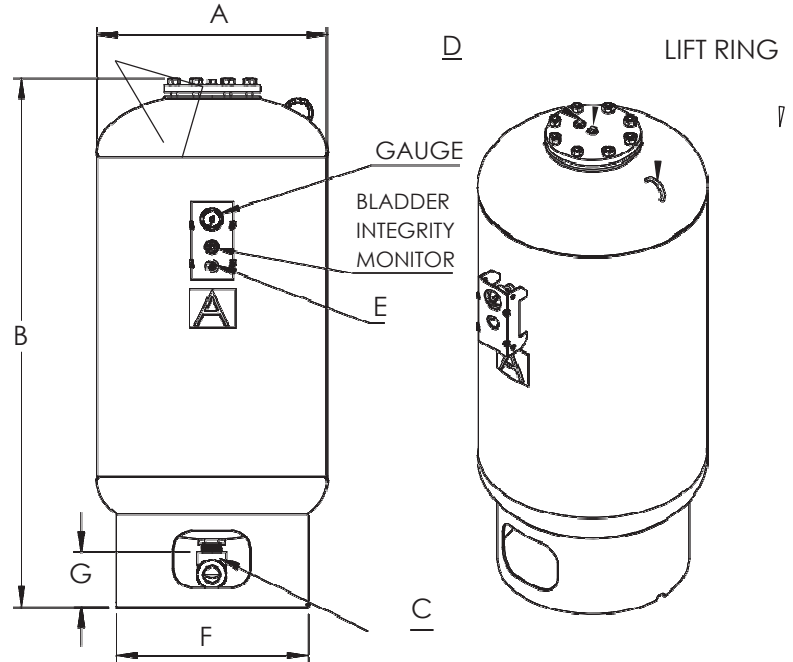
WATER WELL & PRESSURE BOOSTER  
EXPANSION TANKS

Models: GFXA-35-HP to GFXA-800L-HP

Submittal Sheet No. C-1007C Rev. Hurley-2/23/2023



GFXA-35-HP & GFXA 50-HP



GFXA-85-HP TO GFXA-800L-HP

## Dimensions & Weights:

Model Number	Dimensions in Inches						Approx. Shipping Weight (lbs)		
	A	B	System Connections		Charging Valve E	F	G	200 PSI	250 PSI
			C	D					
GFXA-35-HP	12	23 1/2	-	3/4 NPT	0.302'-32NC	10	-	52	53
GFXA-50-HP	14	24	-					59	65
GFXA-85-HP	16	37	1 NPT			5-1/2	95	105	
GFXA-130-HP	20						127	141	
GFXA-200-HP	24	43	1-1/2 NPT			20	5-1/4	194	220
GFXA-300-HP		55						252	282
GFXA-400-HP	30	49	2 NPT			24	5-1/4	336	410
GFXA-500-HP		57						400	512
GFXA-600-HP		65						419	569
GFXA-800L-HP		76						592	711

### Notes:

- Tanks are factory pre-charged at 40 psig and field adjustable.
- California code-sight glass is available upon request.
- Both top and bottom connections (C & D) access the bladder.
- Bottom connection C is intended to be used for main water supply connection. Top connection D can be used for auxiliary gauge, pressure switch, etc.
- Mounting clips are available upon request.