



SUBMITTAL

GFXA-SERIES

WATER WELL & PRESSURE BOOSTER
EXPANSION TANKS

Models: GFXA-1000 to GFXA-15000

Submittal Sheet No. -

Rev. Hurley-2/22/2023

Job Name _____	Submitted By _____	Date _____
Location _____	Approved By _____	Date _____
Engineer _____	Order No. _____	Date _____
Contractor _____	Notes _____	_____
Sales Rep. _____	_____	_____

Description:

Grundfos type GFXA tanks are ASME replaceable bladder type pre-charged water well & pressure booster expansion tanks for commercial and industrial well and water systems, booster systems, or other potable water applications. They are designed to deliver water under pressure between pump cycles to provide sufficient flow to meet demands. The water is contained in a butyl bladder. All GFXA hydro-pneumatic tanks can be installed vertically or horizontally. Products comply with NSF/ANSI Standard 61.

Construction:

Shell: Carbon Steel
 Heads: Carbon Steel
 Exterior: Black painted
 Bladder: Heavy Duty Butyl
 FDA Approved
 NSF 61 Listed
 System Connection: Epoxy lined

Design Parameters:

Maximum Design Pressure: 150PSIG*
 Temperature Range: -20°F to 240°F

*200 & 250 PSIG available

Model Number	Part Number	Tank Volume (Gallons)	Tagging Information	Quantity
GFXA-1000	99469683	264		
GFXA-1200	99469684	317		
GFXA-1400	99469687	370		
GFXA-1600	99469688	422		
GFXA-2000	99469690	528		
GFXA-2500	99469691	660		
GFXA-3000L	99469693	792		
GFXA-3000S	99469695	792		
GFXA-4000	99469698	1056		
GFXA-5000	99469699	1320		
GFXA-7500	99469700	1980		
GFXA-10000	99469702	2640		
GFXA-15000	99469704	3963		

Typical Specification

Furnish and install, as shown on plans, a _____gallon _____" diameter X _____" (high) precharged steel water well & pressure booster expansion tank with replaceable heavy-duty butyl bladder. The tank shall have NPT epoxy lined system connections and a 0.302"-32 charging valve connection (standard fire valve) to facilitate the on-site charging of the tank to meet system requirements, a pressure gauge, and bladder integrity monitor. The tank must be constructed in accordance with most recent addendum of Section VIII Division 1 of the ASME Boiler and Pressure Vessel Code. Products comply with NSF/ANSI Standard 61.

Each tank shall be model number GFXA-_____or approved equal.



SUBMITTAL

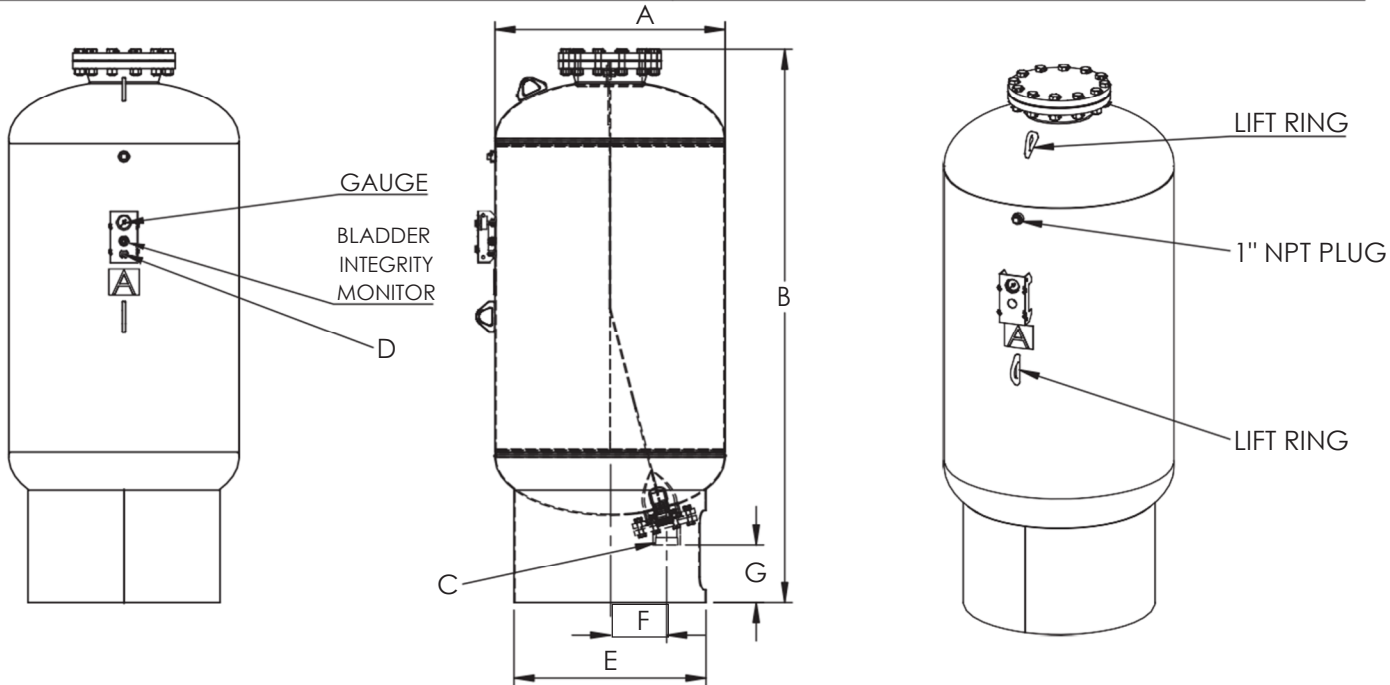
GFXA-SERIES

WATER WELL & PRESSURE BOOSTER
EXPANSION TANKS

Models: GFXA-1000 to GFXA-15000

Submittal Sheet No.

Rev. Hurley-2/22/2023



GFXA-1000 TO GFXA-15000

Dimensions & Weights:

Model Number	Dimensions in Inches							Approx. Shipping Weight (lbs)
	A	B	System Connection C	Charging Valve D	E	F	G	
GFXA-1000	36	87	3	0.302- 32NC	30	8	9 1/8	735
GFXA-1200		98 1/2					8 7/8	745
GFXA-1400		110 1/2					8 7/8	900
GFXA-1600	48	84	4		42	9	9 1/8	1210
GFXA-2000		96					8 7/8	1305
GFXA-2500		110					9	1430
GFXA-3000L	60	133	4		54	10	9	1575
GFXA-3000S		93					9 3/4	2169
GFXA-4000		115					9 7/16	2638
GFXA-5000	72	138	4		60	11	9 7/8	3246
GFXA-7500		140					8	4080
GFXA-10000		172					8	4920
GFXA-15000		243					6000	

Notes:

- Tanks are factory pre-charged at 40 psig and field adjustable.
- California code-sight glass is available upon request.
- Tanks installed horizontally must have the system connection below the horizontal centerline of the tank.
- Mounting clips are available upon request.