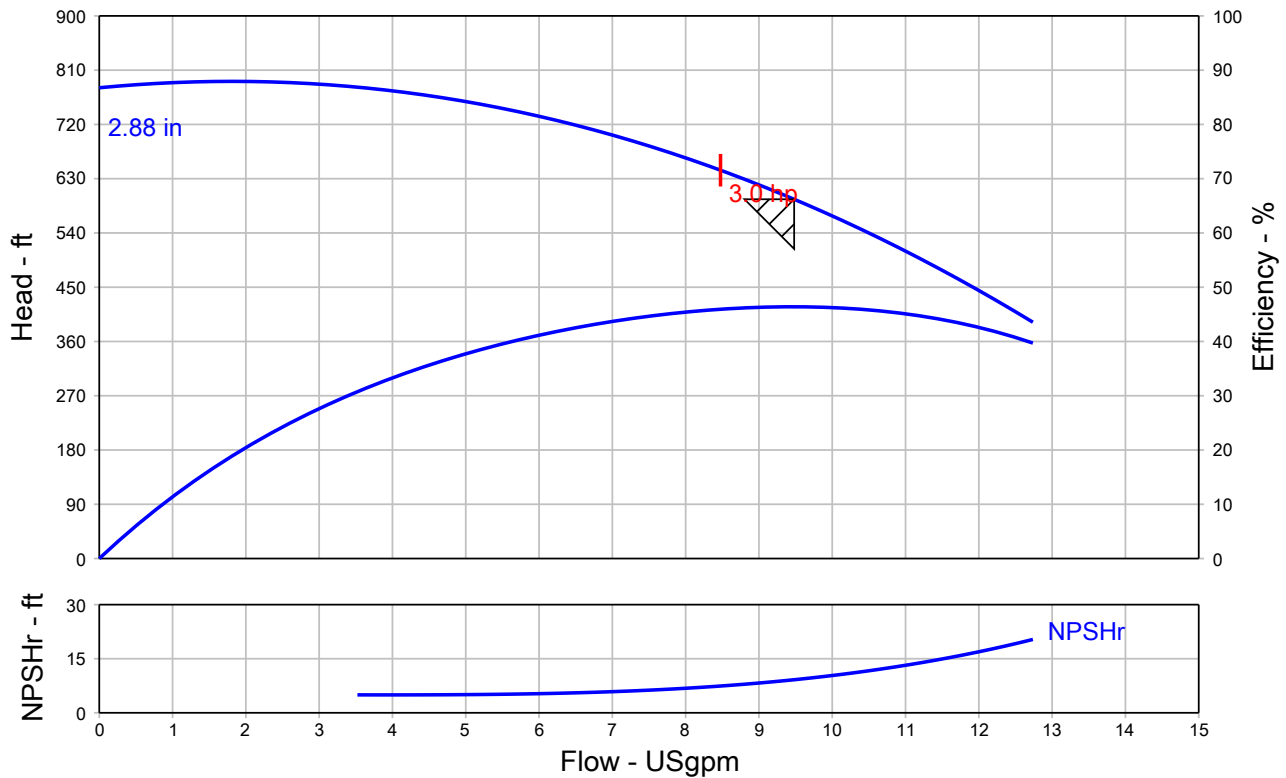


Pump Performance Datasheet

| | | |
|----------------------|-------------------------|------------------------------|
| Customer : | Quote Number / ID : | 1471203 |
| Customer ref. / PO : | Model : | CR 1-27-1ph |
| Tag Number : 001 | Stages : | 27 |
| Service : | Based on curve number : | CR 1-27_1Phase Rev June_2020 |
| Quantity : 1 | Basic model number : | - |
| | Date last saved : | 11/28/2022 2:05 PM |

| Operating Conditions | | Liquid | |
|---|---------------------|-------------------------------|--------------------|
| Flow, rated | : 9.48 USgpm | Liquid type | : Cold Water |
| Differential head / pressure, rated (requested) | : 595.9 ft | Additional liquid description | : |
| Differential head / pressure, rated (actual) | : 595.9 ft | Temperature, max | : 68.00 deg F |
| Suction pressure, rated / max | : 0.00 / 0.00 psi.g | Fluid density, rated / max | : 1.000 / 1.000 SG |
| NPSH available, rated | : Ample | Viscosity, rated | : 1.00 cP |
| Site Supply Frequency | : 60 Hz | Vapor pressure, rated | : 0.34 psi.a |

| Performance | | Material | |
|--|-----------------------------|---|-------------------------------|
| Speed, rated | : 3457 rpm | Material selected | : Standard - Cast Iron / 304 |
| Efficiency | : 46.40 % | | Stainless Steel |
| NPSH required / margin required | : 9.17 / 0.00 ft | Pressure Data | |
| nq (imp. eye flow) / S (imp. eye flow) | : 20 / 39 Metric units | Maximum working pressure | : 342.5 psi.g |
| MCSF | : 0.95 USgpm | Maximum allowable working pressure | : N/A |
| Head, maximum, rated diameter | : 791.4 ft | Maximum allowable suction pressure | : N/A |
| Head rise to shutoff | : 31.04 % | Hydrostatic test pressure | : N/A |
| Flow, best eff. point | : 9.46 USgpm | Driver & Power Data (@Max density) | |
| Flow ratio, rated / BEP | : 100.24 % | Motor sizing specification | : Max power (non-overloading) |
| Diameter ratio (rated / max) | : 100.00 % | Margin over specification | : 0.00 % |
| Head ratio (rated dia / max dia) | : 100.00 % | Service factor | : 1.15 (used) |
| Cq/Ch/Ce/Cn [ANSI/HI 9.6.7-2010] | : 1.00 / 1.00 / 0.95 / 1.00 | Power, hydraulic | : 1.43 hp |
| Selection status | : Acceptable | Rated power (based on duty point) | : 3.07 hp |
| Energy Indexes | | Max power (non-overloading) | : 3.17 hp |
| PEI (CL) | : Out of scope | Motor rating | : 3.00 hp / 2.24 kW (Fixed) |
| ER (CL) | : Out of scope | KVA Code | : - |
| | | Rated Current new | : 24.2 / 19.7 - 12.1 A |



Grundfos Series CR - Multi-stage, Vertical In-Line Pump

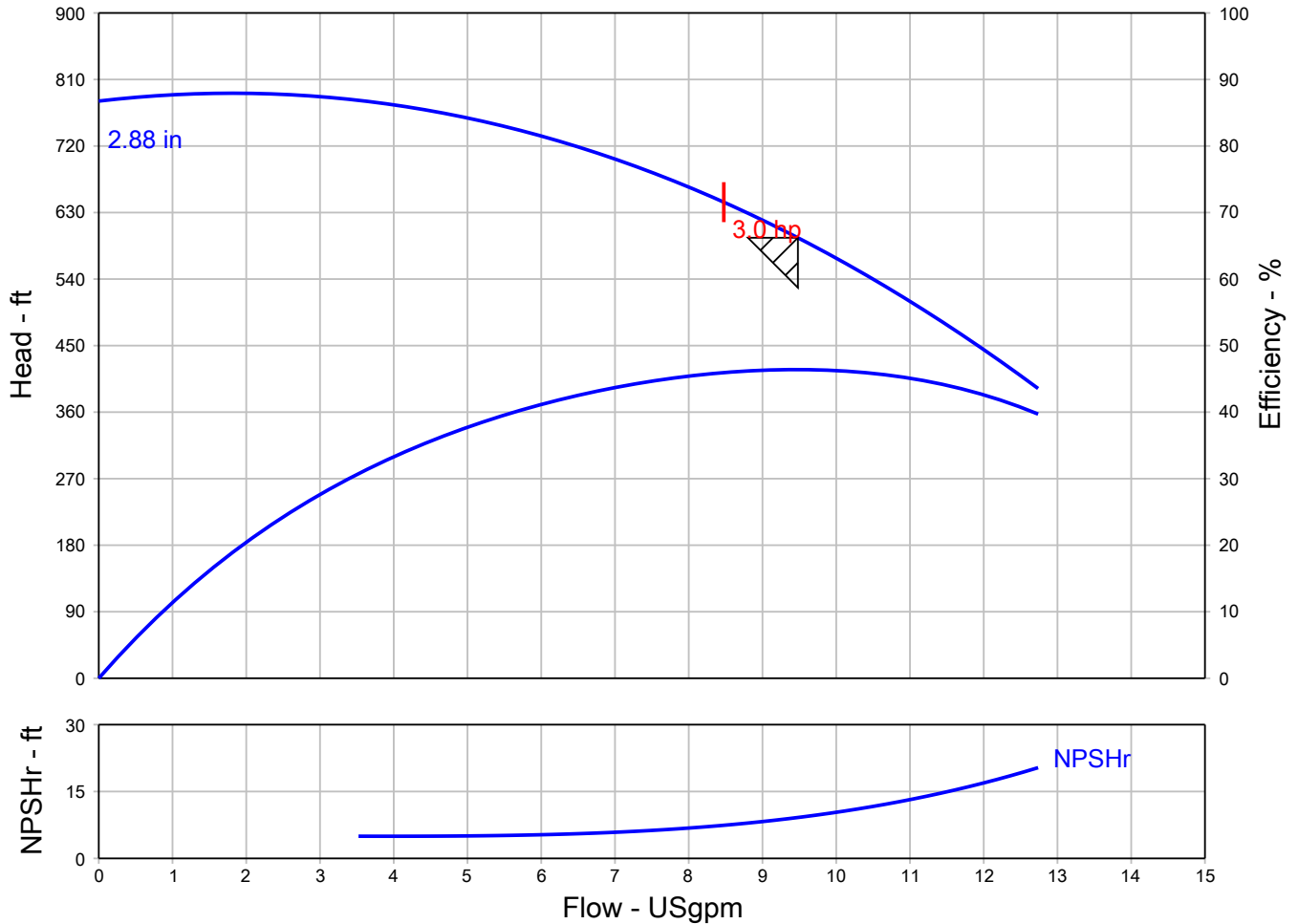
| | | |
|---------------------------|--------------|------------|
| QUOTE NUMBER / ID 1471203 | UNIT TAG 001 | QUANTITY 1 |
| REPRESENTATIVE | SERVICE | DATE |
| ENGINEER | SUBMITTED BY | DATE |
| CONTRACTOR | APPROVED BY | DATE |
| | ORDER # | DATE |



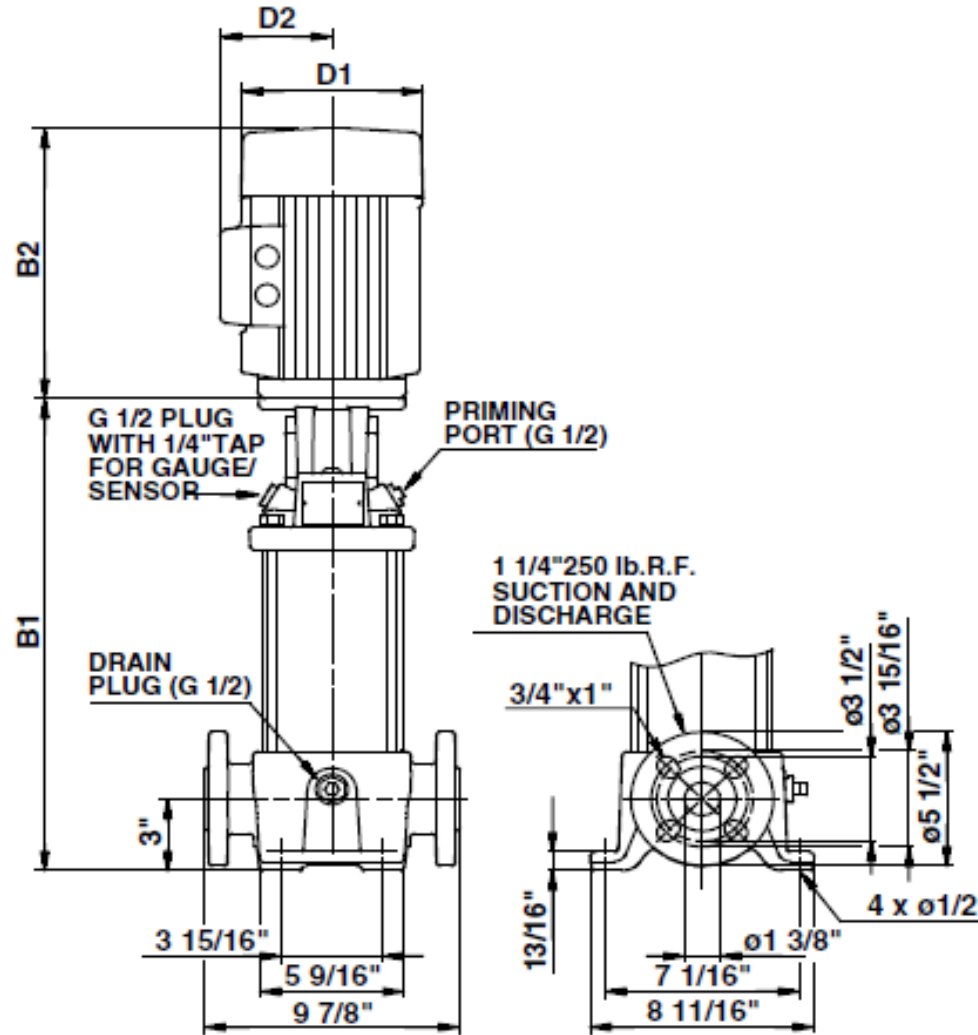
CR 1-27-1ph
3457 rpm

Part Number 99915851

| Conditions of Service | | Pump Data | | Motor Data | |
|-----------------------|-------------|-----------------|--------------|------------|---------------|
| Flow | 9.48 USgpm | Stages | 27 | Motor HP | 3 HP |
| Head | 595.9 ft | Stages Reduced | 0 | BHP | 3.07 HP |
| Liquid | Cold Water | Pipe Connection | ANSI Flanged | Enclosure | TEFC |
| Temperature | 68.00 deg F | Efficiency | 46.4 % | Voltage | 115/208-230 V |
| NPSHr | 9.17 ft | Suction | 1.25 in. | Phase | 1 Phase |
| Viscosity | 1.00 cP | Discharge | 1.25 in. | Cycle | 60 |
| Specific Gravity | 1.000 SG | Shaft Seal Type | HQQE (EPDM) | | |
| | | NSF 61 Approval | Yes | | |
| | | PEI (CL) | Out of Scope | | |
| | | ER (CL) | Out of Scope | | |



Grundfos Series CR - Multi-stage, Vertical In-Line Pump



TM03 1451 2205

NOT FOR CONSTRUCTION, unless certified and referenced on order

| Units | B1 | B1 + B2 | D1 | D2 | Weight |
|--------|-------|---------|------|------|-----------|
| inches | 30.08 | 46.55 | 9.45 | 8.06 | 133.2 lbs |