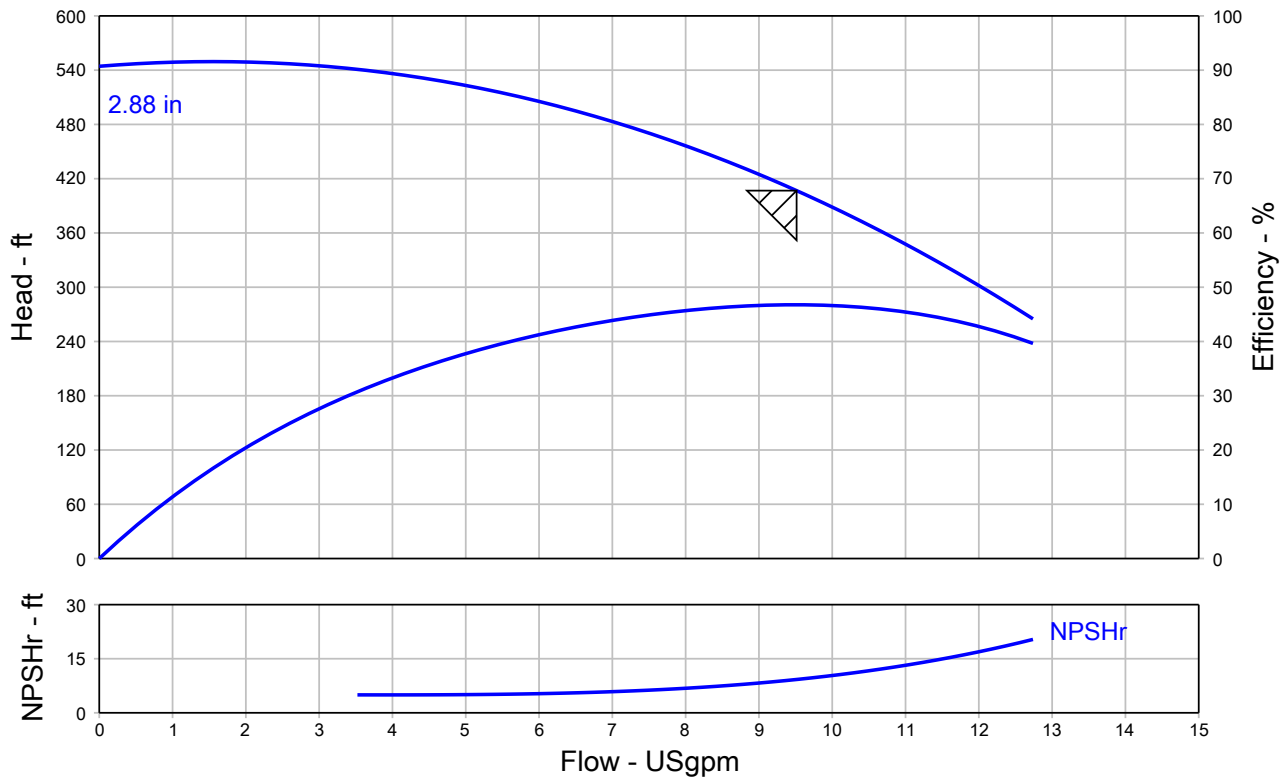


Pump Performance Datasheet

Customer :	Quote Number / ID : 1471203	
Customer ref. / PO :	Model : CR 1-19-1ph	
Tag Number : 001	Stages : 19	
Service :	Based on curve number : CR 1-19_1Phase Rev June_2020	
Quantity : 1	Basic model number : -	
	Date last saved : 11/28/2022 1:54 PM	
Operating Conditions		
Flow, rated : 9.51 USgpm	Liquid type : Cold Water	
Differential head / pressure, rated (requested) : 406.8 ft	Additional liquid description :	
Differential head / pressure, rated (actual) : 406.8 ft	Temperature, max : 68.00 deg F	
Suction pressure, rated / max : 0.00 / 0.00 psi.g	Fluid density, rated / max : 1.000 / 1.000 SG	
NPSH available, rated : Ample	Viscosity, rated : 1.00 cP	
Site Supply Frequency : 60 Hz	Vapor pressure, rated : 0.34 psi.a	
Performance		
Speed, rated : 3499 rpm	Material selected : Standard - Cast Iron / 304	
Efficiency : 46.77 %	Stainless Steel	
NPSH required / margin required : 9.24 / 0.00 ft	Pressure Data	
nq (imp. eye flow) / S (imp. eye flow) : 21 / 39 Metric units	Maximum working pressure : 237.8 psi.g	
MCSF : 0.95 USgpm	Maximum allowable working pressure : N/A	
Head, maximum, rated diameter : 549.5 ft	Maximum allowable suction pressure : N/A	
Head rise to shutoff : 33.80 %	Hydrostatic test pressure : N/A	
Flow, best eff. point : 9.49 USgpm	Driver & Power Data (@Max density)	
Flow ratio, rated / BEP : 100.23 %	Motor sizing specification : Max power (non-overloading)	
Diameter ratio (rated / max) : 100.00 %	Margin over specification : 0.00 %	
Head ratio (rated dia / max dia) : 100.00 %	Service factor : 1.15 (used)	
Cq/Ch/Ce/Cn [ANSI/HI 9.6.7-2010] : 1.00 / 1.00 / 0.95 / 1.00	Power, hydraulic : 0.98 hp	
Selection status : Acceptable	Rated power (based on duty point) : 2.09 hp	
Energy Indexes		Max power (non-overloading) : 2.15 hp
PEI (CL) : Out of scope	Motor rating : 3.00 hp / 2.24 kW (Fixed)	
ER (CL) : Out of scope	KVA Code : -	
	Rated Current new : 24.2 / 19.7 - 12.1 A	



Grundfos Series CR - Multi-stage, Vertical In-Line Pump

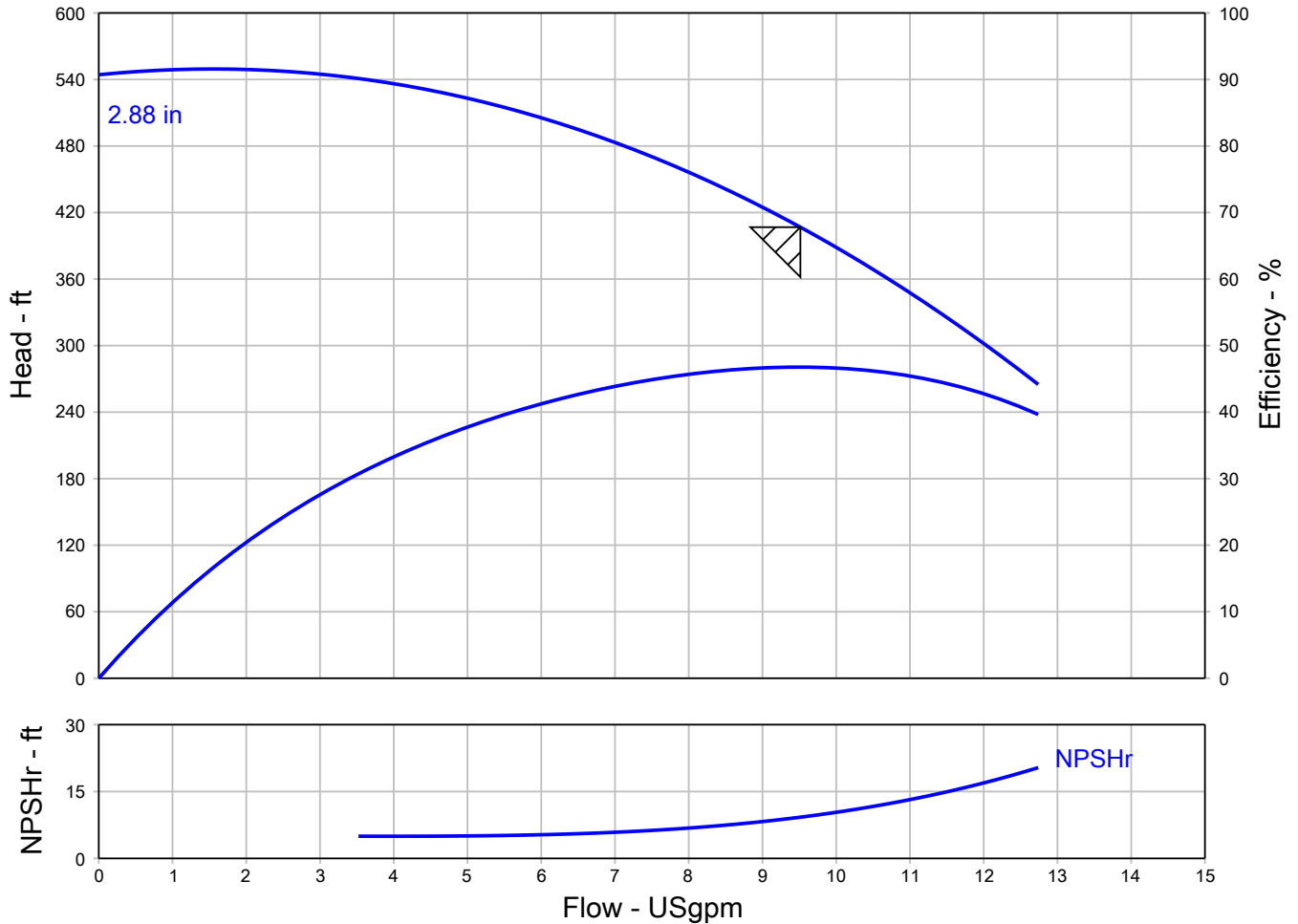
QUOTE NUMBER / ID 1471203	UNIT TAG 001	QUANTITY 1
REPRESENTATIVE	SERVICE	
ENGINEER	SUBMITTED BY	DATE
CONTRACTOR	APPROVED BY	DATE
	ORDER #	DATE



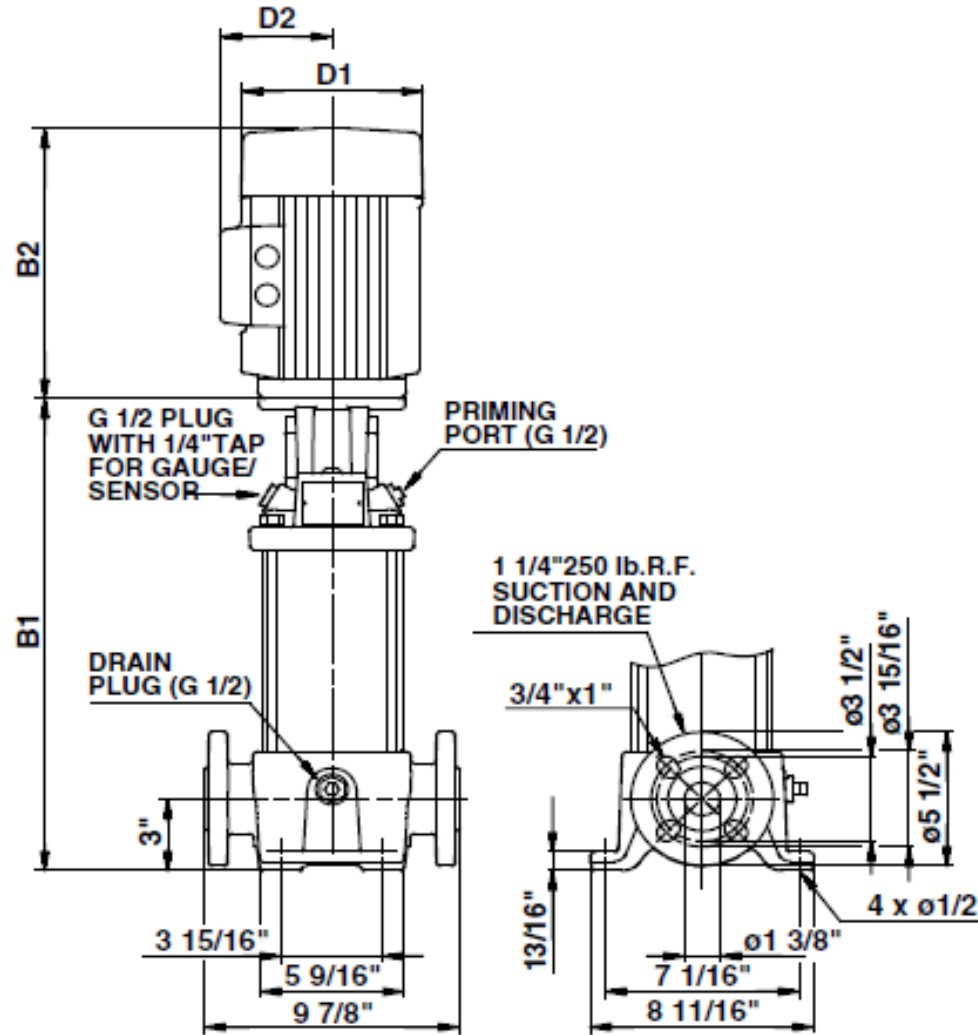
CR 1-19-1ph
3499 rpm

Part Number 99915847

Conditions of Service		Pump Data		Motor Data	
Flow	9.51 USgpm	Stages	19	Motor HP	3 HP
Head	406.8 ft	Stages Reduced	0	BHP	2.09 HP
Liquid	Cold Water	Pipe Connection	ANSI Flanged	Enclosure	TEFC
Temperature	68.00 deg F	Efficiency	46.77 %	Voltage	115/208-230 V
NPSHr	9.24 ft	Suction	1.25 in.	Phase	1 Phase
Viscosity	1.00 cP	Discharge	1.25 in.	Cycle	60
Specific Gravity	1.000 SG	Shaft Seal Type	HQQE (EPDM)		
		NSF 61 Approval	Yes		
		PEI (CL)	Out of Scope		
		ER (CL)	Out of Scope		



Grundfos Series CR - Multi-stage, Vertical In-Line Pump



TM03 1451 2205

NOT FOR CONSTRUCTION, unless certified and referenced on order

Units	B1	B1 + B2	D1	D2	Weight
inches	24.41	40.88	9.45	8.06	126 lbs