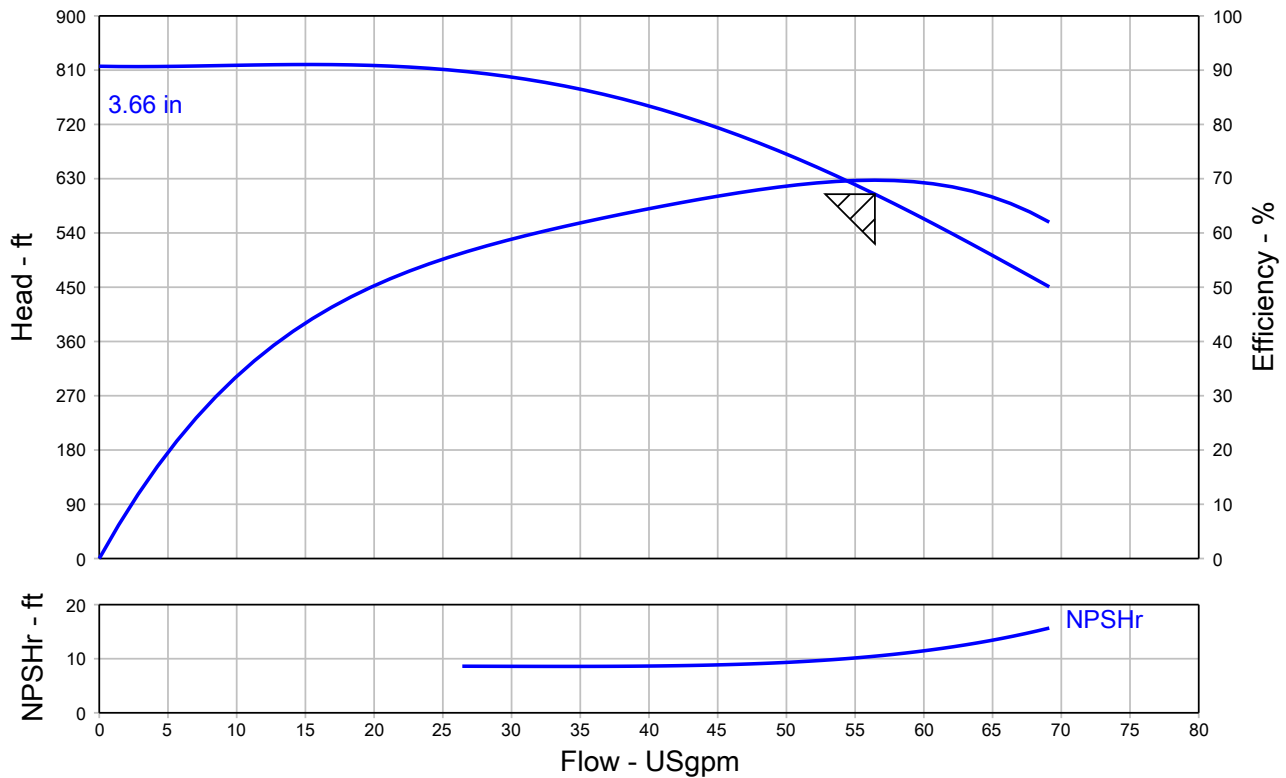


## Pump Performance Datasheet

Customer :	Quote Number / ID : 1471203	
Customer ref. / PO :	Model : CR 10-17	
Tag Number : 001	Stages : 17	
Service :	Based on curve number : CR 10-17_3Phase Rev June_2020	
Quantity : 1	Basic model number : -	
	Date last saved : 11/28/2022 5:52 PM	
Operating Conditions		
Flow, rated : 56.44 USgpm	Liquid type : Cold Water	
Differential head / pressure, rated (requested) : 604.3 ft	Additional liquid description :	
Differential head / pressure, rated (actual) : 604.3 ft	Temperature, max : 68.00 deg F	
Suction pressure, rated / max : 0.00 / 0.00 psi.g	Fluid density, rated / max : 1.000 / 1.000 SG	
NPSH available, rated : Ample	Viscosity, rated : 1.00 cP	
Site Supply Frequency : 60 Hz	Vapor pressure, rated : 0.34 psi.a	
Performance		
Speed, rated : 3444 rpm	Material selected : Standard - Cast Iron / 304	
Efficiency : 69.73 %	Stainless Steel	
NPSH required / margin required : 10.46 / 0.00 ft	Pressure Data	
nq (imp. eye flow) / S (imp. eye flow) : 34 / 86 Metric units	Maximum working pressure : 354.6 psi.g	
MCSF : 5.64 USgpm	Maximum allowable working pressure : N/A	
Head, maximum, rated diameter : 819.4 ft	Maximum allowable suction pressure : N/A	
Head rise to shutoff : 35.11 %	Hydrostatic test pressure : N/A	
Flow, best eff. point : 56.44 USgpm	Driver & Power Data (@Max density)	
Flow ratio, rated / BEP : 100.00 %	Motor sizing specification : Max power (non-overloading)	
Diameter ratio (rated / max) : 100.00 %	Margin over specification : 0.00 %	
Head ratio (rated dia / max dia) : 100.00 %	Service factor : 1.15 (used)	
Cq/Ch/Ce/Cn [ANSI/HI 9.6.7-2010] : 1.00 / 1.00 / 1.00 / 1.00	Power, hydraulic : 8.61 hp	
Selection status : Acceptable	Rated power (based on duty point) : 12.35 hp	
Energy Indexes		Max power (non-overloading) : 12.68 hp
PEI (CL) : 0.87	Motor rating : 15.00 hp / 11.19 kW (Fixed)	
ER (CL) : 13	KVA Code : -	
	Rated Current new : 37.6 - 34.0 / 17 A	



## Grundfos Series CR - Multi-stage, Vertical In-Line Pump

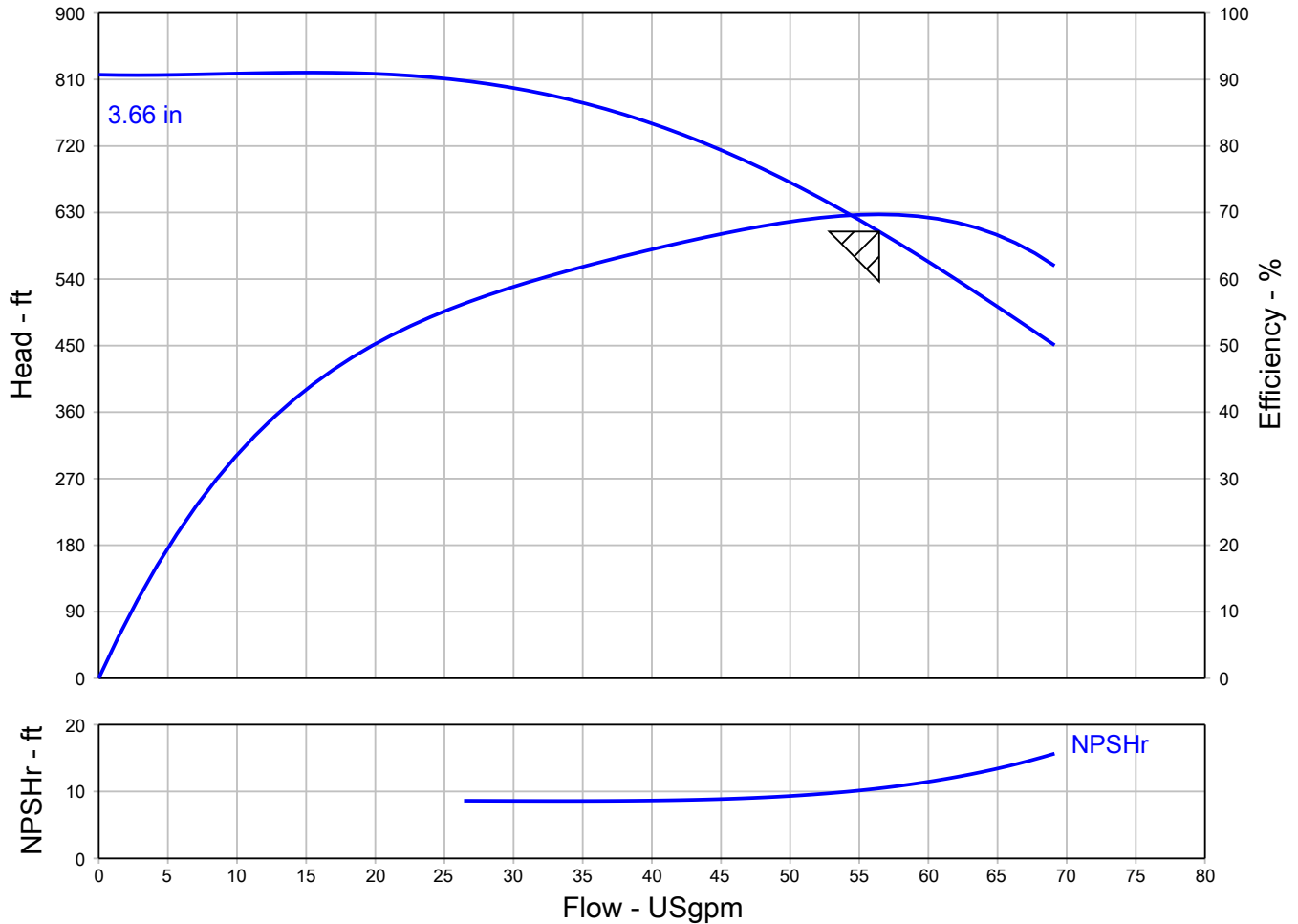
QUOTE NUMBER / ID 1471203	UNIT TAG 001	QUANTITY 1
REPRESENTATIVE	SERVICE	
ENGINEER	SUBMITTED BY	DATE
CONTRACTOR	APPROVED BY	DATE
	ORDER #	DATE



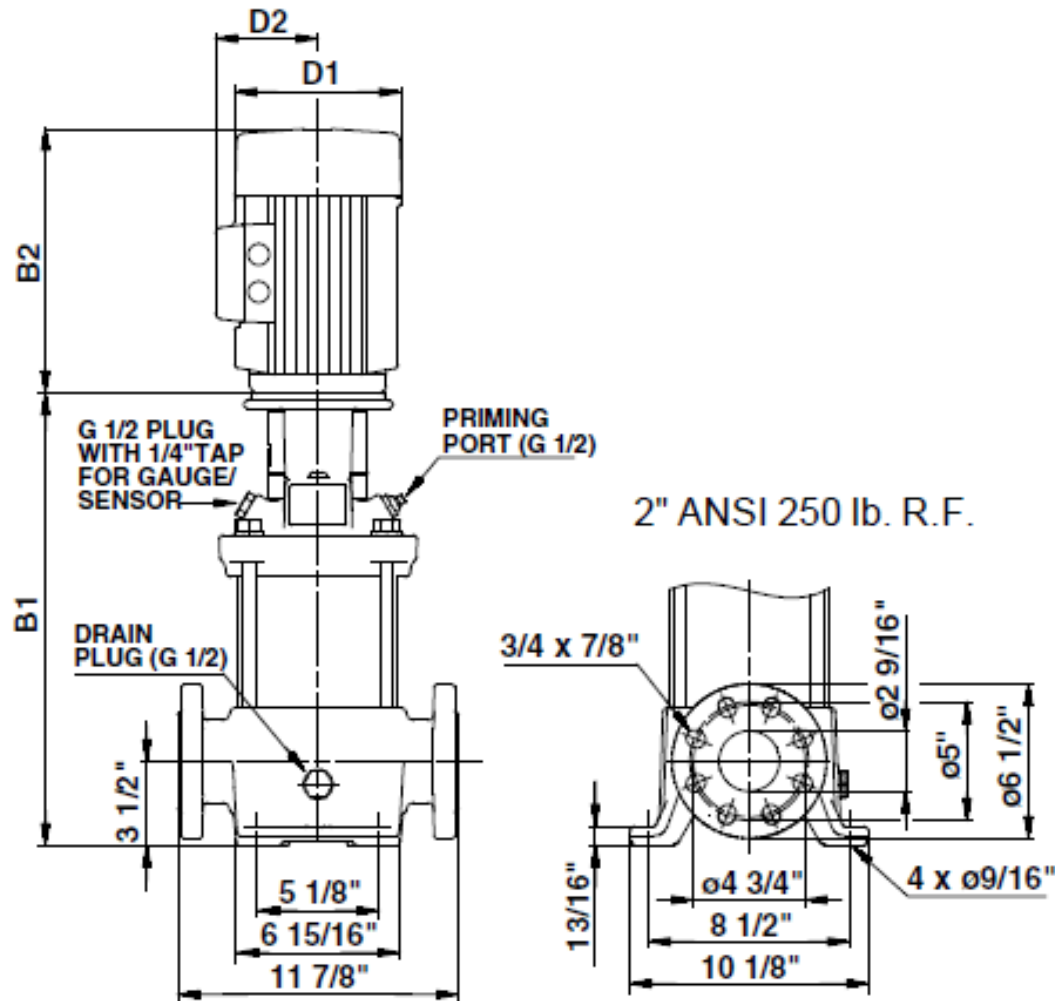
**CR 10-17**  
**3444 rpm**

Part Number 99917203

Conditions of Service		Pump Data		Motor Data	
Flow	56.44 USgpm	Stages	17	Motor HP	15 HP
Head	604.3 ft	Stages Reduced	0	BHP	12.35 HP
Liquid	Cold Water	Pipe Connection	ANSI Flanged	Enclosure	TEFC
Temperature	68.00 deg F	Efficiency	69.73 %	Voltage	208-230/460 V
NPSHr	10.46 ft	Suction	2 in.	Phase	3 Phase
Viscosity	1.00 cP	Discharge	2 in.	Cycle	60
Specific Gravity	1.000 SG	Shaft Seal Type	HQQE (EPDM)		
		NSF 61 Approval	Yes		
		PEI (CL)	0.87		
		ER (CL)	13		



**Grundfos Series CR - Multi-stage, Vertical In-Line Pump**



TM03 1461 2205

NOT FOR CONSTRUCTION, unless certified and referenced on order

Units	B1	B1 + B2	D1	D2	Weight
inches	37.80	56.60	13.18	9.45	370.4 lbs