

| | | |
|-----------------------|------------------------|-----------------|
| PROJECT: _____ | UNIT TAG: _____ | QUANTITY: _____ |
| REPRESENTATIVE: _____ | TYPE OF SERVICE: _____ | DATE: _____ |
| ENGINEER: _____ | SUBMITTED BY: _____ | DATE: _____ |
| CONTRACTOR: _____ | APPROVED BY: _____ | DATE: _____ |
| | ORDER NO.: _____ | DATE: _____ |

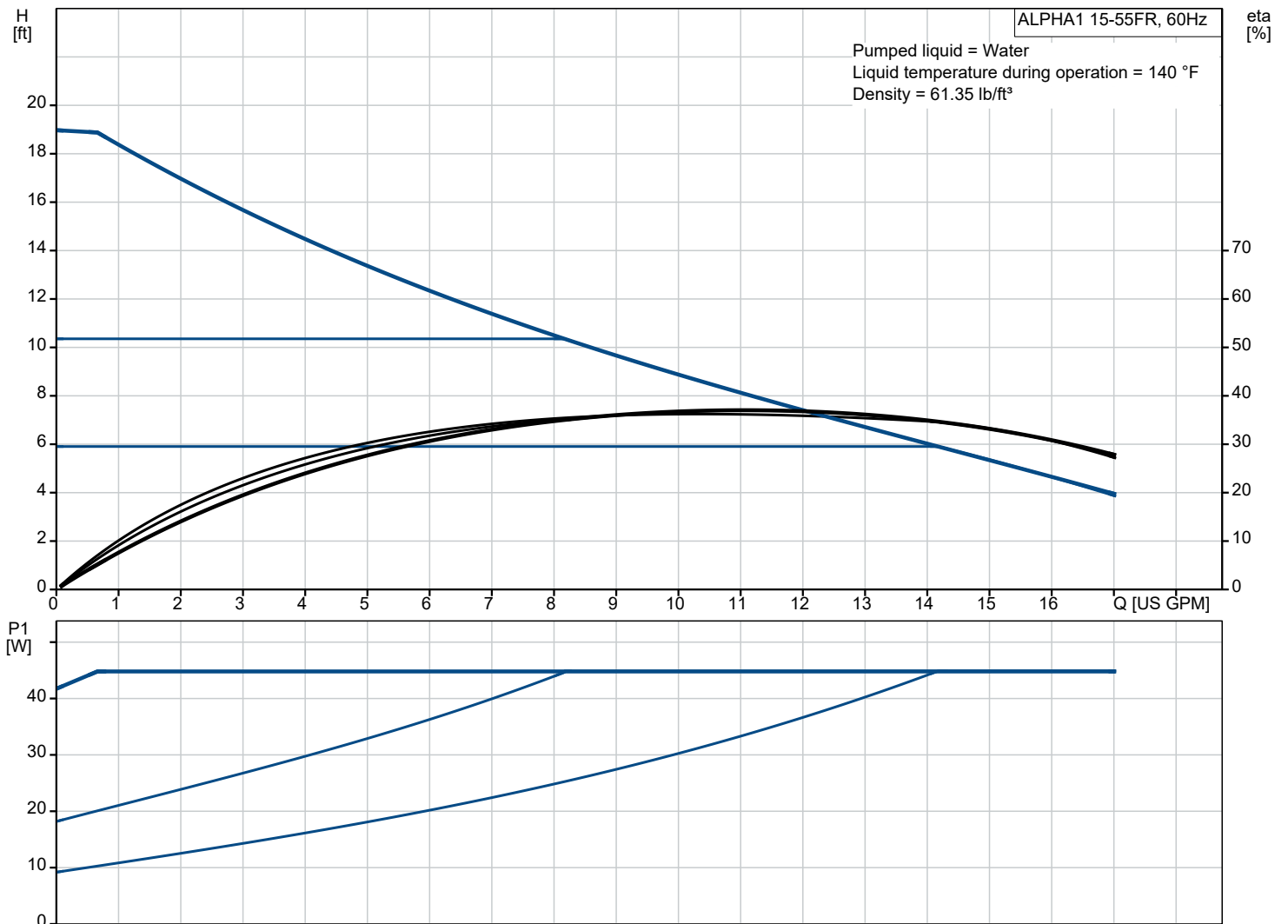


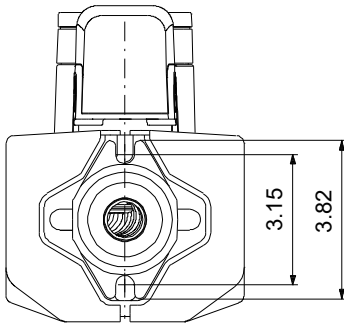
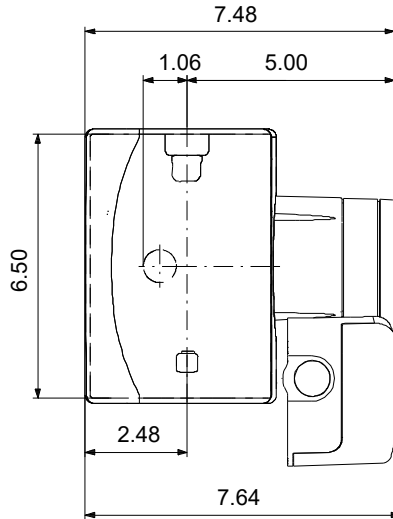
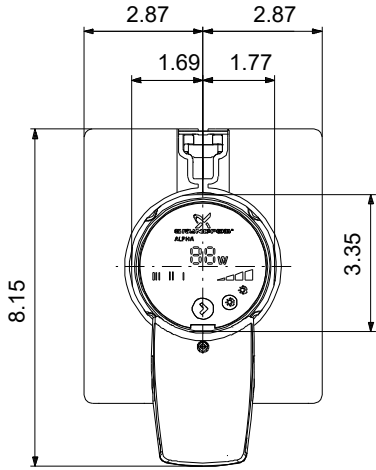
ALPHA1 15-55FR

ALPHA1 15-55 is a high-efficiency ECM variable speed circulator designed for a variety of heating applications. The pump features three constant-pressure control modes.

Note! Product picture may differ from actual product

| Conditions of Service | | Pump Data | | Motor Data | |
|-----------------------|--------|------------------------------|----------------|---------------------|-----------|
| Liquid: | Water | Maximum operating pressure: | 145.04 psi | P1 max: | 5 .. 45 W |
| Temperature: | 140 °F | Liquid temperature range: | 35.6 .. 230 °F | Rated voltage: | 115 V |
| Specific Gravity: | 0.985 | Maximum ambient temperature: | 104 °F | Mains frequency: | 60 Hz |
| | | Approvals: | ETL, FCC | Enclosure class: | IP42 |
| | | Pipe connection: | 1 1/2 | Insulation class: | F |
| | | Product number: | 99287259 | Motor protection: | NONE |
| | | | | Thermal protection: | ELEC |





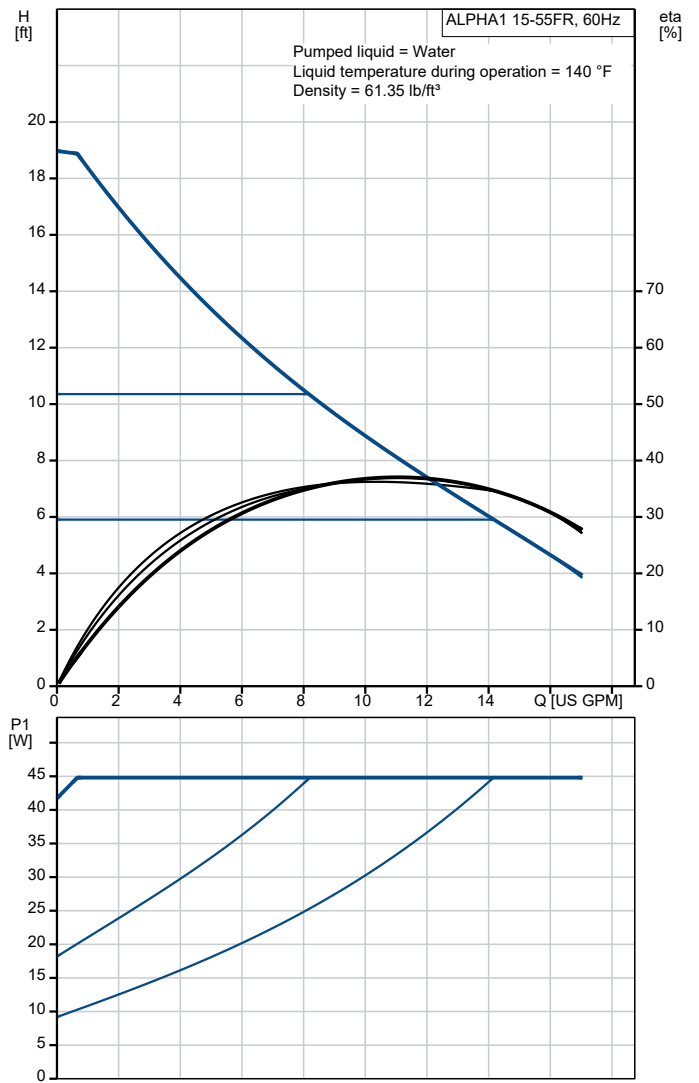
Materials:

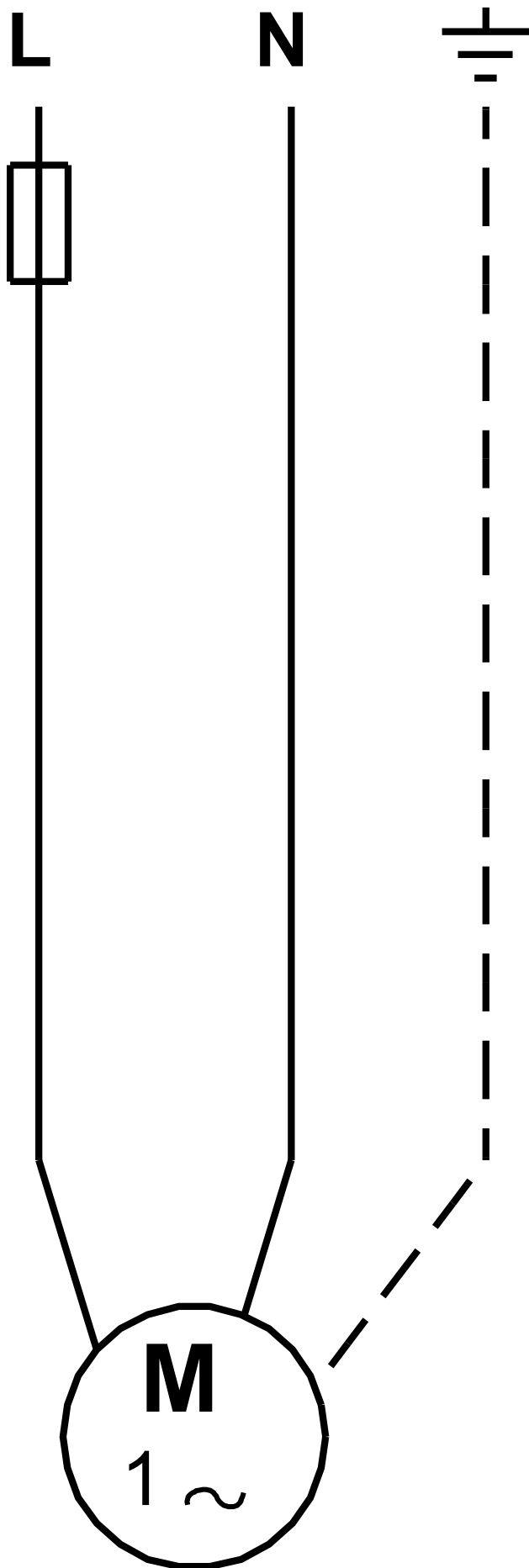
Pump housing: Cast iron

Pump housing: EN 1561 EN-GJL-150

Impeller: Composite

| Description | Value |
|-------------------------------|--------------------|
| General information: | |
| Product name: | ALPHA1 15-55FR |
| Product No: | 99287259 |
| EAN number: | 5713826610524 |
| Technical: | |
| Head max: | 18.05 ft |
| TF class: | 110 |
| Approvals on nameplate: | ETL, FCC |
| Materials: | |
| Pump housing: | Cast iron |
| Pump housing: | EN 1561 EN-GJL-150 |
| Impeller: | Composite |
| Installation: | |
| Range of ambient temperature: | 32 .. 104 °F |
| Maximum operating pressure: | 145.04 psi |
| Type of connection: | GF |
| Pipe connection: | 1 1/2 |
| Pressure rating: | PN 10 |
| Port-to-port length: | 6 1/2 in |
| Liquid: | |
| Pumped liquid: | Water |
| Liquid temperature range: | 35.6 .. 230 °F |
| Selected liquid temperature: | 140 °F |
| Density: | 61.35 lb/ft³ |
| Electrical data: | |
| Power input - P1: | 5 .. 45 W |
| Mains frequency: | 60 Hz |
| Rated voltage: | 1 x 115 V |
| Maximum current consumption: | 0.1 .. 0.65 A |
| Enclosure class (IEC 34-5): | IP42 |
| Insulation class (IEC 85): | F |
| Built-in motor protection: | NONE |
| Thermal protec: | ELEC |
| Controls: | |
| Pos term box: | 6H |
| Others: | |
| Net weight: | 6.32 lb |
| Gross weight: | 6.35 lb |
| Shipping volume: | 0.28 ft³ |
| Sales region: | USA |





Note! All units are in [in] unless others are stated.